

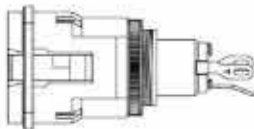
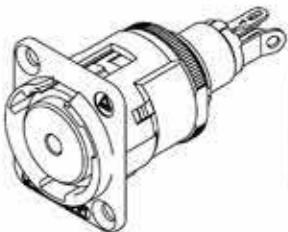
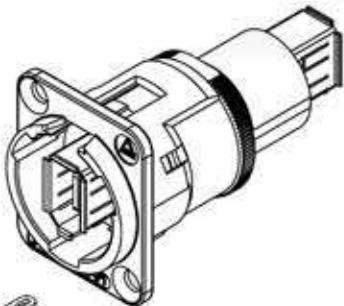
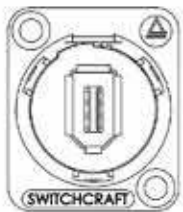


NEW PRODUCT BULLETIN 598

AUDIO, VIDEO, DATA
EH SERIES
CONNECTORS &
QG PANELS



20170424 update



Switchcraft®
Pro Audio

EMPTY Q-G® PANELS



QGPK1B440

Empty Q-G® Rack Panels	Rack Height	Number of Knockouts	Tapped 4-40 Holes
QGPK1B	1RU	1X16	NO
QGPK1B440	1RU	1X16	YES
QGPK2B	1.5RU	1X16	NO
QGPK2B440	1.5RU	1X16	YES
QGPK3B	2RU	2X16	NO
QGPK3B440	2RU	2X16	YES

Q-G® PANEL OPTIONS

NEW OPTION

Pre-loaded Q-G® Panels



New QGPK rack panels come pre-loaded with three configurations of the new premium Switchcraft DE-series XLR connectors. These three new panels sets provide a one-stop option for installers and sound contractors requiring fast access to all XLR panels. Panels still have tie bars to keep the back of the rack clean and dressed.

Pre-loaded Q-G® Panels	Rack Height	Connectors	Color
QGPK1DE16FB	1	16 New DE Series Female XLR Connectors	Black
QGPK1DE16MB	1	16 New DE Series Male XLR Connectors	Black
QGPK1DE8M8FB	1	8 New DE Series Male and 8 New DE Series Female XLR Connectors	Black

Hinged Q-G® Panel

NEW OPTION

The new QGPK1BF1 is a standard 16 knockout Q-G panel ready to load with needed EH connectors. However, this new model is hinged so all connections can be accessed easily from the front of the rack. Because of this configuration and being able to swing open the QGPK1BF1 does not have a tie-bar in the rear.



WP SERIES WALL PLATES



WP Series wall plates are the perfect solution for anyone requiring custom connector configurations on standard size wall plates. Options include single and double gang with 0, 1, 2, and 4 connector holes. Plates are available in brushed stainless steel or anodized black aluminum and with standard or tapped 4-40 connector mounting holes. Tapped mounting holes allow connectors to be screwed directly into the plate without the use of a nut (front mount only).

Part Number	Gang Size	Finish	EH Connector Holes	Connector Mounting Hole
WP1S	1	Stainless Steel	0	None
WP1S1	1	Stainless Steel	1	Ø0.138
WP1S1P	1	Stainless Steel	1	#4-40 Thread
WP1B1	1	Black Aluminum	1	Ø0.138
WP1B1P	1	Black Aluminum	1	#4-40 Thread
WP1S2	1	Stainless Steel	2	Ø0.138
WP1S2P	1	Stainless Steel	2	#4-40 Thread
WP1B2	1	Black Aluminum	2	Ø0.138
WP1B2P	1	Black Aluminum	2	#4-40 Thread
WP2S4	2	Stainless Steel	4	Ø0.138
WP2S4P	2	Stainless Steel	4	#4-40 Thread
WP2B4	2	Black Aluminum	4	Ø0.138
WP2B4P	2	Black Aluminum	4	#4-40 Thread

EH CONNECTORS



The EH Series is an extensive line of panel mount audio, video and data connectors used to create custom I/O panels and wall plates for A/V, pro audio, broadcast, mobile production and post production installations.

The easiest way to create custom I/O panels and wall plates

Compatible with Switchcraft® QGPK Series rack panels and WP Series wall plates

All connectors fit into a standard XLR panel cutout

Available in black or nickel finishes

Custom combinations of EH Series connectors can be quickly loaded into any of our 1RU (1x16), 1.5RU (1x16), or 2RU (2x16) QGPK Series panels

Available individually or bagged with mounting screws





Firewire 800



Firewire 400



USB (A to B)



USB (B to A)



F Type



Blank Hole Covers



9 Pin DSUB
(Female to Female)



9 Pin DSUB
(Male to Female)



15 Pin DSUB
(Female to Female)



15 Pin DSUB
(Male to Female)



XLR (3 Pin, Female, No Latch)



XLR (3 Pin, Female)



Fiber Optic (LC)



Fiber Optic (SC)



Fiber Optic (ST)



Fiber Optic (TOSLINK)



1/4" TS (Mono)



1/4" TRS (Stereo)



Switch (Momentary Pushbutton)



Switch (Toggle)



Switch (Rectangular Rocker)



HDMI* Style



PS/2 (6 Pin DIN)



S-Video (4 Pin DIN)



XLR (3 Pin Male)



XLR (3 Pin Gold, Male)



BNC



BNC to RCA



RCA to BNC



RCA to RCA



1/4" Locking TRS (Stereo)



3.5mm TRS (1/8" Stereo)



RJ45 (CAT 6)



RJ45 (CAT 6) Shielded



USB 3.0



Mini Display Port





DIN 1.0 / 2.3



Midi



Tini QG (3 Pin Female)

EH Series	Additional Features	Finish	Termination	Part Number	Bagged with 4-40 Mounting Screws
1/4" Locking TRS (Stereo)		Nickel	Solder Lug	E112BL	E112LPKG
		Black	Solder Lug	E112BLB	E112BLPKG
1/4" Locking TS (Mono)		Nickel	Solder Lug	E111L	E111LPKG
		Black	Solder Lug	E111BL	E111BLPKG
1/4" TRS (Stereo)		Nickel	Solder Lug	E12B	E12PKG
		Black	Solder Lug	E12BB	E12BPKG
1/4" TS (Mono)		Nickel	Solder Lug	E11	E11PKG
		Black	Solder Lug	E11B	E11BPKG
15-Pin DSUB (Female to Female)		Nickel	Feedthru	EHHD15FF	EHHD15FFPKG
		Black	Feedthru	EHHD15FFB	EHHD15FFBPKG
15-Pin DSUB (Male to Female)		Nickel	Feedthru	EHHD15MF	EHHD15MFPKG
		Black	Feedthru	EHHD15MFB	EHHD15MFBPKG
15-Pin DSUB (Male to Male)		Nickel	Feedthru	EHHD15MM	EHHD15MMPKG
		Black	Feedthru	EHHD15MMB	EHHD15MMBPKG
3.5MM TRS (1/8" Stereo)		Nickel	Solder Lug	EH35MMSSC	EH35MMSSCPKG
		Black	Solder Lug	EH35MMSSCB	EH35MMSSCBPKG
3.5MM TS (1/8" Mono)		Nickel	Solder Lug	EH35MMMISC	EH35MMMISCPKG
		Black	Solder Lug	EH35MMMISCB	EH35MMMISCBPKG
		Nickel	Feedthru	EH35MM2	EH35MM2PKG
		Black	Feedthru	EH35MM2B	EH35MM2BPKG
9-Pin DSUB (Female to Female)		Nickel	Feedthru	EHDB9FF	EHDB9FFPKG
		Black	Feedthru	EHDB9FFB	EHDB9FFBPKG
9-Pin DSUB (Male to Female)		Nickel	Feedthru	EHDB9MF	EHDB9MFPKG
		Black	Feedthru	EHDB9MFB	EHDB9MFBPKG
9-Pin DSUB (Male to Male)		Nickel	Feedthru	EHDB9MM	EHDB9MMPKG
		Black	Feedthru	EHDB9MMB	EHDB9MMBPKG
Blank Hole Covers	1 Space	Black	N/A	ECPPKG	ECPPKG
	2 Space	Black	N/A	ECP2PKG	ECP2PKG
	4 Space	Black	N/A	ECP4PKG	ECP4PKG
	8 Space	Black	N/A	ECP8PKG	ECP8PKG
BNC		Nickel	Feedthru	EBNC2	EBNC2PKG
		Black	Feedthru	EBNC2B	EBNC2BPKG
BNC (Recessed Front) to BNC		Nickel	Feedthru	EBNC2R	EBNC2RPKG
BNC (Recessed Front) to BNC		Black	Feedthru	EBNC2RB	EBNC2RBPKG



EH Series - (continued)	Additional Features	Finish	Termination	Part Number	Bagged with 4-40 Mounting Screws
BNC to RCA		Nickel	Feedthru	EHBNCRCA	EHBNCRCAPKG
		Black	Feedthru	EHBNCRCAB	EHBNCRCABPKG
BNC to Solder Lug		Nickel	Solder Lug	EHBNCSC	EHBNCSCPCKG
		Black	Solder Lug	EHBNCSCB	EHBNCSCBPKG
DIN 1.0 / 2.3		Nickel	Feedthru	EHDIN1023X2	EHDIN1023X2PKG
		Black	Feedthru	EHDIN1023X2B	EHDIN1023X2BPKG
Empty Housing	Female-No Latch	Nickel	N/A	EFDH	EFDHPKG
	Female-Latch	Nickel	N/A	EFH	EFHPKG
	Male-No Latch	Nickel	N/A	EMH	EMHPKG
	Female-No Latch	Black	N/A	EFDHB	EFDHBPKG
	Female-Latch	Black	N/A	EFHB	EFHBPKG
	Male-No Latch	Black	N/A	EMHB	EMHBPKG
F Type		Nickel	Feedthru	EHFF2	EHFF2PKG
		Black	Feedthru	EHFF2B	EHFF2BPKG
Fiber Optic (LC)	Singlemode	Black	Feedthru	EHLC2	EHLC2PKG
	Multimode	Black	Feedthru	EHLC2M	EHLC2MPKG
Fiber Optic (SC)	Singlemode	Black	Feedthru	EHSC2	EHSC2PKG
	Multimode	Black	Feedthru	EHSC2M	EHSC2MPKG
Fiber Optic (ST)	Singlemode	Nickel	Feedthru	EHST2	EHST2PKG
	Singlemode	Black	Feedthru	EHST2B	EHST2BPKG
	Multimode	Nickel	Feedthru	EHST2M	EHST2MPKG
	Multimode	Black	Feedthru	EHST2MB	EHST2MBPKG
Fiber Optic (TOSLINK)		Black	Feedthru	EHTL2	EHTL2PKG
Firewire 400		Nickel	Feedthru	EHFWX2	EHFWX2PKG
		Black	Feedthru	EHFWX2B	EHFWX2BPKG
Firewire 800		Nickel	Feedthru	EHF800X2	EHF800X2PKG
		Black	Feedthru	EHF800X2B	EHF800X2BPKG
HDMI* Style		Nickel	Feedthru	EHHDMI2	EHHDMI2PKG
		Black	Feedthru	EHHDMI2B	EHHDMI2BPKG
Midi Coupler		Nickel	Feedthru	EHMIDI2	EHMIDI2PKG
		Black	Feedthru	EHMIDI2B	EHMIDI2BPKG
Mini Display Port		Nickel	Feedthru	EHMDP2	EHMDP2PKG
PS/2 (6-Pin DIN)		Nickel	Feedthru	EH6MD2	EH6MD2PKG
		Black	Feedthru	EH6MD2B	EH6MD2BPKG
RCA Empty Housing for BP JJ Series Colored RCA Inserts		Nickel	N/A	EH1PKG	EH1PKG
		Black	N/A	EHB1PKG	EHB1PKG
RCA to BNC		Nickel	Feedthru	EHCABNC	EHCABNCPKG
		Black	Feedthru	EHCABNCB	EHCABNCBPKG
RCA to RCA		Nickel	Feedthru	EHRCA2	EHRCA2PKG
		Black	Feedthru	EHRCA2B	EHRCA2BPKG
RJ45 (CAT 5e)	Standard	Black	Feedthru	EHRJ45P5E	EHRJ45P5EPKG
	Shielded	Black	Feedthru	EHRJ45P5ES	EHRJ45P5ESPCKG



EH Series - (continued)	Additional Features	Finish	Termination	Part Number	Bagged with 4-40 Mounting Screws
RJ45 (CAT 5e) ADD ON	Standard	Black	IDC	EHRJ45P5EIDC	
	Shielded	Black	IDC	EHRJ45P5ESIDC	
RJ45 (CAT 6)	Standard	Black	Feedthru	EHRJ45P6	EHRJ45P6PKG
	Shielded	Black	Feedthru	EHRJ45P6S	EHRJ45P6SPKG
RJ45 (CAT 6) ADD ON	Standard	Black	IDC	EHRJ45P6IDC	
	Shielded	Black	IDC	EHRJ45P6SIDC	
RJ45 (CAT 6a)	Standard	Black	Feedthru	EHRJ45P6A	EHRJ45P6APKG
	Shielded	Black	Feedthru	EHRJ45P6AS	EHRJ45P6ASPKG
S-Video (4-Pin DIN)		Nickel	Feedthru	EHSVHS2	EHSVHS2PKG
		Black	Feedthru	EHSVHS2B	EHSVHS2BPKG
Switch (Momentary Pushbutton)	SPDT-Black Button	Nickel	Solder Lug	EHPBSMB	EHPBSMBPKG
	SPDT-Black Button	Black	Solder Lug	EHPNSMBB	EHPNSMBBPKG
	SPDT-Red Button	Nickel	Solder Lug	EHPBSMR	EHPBSMRPKG
	SPDT-Red Button	Black	Solder Lug	EHPBSMRB	EHPBSMRBPKG
Switch (Rectangular Rocker)	DPDT	Nickel	Solder Lug	EHRRSL	EHRRSLPKG
	DPDT	Black	Solder Lug	EHRRSLB	EHRRSLBPKG
Switch (Toggle)	DPDT	Nickel	Solder Lug	EHTSL	EHTSLPKG
	DPDT	Black	Solder Lug	EHTSLB	EHTSLBPKG
Tini QG (Female)	Silver Pins	Nickel	Solder Lug	EHT3F	EHT3FPKG
	Gold Pins	Nickel	Solder Lug	EHT3FAU	EHT3FAUPKG
	Silver Pins	Black	Solder Lug	EHT3FB	EHT3FBPKG
	Gold Pins	Black	Solder Lug	EHT3FBAU	EHT3FBAUPKG
	Silver Pins	Nickel	Solder Lug	EHT4F	EHT4FPKG
	Gold Pins	Nickel	Solder Lug	EHT4FAU	EHT4FAUPKG
	Silver Pins	Black	Solder Lug	EHT4FB	EHT4FBPKG
	Gold Pins	Black	Solder Lug	EHT4FBAU	EHT4FBAUPKG
	Silver Pins	Nickel	Solder Lug	EHT5F	EHT5FPKG
	Gold Pins	Nickel	Solder Lug	EHT5FAU	EHT5FAUPKG
	Silver Pins	Black	Solder Lug	EHT5FB	EHT5FBPKG
Gold Pins	Black	Solder Lug	EHT5FBAU	EHT5FBAUPKG	
Tini QG (Male)	Silver Pins	Nickel	Solder Lug	EHT3M	EHT3MPKG
	Gold Pins	Nickel	Solder Lug	EHT3MAU	EHT3MAUPKG
	Silver Pins	Black	Solder Lug	EHT3MB	EHT3MBPKG
	Gold Pins	Black	Solder Lug	EHT3MBAU	EHT3MBAUPKG
	Silver Pins	Nickel	Solder Lug	EHT4M	EHT4MPKG
	Silver Pins	Black	Solder Lug	EHT4MB	EHT4MBPKG
	Silver Pins	Nickel	Solder Lug	EHT5M	EHT5MPKG



EH Series - (continued)	Additional Features	Finish	Termination	Part Number	Bagged with 4-40 Mounting Screws
Tini QG (Male)	Gold Pins	Nickel	Solder Lug	EHT5MAU	EHT5MAUPKG
	Silver Pins	Black	Solder Lug	EHT5MB	EHT5MBPKG
	Gold Pins	Black	Solder Lug	EHT5MBAU	EHT5MBAUPKG
	Silver Pins	Nickel	Solder Lug	EHT6M	EHT6MPKG
	Silver Pins	Black	Solder Lug	EHT6MB	EHT6MBPKG
	Silver Pins	Nickel	Solder Lug	EHT7M	EHT7MPKG
	Gold Pins	Nickel	Solder Lug	EHT7MAU	EHT7MAUPKG
	Silver Pins	Black	Solder Lug	EHT7MB	EHT7MBPKG
	Gold Pins	Black	Solder Lug	EHT7MBAU	EHT7MBAUPKG
	Silver Pins	Nickel	Solder Lug	EHT8M	EHT8MPKG
USB 3.0		Black	Feedthru	EHUSB3ACAB	EHUSB3ACABPKG
		Black	Feedthru	EHUSB3CABA	EHUSB3CABAPKG
USB (A to A)		Black	Feedthru	EHUSBAABX	EHUSBAABXPKG
USB (A to B)		Nickel	Feedthru	EHUSBAB	EHUSBABPKG
		Black	Feedthru	EHUSBABB	EHUSBABBPKG
USB (B to A)		Nickel	Feedthru	EHUSBBA	EHUSBBAPKG
		Black	Feedthru	EHUSBBAB	EHUSBBABPKG
XLR (3-Pin Female)	Silver Pins	Nickel	Solder Lug	E3FSC	E3FSCPKG
	Gold Pins	Nickel	Solder Lug	E3FSCAU	E3FSCAUPKG
	Silver Pins	Black	Solder Lug	E3FSCB	E3FSCBPKG
	Gold Pins	Black	Solder Lug	E3FSCBAU	E3FSCBAUPKG
XLR (3-Pin Female-No Latch)	Silver Pins	Nickel	Solder Lug	E3FDSC	E3FDSCPKG
	Gold Pins	Nickel	Solder Lug	E3FDSCAU	E3FDSCAUPKG
	Silver Pins	Black	Solder Lug	E3FDSCB	E3FDSCBPKG
	Gold Pins	Black	Solder Lug	E3FDSCBAU	E3FDSCBAUPKG
XLR (3-Pin Female-Screw Terminals)	Silver Pins	Nickel	Screw Terminals	E3FSW	E3FSWPKG
	Gold Pins	Nickel	Screw Terminals	E3FAUSW	E3FAUSWPKG
	Silver Pins	Black	Screw Terminals	E3FBSW	E3FBSWPKG
	Gold Pins	Black	Screw Terminals	E3FBAUSW	E3FBAUSWPKG
XLR (3-Pin Male)	Silver Pins	Nickel	Solder Lug	E3MSC	E3MSCPKG
	Gold Pins	Nickel	Solder Lug	E3MSCAU	E3MSCAUPKG
	Silver Pins	Black	Solder Lug	E3MSCB	E3MSCBPKG
	Gold Pins	Black	Solder Lug	E3MSCBAU	E3MSCBAUPKG
XLR (3-Pin Male-Screw Terminals)	Silver Pins	Nickel	Screw Terminals	E3MSW	E3MSWPKG
	Gold Pins	Nickel	Screw Terminals	E3MAUSW	E3MAUSWPKG
	Silver Pins	Black	Screw Terminals	E3MBSW	E3MBSWPKG
	Gold Pins	Black	Screw Terminals	E3MBAUSW	E3MBAUSWPKG

XLR available in between 3-5 contacts. Consult factory for more information.

* HDMI is a registered trademark of HDMI Licensing, L.L.C. Corporation

