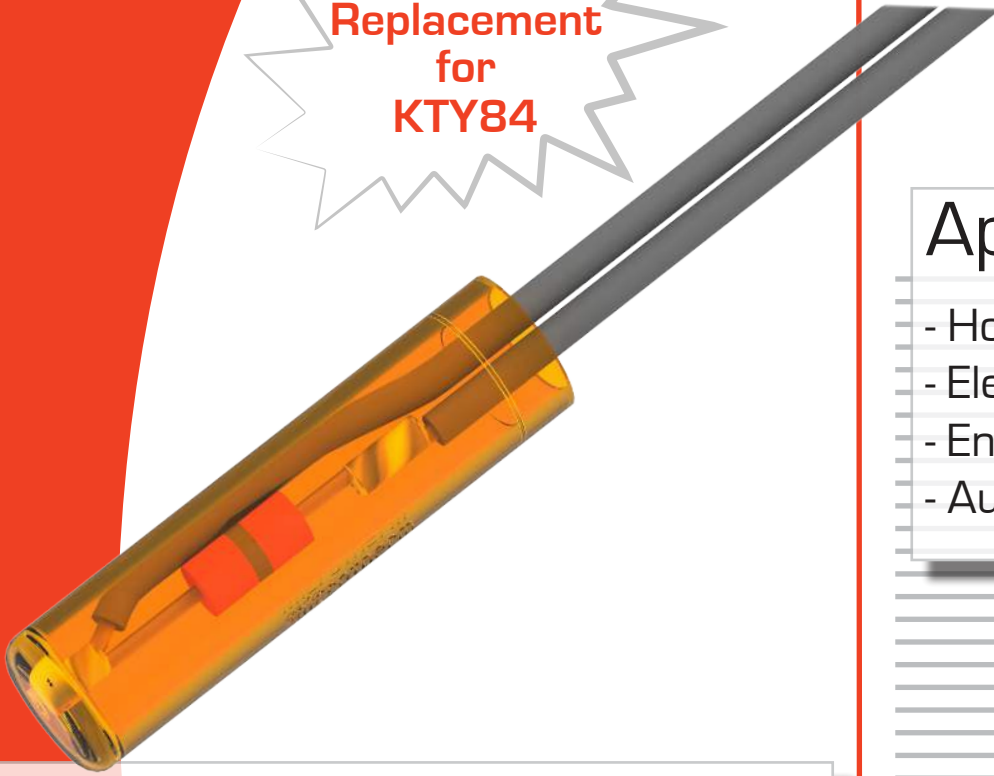


Temperature sensor

STS

Replacement
for
KTY84



Applications

- Household appliances
- Electronics
- Engineering
- Automotive

Benefits

- Temperatures from -40°C up to $+170^{\circ}\text{C}$
- Excellent long-term temperature stability
- High precision and reliability
- No polarity reversal (+/-) possible

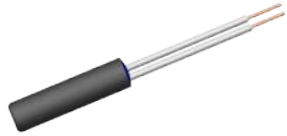
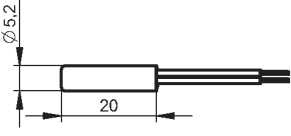

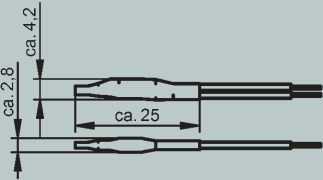

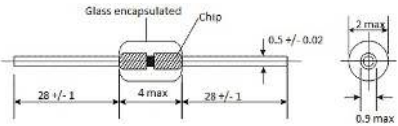


CANTHERM™

Technical data

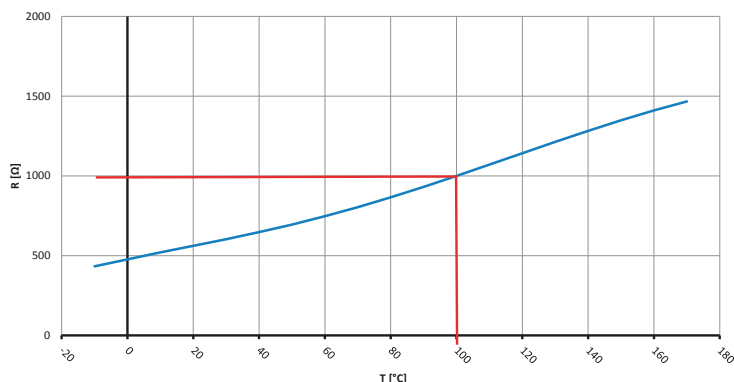
ratings	type	STS1
typ. resistance at 100°C (+-3%)		1000 Ω
operating temperature range		-40°C ... +170 (190)°C
min. insulation resistance (100 Vdc)		100 MΩ
operating current		1 mA
max. rated power		10 mW

Standard types

type execution	illustration	drawing dimensions (mm)	technical description
STS1 G918			housing PPS leads ETFE, AWG24, white
STS1 U129			shrink sleeve Kynar® leads ETFE, AWG24, white
STS1 CHIP			chip only no insulation, no leads

Temperature vs. resistance

T°C	-10	0	10	20	30	40	50	60	70	80	90	100	110	120	130	140	150	160	170
min.	411	454	495	536	578	620	668	720	776	836	902	970	1036	1105	1171	1234	1296	1354	1406
typ.	433	477	520	561	603	647	695	747	804	866	931	1000	1071	1142	1213	1282	1348	1410	1467
max.	455	500	544	586	628	674	722	774	832	895	961	1030	1105	1180	1255	1330	1400	1466	1529



Remark: Values of electric resistance correspond almost exactly to KTY84.
Above 170°C the sensor may lose its linearity.

Ordering example

STS1 1000 3 L360 500 G918

- Type of sensor
- R at 100°C
- Tolerance (%)
- Leads white, AWG24, ETFE
- Length of leads (+/- 10 mm)
- Housing number



CANTHERM™

Div. of Microtherm International Cooperation

Canadian Thermostats & Control Devices, Ltd.

8415 Mountain Sights Ave.
Montreal, Canada H4P 2B8

Tel: (514) 739-3274 Fax: (514) 739-2902

1 (800) 561-7207

WEBSITE: www.cantherm.com

E-Mail: sales@cantherm.com

