

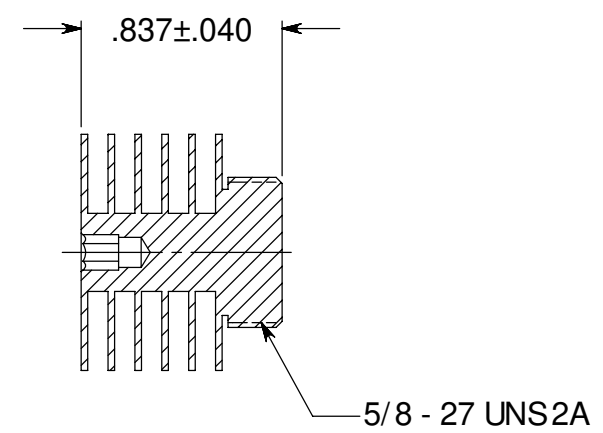
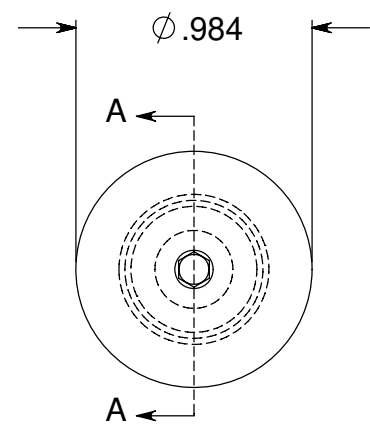
CONFIDENTIAL PROPERTY OF TYCO ELECTRONICS. NOT TO BE DISCLOSED TO OTHERS. REPRODUCED OR USED FOR ANY PURPOSES EXCEPT AS AUTHORIZED IN WRITING BY AN AUTHORIZED OFFICIAL OF TYCO. MUST BE RETURNED TO TYCO ON DEMAND, ON COMPLETION OF ORDERS OR OTHER PURPOSES FOR WHICH LENT.

REF PART NO:

REVISION(S)

LTR	DESCRIPTION	INIT	APP'D
A	NEW RELEASE	J.B 11/5/99	C.R 11/5/99
B	REMOVED COOL LINK	K.B 3/28/00	C.R 3/28/00
C	ECN: 0S60-0152-05	E.T 5/25/05	S.D 5/25/05
D	ECR-06-017154	E.T 7/14/06	V.K 7/14/06

CUSTOMER DRAWING



SECTION A-A

NOTES:

UNLESS OTHERWISE SPECIFIED

1. INTERPRET DRAWING PER ASME Y14.5M - 1994
2. RoHS COMPLIANT AND CERTIFIED.

P/N	FINISH
1542199-4	ANODIZE. BLACK SALEABLE PACKAGED VERSION

TOLERANCES UNLESS OTHERWISE SPECIFIED	CAD GENERATED DRAWING.		tyco / <i>Electronics</i> Attleboro Falls Massachusetts 02763			
ANGLES = ± 1°	DO NOT MANUALLY UPDATE		DESCRIPTION	HEATSINK (HTS488)		
FRACTIONS = ± .02	APPROVALS	DATE				
.XX = ± .010	DRAWN: KB	11/5/99	DIMENSIONS ARE IN INCHES	SCALE: 1.25:1	TYCO PART NO: SEE TABLE	SHEET: 1 OF 1
.XX X = ± .005	CHECKED: C.R	11/5/99				
MATERIAL: ALUM.	APP'D BY:		FINED ANGLE PROJECTION	SIZE: A	DWG. NO. C-1542199	REV: D
FINISH: SEE TABLE					PATH: N:_ENG\ PART NUMBERS\ HEAT SINK\ C-1542199	