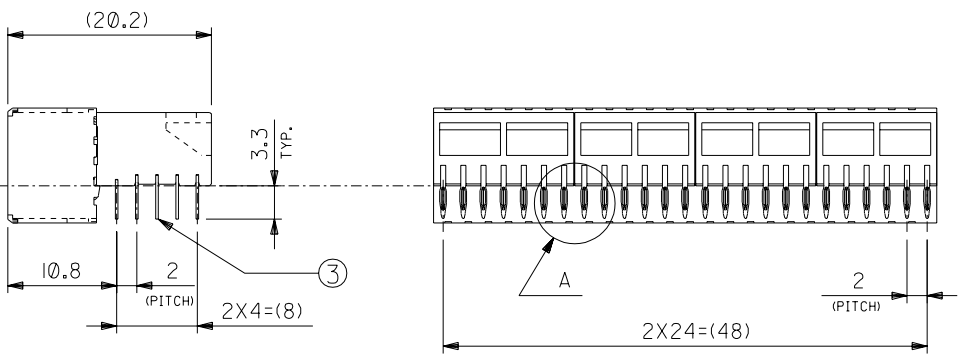


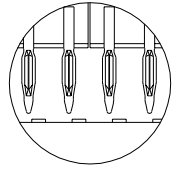
番号 No.	部品 PART NAME	材質 MATERIAL	仕上げ FINISH
①	リセプタクル ハウジング RECEPTACLE HOUSING	液晶ポリマー、ガラス充填、自然色(白)、UL94V-0 LCP, GLASS FILLED, NATURAL(WHITE), UL94V-0	—
②	リセプタクル カバー RECEPTACLE COVER	液晶ポリマー、ガラス充填、自然色(白)、UL94V-0 LCP, GLASS FILLED, NATURAL(WHITE), UL94V-0	—
③	リセプタクル ターミナル RECEPTACLE TERMINAL	りん青銅 PHOSHOR BRONZE	△1



注記
NOTES

- △1 ターミナルめっき仕様
TERMINAL PLATING
金めっき: 0.8 μm MIN.(接点部)
GOLD: 0.8 μm MIN. (CONTACT AREA)
半田めっき: 0.5 μm MIN.(プレスフィット部)
TIN-LEAD: 0.5 μm MIN. (PRESS-FIT AREA)
ニッケルめっき: 1.3 μm MIN.(下地めっき)
NICKEL: 1.3 μm MIN. (UNDER PLATING)
- △2 製品番号及びロットナンバー
MATERIAL NO. & LOT NO.

PRESS-FIT TAIL



DETAIL A
(SCALE:4-1)

DO NOT SCALE DRAWING

EC NO.	DRWN:	CHK:	APPR:	REV	DESCRIPTION	MATERIAL 材料	FINISH 仕上げ	WIRE RANGE 適用層被覆範囲	INS. RANGE 被覆外径
				C	REVISED J2002-2423 S.ANDO A.NODA A.NODA				
				B	REVISED JD2000-1248 S.HOSIKAWA A.NODA H.IKESUGI				
				A	RELEASED JD2000-0529 S.HOSIKAWA A.NODA H.IKESUGI				

GENERAL TOLERANCES: (UNLESS SPECIFIED) 一般公差		SCALE 2-1	DESIGN UNITS <input checked="" type="checkbox"/> mm <input type="checkbox"/> INCH	THIRD ANGLE PROJECTION <input checked="" type="checkbox"/> mm <input type="checkbox"/> INCH	SHT REV	REVISION CAD ONLY
10 UNDER 未満	±0.2	DRAWN BY & DATE <i>S. Hosikawa</i>		TITLE: "M2P" B/B CONN. RECEPTACLE R/A ASS'Y TYPE B		
10 OVER 以上	±0.25	CHECKED BY & DATE <i>A. Noda</i>		MOLEX MOLEX INCORPORATED		
30 OVER 以上	±0.3	APPROVED BY & DATE <i>A. Noda</i>		MATERIAL NO.	DRAWING NO.	SHEET NO.
ANGLE 角度	±3°	CAD FILENAME SD-54457-002.S01		SEE TABLE	SD-54457-002	1 OF 1
THIS DRAWING CONTAINS INFORMATION THAT IS PROPRIETARY TO MOLEX INCORPORATED AND SHOULD NOT BE USED WITHOUT WRITTEN PERMISSION.						

SD-54457-002.S01