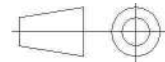
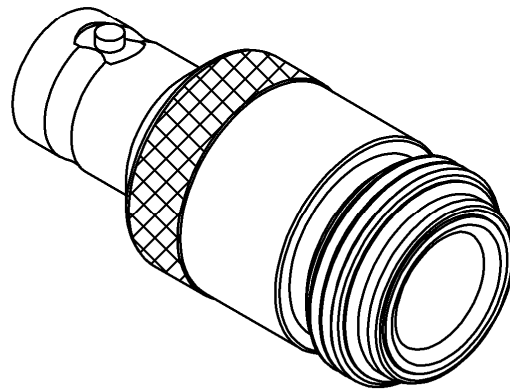
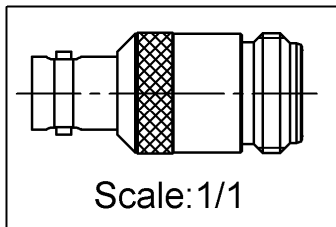
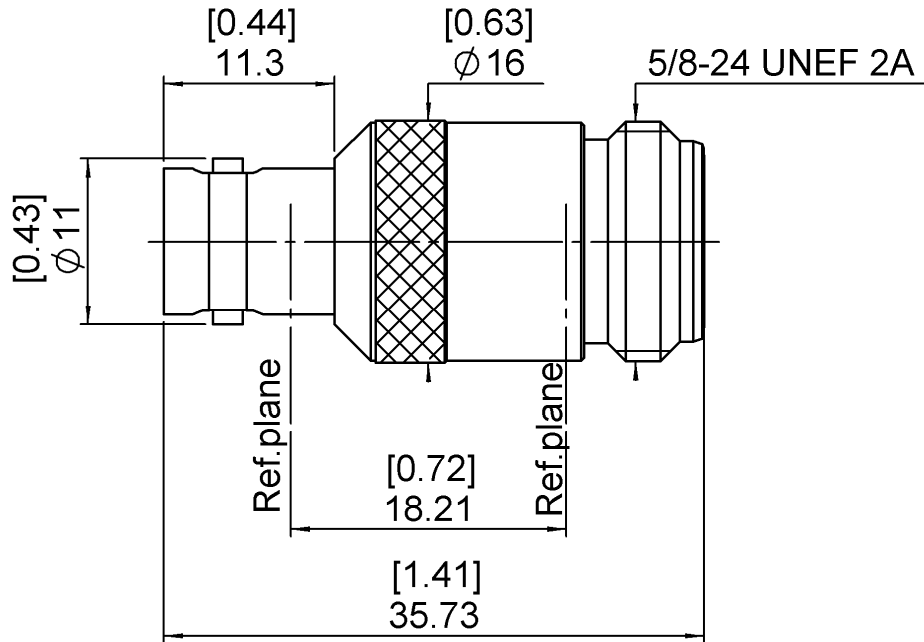


BNC 75 HDTV FEMALE-N FEMALE

R192.418.010

STRAIGHT ADAPTER

Série : ADAPTER 75



All dimensions are in mm.

COMPONENTS	MATERIALS	PLATING (μm)
BODY	BRASS	BBR2
CENTER CONTACT	BERYLLIUM COPPER	NPGR
OUTER CONTACT	BRASS	BBR2
INSULATOR	PTFE	
GASKET		
OTHERS PARTS		
-	-	-
-	-	-

Issue : 1147 A

In the effort to improve our products, we reserve the rights to make changes judged to be necessary.



BNC 75 HDTV FEMALE-N FEMALE

R192.418.010

STRAIGHT ADAPTER

Série : ADAPTER 75

PACKAGING

SPECIFICATION

Standard	Unit	Other
1	-	Contact us

ELECTRICAL CHARACTERISTICS

ENVIRONMENTAL

Impedance	75	Ω
Frequency	0-6	GHz
VSWR	1.03 + 0,0200	x F(GHz) Maxi
Insertion loss	0.1	\sqrt{F} (GHz) dB Maxi
RF leakage	- (55*	- F(GHz)) dB Maxi
Voltage rating	500	Veff Maxi
Dielectric withstanding voltage	1500	Veff mini
Insulation resistance	5000	M Ω mini

Operating	-65/+165	$^{\circ}$ C
Hermetic seal	NA	Atm.cm3/s
Panel leakage	NA	

MECHANICAL CHARACTERISTICS

OTHER CHARACTERISTICS

Center contact retention		
Axial force – Mating end	15	N mini
Axial force – Opposite end	15	N mini
Torque	NA	N.cm mini

*From 2 to 3 GHz

Recommended torque		
Mating	BNC 75 HDTV	0 N.cm
	N	0 N.cm
		0 N.cm
Panel nut	NA	N.cm

Mating life	500	Cycles mini
Weight	30,7000	g

Issue : 1147 A

In the effort to improve our products, we reserve the rights to make changes judged to be necessary.

