

LAYOUT SHOWN AS EXAMPLE

Keying Shown as example

CHARACTERISTICS

- Standard : Based on MIL-DTL-38999 Series III
- Shell Material : Composite
- Shell Plating : Without Plating
- Insulator : Thermoplastic
- Contacts : Copper Alloy
- Seals & Grommet : Silicon Elastomer
- Contact Plating : Gold over copper Alloy 0.8µm minimum
- Durability : 500 Mating cycles
- Delivered with Souriau contacts and Accessories
- Temperature Range : -65°C to +175°C
- Salt Spray : 2000 hours
- Mass : 9.4 g ± 10%

Connector dimension	
Dim	Nominal
P	3.25±0.2
PP	5.49±0.2
R1	18.26
R2	15.09
S	23.8±0.3
V	20.83+0/-1.25
W	2.1/2.5
Z	31.5 Max
VV THREAD	M12x1-6g

SOURIAU shall not be liable for any non-conformity or damage due to a use of the Products which does not comply with the Specifications issued by either of the Parties or by a third party (professional recommendation, technical notice.)

Country	Jurisdiction & Control List
FR	Not Listed

PN: 8D009X35SB

A	03-10-2016	First Release	
ISS	DATE	Latest modification - by	MOD N°
Designed By:		Date:	CUSTOMER DRAWING
TITLE	Composite Receptacle 8D series		
SCALE		General linear Tolerances: ±--	NPRDS / PROJECT 859
NA			This document is the property of SOURIAU it must not be reproduced or communicated without permission
SOURIAU	WWW.SOURIAU.COM		
FORMAT	SOURIAU DRG N° 8D009X35SB-C		SHEET 1/2

BASIC SERIES:	8D	0	-	09	X	35	S	B	ORIENTATION : B
SHELL TYPE :	Square Flange Receptacle								CONTACT TYPE : SOCKET(500 Matings)
CONTACT TYPE :	Standard Crimp Contact								CONTACT LAYOUT : 09-35
SHELL SIZE :	09								
PLATING :	X = Without Plating								

Contact Layout

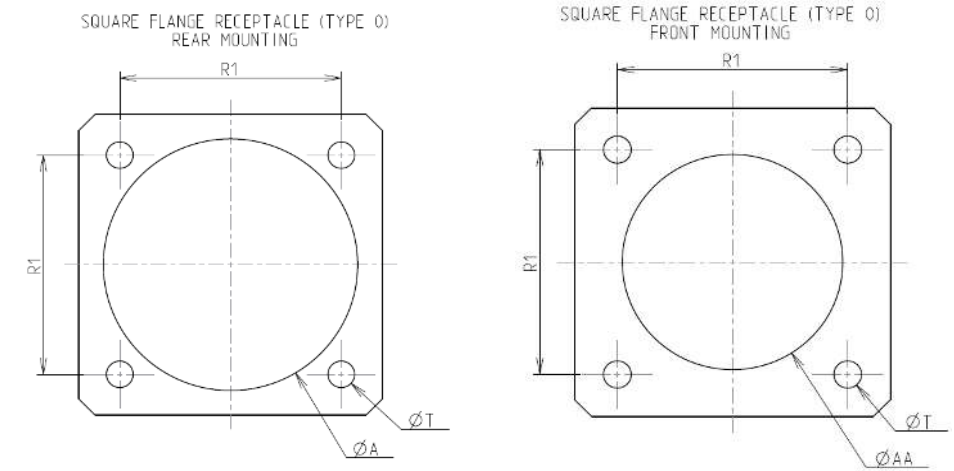


Contacts (Insert arrangement 9-35)		
Contact position ID	Contact location	
	X-axis (mm)	Y-axis (mm)
1	+045 (1.14)	+078 (1.98)
2	+078 (1.98)	-045 (1.14)
3	+000 (0.00)	-090 (2.29)
4	-078 (1.98)	-045 (1.14)
5	-045 (1.14)	+078 (1.98)
6	+000 (0.00)	+000 (0.00)

(Applicable to MIL-DTL-38999 and SAE-AS29600)

Shell size	Arrangement no.	Number of contacts	Size contacts	Service rating	Contact location	Supersedes
9	-35	6	22D	M	All	MS27525-35

Panel Cutout



Dim	Nominal
ØA	16.66 min
ØAA	13.11 min
R1	18.26
ØT	3.25 ±0.13

SOURIAU shall not be liable for any non-conformity or damage due to a use of the Products which does not comply with the Specifications issued by either of the Parties or by a third party (professional recommendation, technical notice.)

Country	Jurisdiction & Control List
FR	Not Listed

PN: 8D009X35SB

A	03-10-2016	First Release	
ISS	DATE	Latest modification - by	MOD N°
Designed By:		Date:	CUSTOMER DRAWING
TITLE	Composite Receptacle 8D series		
SCALE		General linear Tolerances:	NPRDS / PROJECT
NA		±--	859
SOURIAU	WWW.SOURIAU.COM		This document is the property of SOURIAU it must not be reproduced or communicated without permission
FORMAT	SOURIAU DRG N° 8D009X35SB-C		SHEET 2/2