

**THIS PRODUCT MANUFACTURED WITH LEAD-FREE PROCESSING**

**DESIGNED & DIMENSIONED IN MILLIMETERS [INCHES]**

DO NOT SCALE FROM THIS PRINT

TABLE 1			
ITEM	COMPONENT	-HF	-GF
1	SHELL	GRF7V-J-P-F-ST-TH1-SHL	
2	SOCKET	GRF7-J-P-H-ST-TH1-SKT	GRF7-J-P-G-ST-TH1-SKT
3	INSULATOR	GRF7-J-P-ST-INS	

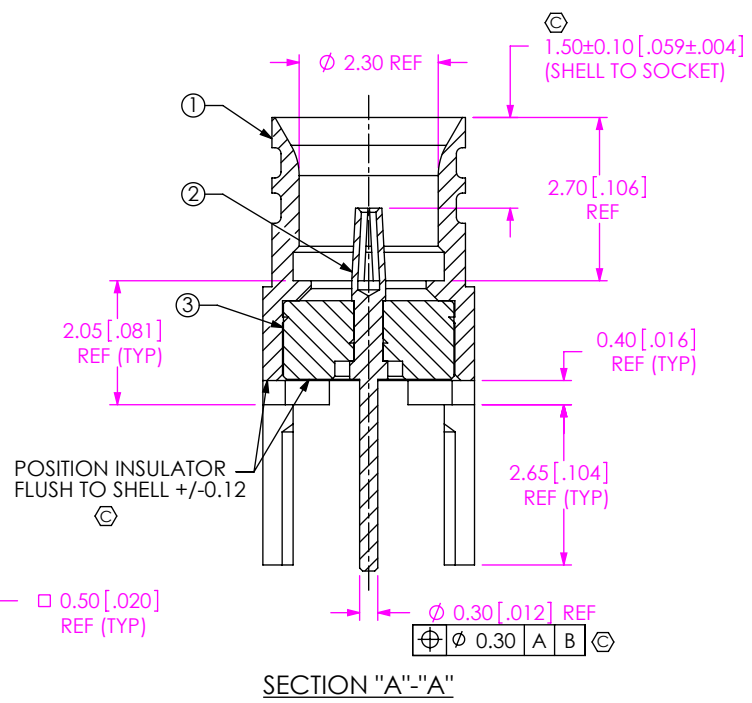
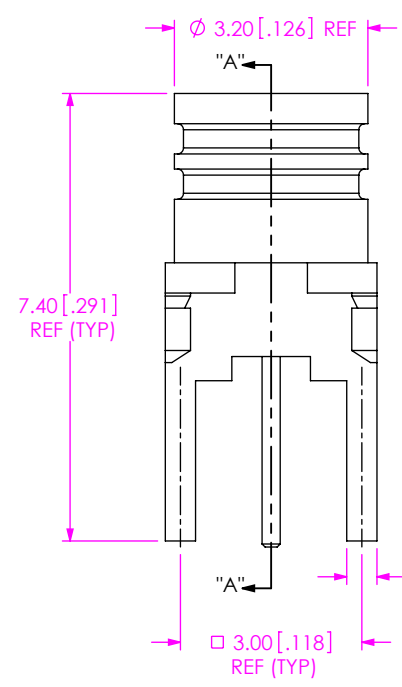
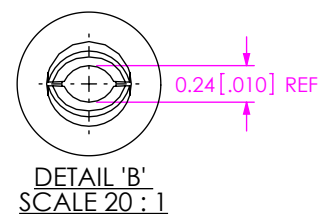
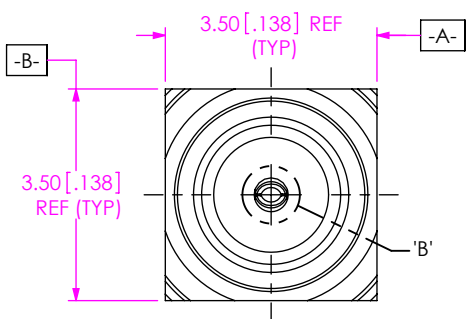


FIG 1  
MMCX7-J-P-XX-ST-TH1-ASM SHOWN

MMCX7-J-P-XX-ST-TH1

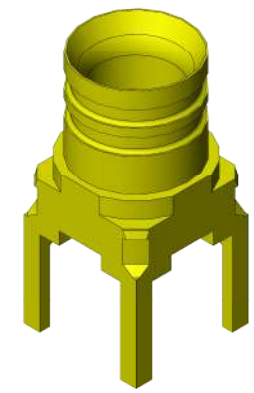
TERMINATION  
-TH1: THROUGH HOLE

ORIENTATION  
-ST: STRAIGHT

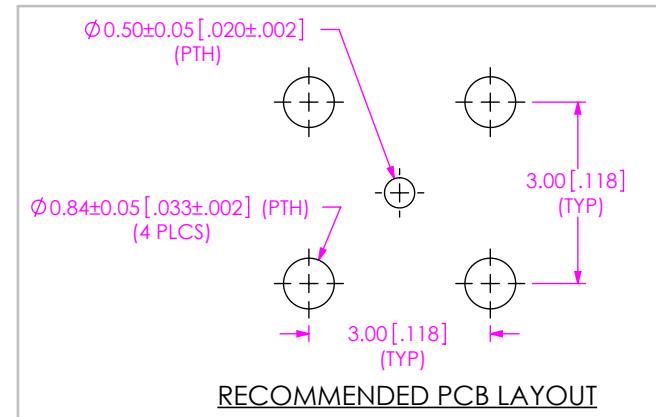
GENDER  
-J: JACK

PLATING SPECIFICATION  
-HF: 30µ" GOLD CENTER CONTACT,  
3µ" GOLD OUTER CONTACT  
-GF: 10µ" GOLD CENTER CONTACT,  
3µ" GOLD OUTER CONTACT  
(SEE TABLE 1)

TYPE  
-P: PCB



MMCX7-J-P-XX-ST-TH1-ASM SHOWN



NOTES:

1. Ⓢ REPRESENTS A CRITICAL DIMENSION.
2. MINIMUM PUSHOUT FORCE FOR INSULATOR: 22.24N [5.0 LBS].
3. MINIMUM PUSHOUT FORCE FOR CENTER CONTACT: 11.12N [2.5 LBS].
4. PRODUCT TO BE PACKAGED PER PACKING STANDARD CO-HD-WI-3040-M.  
TRAY: TY-SMA001-1  
COVER: TY-SMA001-2  
200 PARTS PER TRAY (2 PARTS PER POCKET)

F:\DWG\MISC\MKTG\MMCX7-J-P-XX-ST-TH1-MKT.SLDDRW

UNLESS OTHERWISE SPECIFIED, DIMENSIONS ARE IN MILLIMETERS [INCHES].

TOLERANCES ARE:  
DECIMALS ANGLES  
X.X: ±0.3 [.01] 5°  
X.XX: ±0.13 [.005]  
X.XXX: ±0.051 [.0020]

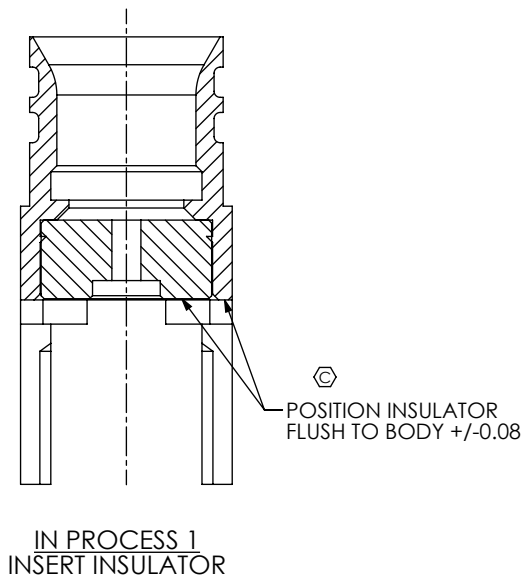
PROPRIETARY NOTE  
THIS DOCUMENT CONTAINS INFORMATION CONFIDENTIAL AND PROPRIETARY TO SAMTEC, INC. AND SHALL NOT BE REPRODUCED OR TRANSFERRED TO OTHER DOCUMENTS OR DISCLOSED TO OTHERS OR USED FOR ANY PURPOSE OTHER THAN THAT WHICH IT WAS OBTAINED WITHOUT THE EXPRESSED WRITTEN CONSENT OF SAMTEC, INC.

MATERIAL: DO NOT SCALE DRAWING SHEET SCALE: 8:1  
SHELL: BRASS  
SOCKET: BeCu  
INSULATOR: PTFE



520 PARK EAST BLVD. NEW ALBANY, IN 47150  
PHONE: 812-944-6733 FAX: 812-948-5047  
e-Mail info@SAMTEC.com code 55322

DESCRIPTION:  
MMCX STRAIGHT THROUGH HOLE, JACK- 75 OHM  
DWG. NO.  
**MMCX7-J-P-XX-ST-TH1**  
BY: ALVINW 10/08/2011 SHEET 1 OF 2



PROPRIETARY NOTE

THIS DOCUMENT CONTAINS INFORMATION  
CONFIDENTIAL AND PROPRIETARY TO  
SAMTEC, INC. AND SHALL NOT BE REPRODUCED  
OR TRANSFERRED TO OTHER DOCUMENTS OR  
DISCLOSED TO OTHERS OR USED FOR ANY  
PURPOSE OTHER THAN THAT WHICH IT WAS  
OBTAINED WITHOUT THE EXPRESSED WRITTEN  
CONSENT OF SAMTEC, INC.

DO NOT SCALE DRAWING

SHEET SCALE: 8:1

**samtec**

520 PARK EAST BLVD, NEW ALBANY, IN 47150  
PHONE: 812-944-6733 FAX: 812-948-5047  
e-Mail info@SAMTEC.com code 55322

DESCRIPTION:  
MMCX STRAIGHT THROUGH HOLE, JACK- 75 OHM

DWG. NO. **MMCX7-J-P-XX-ST-TH1**

BY: ALVINW 10/08/2011 SHEET 2 OF 2