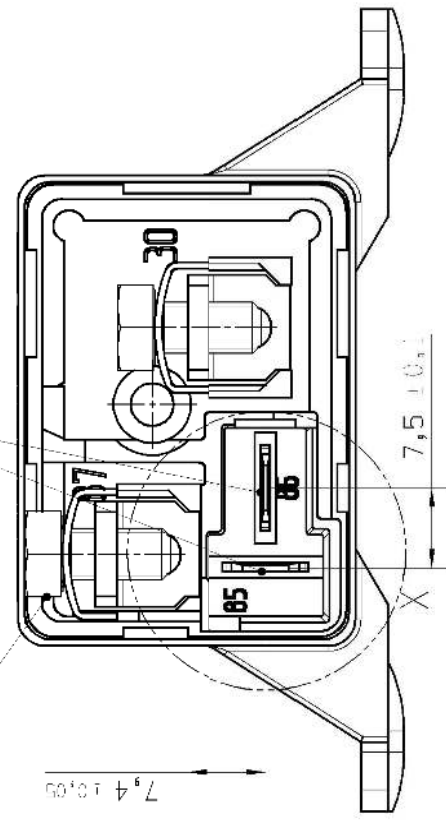
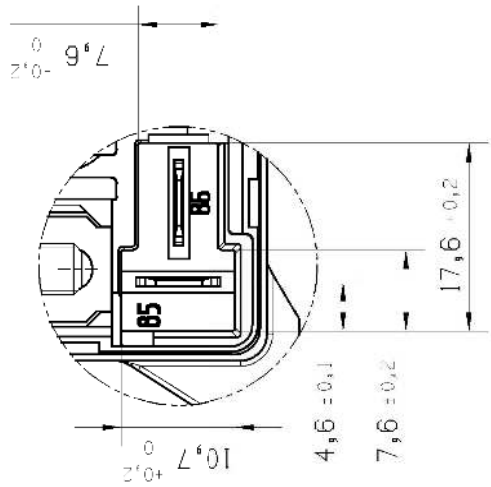


SCREW CONNECTORS M5
 $M_A \leq 2,8 \text{ Nm}$

BLADE TERMINALS DIN46244-A6,3-0,8-MS

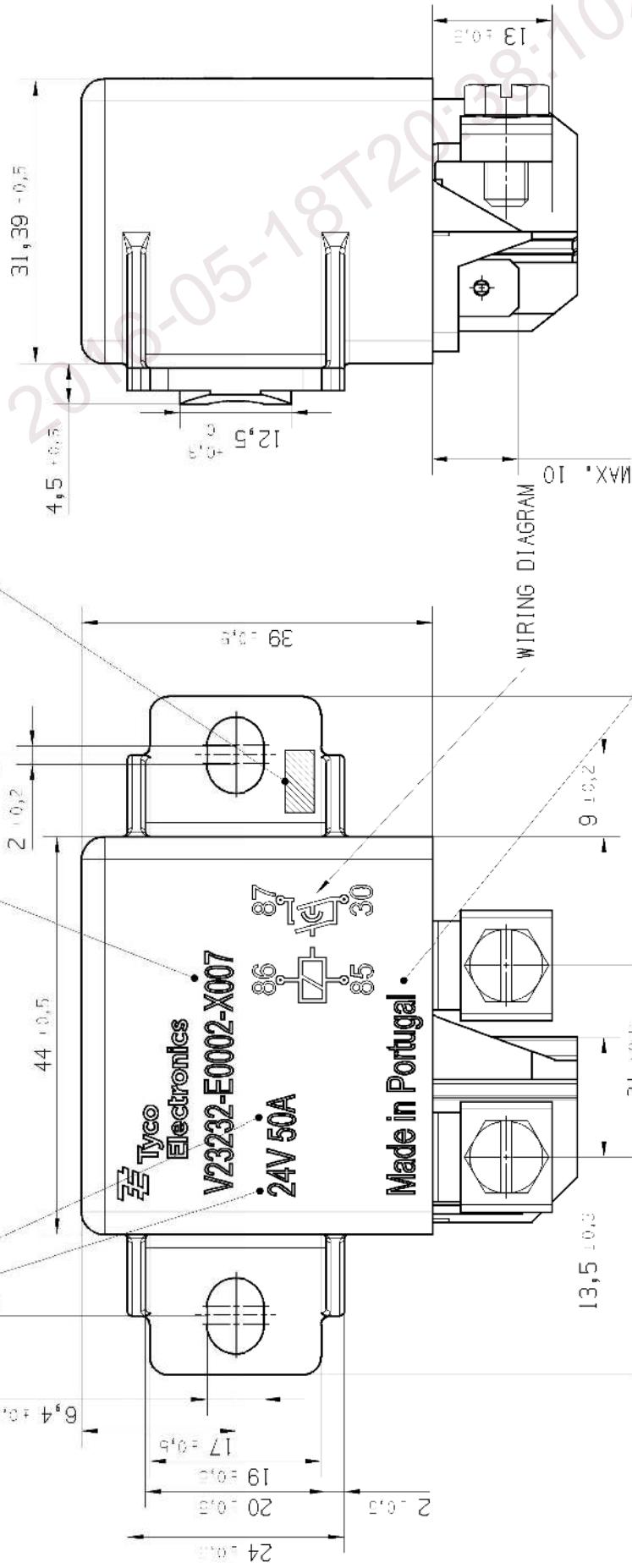
DETAIL X
 SCALE 2:1



NOM. LOADING
 NOM. VOLTAGE

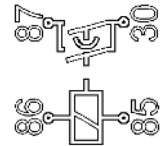
PART NO.

DATE OF MANUFACTURE
 OPTIONAL ON
 COVER OR BASE



TORQUE FOR SREW
 $M_A \leq 5,5 \text{ Nm}$

WIRING DIAGRAM



1) Slotted hexagon head screws according DIN 9335Z; ISO 4017

WE RESERVE THE RIGHT TO MAKE ALTERATIONS IN DESIGNATIONS

DEGREE OF PROTECTION GROUP ACC. IEC, = DIN 40 050 TEIL 9
 TERMINALS : IP00
 HOUSING : IP54

MATERIAL: BASE
 PA 6.6 GF 30±10 [%]
 COVER
 PA 6.6 GF 30±10 [%]

BOSCH P/N	TE	P/N	P/N STATUS	PART NUMBER
0 332 002 250	0-1904002-2	Active		
	1-1904002-2	Obsolete		V23232-E0002-X007
	2-1904002-2	Obsolete		

PROPRIETARY
 ALL DIMENSIONS UNLESS OTHERWISE SPECIFIED ARE IN MILLIMETERS
 CUSTOMER'S NOT RESPONSIBLE FOR ANY DAMAGE TO THE PRODUCT OR TO THE DRAWING
 RIGHTS RESERVED BY REGISTERED PATENT HOLDER IN THE U.S.A. AND IN OTHER COUNTRIES
 MODEL 23 000000, 000000, 000000

APPLICABLE SPEC.:
 I FINISH
 DIMENSIONS APPLY
 SCALE 2:1
 MATERIAL
 PLATING
 WEIGHT APP. 85g
 PAPER SIZE A2

REV.	CHANGE	REP.	DATE	APP.	CLASS
1			01/06/2007	Inf	3

IMPACT CLASS	SPALLS	IMPACT	IMPACT	IMPACT
IMPACT CLASS	SPALLS	IMPACT	IMPACT	IMPACT

DATE	NAME	PART NAME
DATE	NAME	PART NAME

REV.	DATE	APP.	CLASS
REV.	DATE	APP.	CLASS

REV.	DATE	APP.	CLASS
REV.	DATE	APP.	CLASS

REV.	DATE	APP.	CLASS
REV.	DATE	APP.	CLASS

REV.	DATE	APP.	CLASS
REV.	DATE	APP.	CLASS

REV.	DATE	APP.	CLASS
REV.	DATE	APP.	CLASS

REV.	DATE	APP.	CLASS
REV.	DATE	APP.	CLASS

POWER RELAY
 24V 50A

PART NO.
 V23232-E0002-X007

SHT.
 1 OF 1

CUSTOMER DRAWING

CUSTOMER DRAWING

STE
 connectivity

STE
 connectivity

STE
 connectivity

STE
 connectivity

STE
 connectivity

STE
 connectivity

STE
 connectivity

STE
 connectivity

STE
 connectivity

STE
 connectivity

STE
 connectivity

STE
 connectivity

STE
 connectivity

STE
 connectivity

STE
 connectivity

STE
 connectivity

STE
 connectivity

STE
 connectivity

STE
 connectivity

STE
 connectivity

STE
 connectivity

STE
 connectivity

STE
 connectivity

STE
 connectivity

STE
 connectivity

STE
 connectivity

STE
 connectivity

STE
 connectivity

STE
 connectivity

STE
 connectivity

STE
 connectivity

STE
 connectivity

STE
 connectivity

STE
 connectivity

STE
 connectivity

STE
 connectivity

STE
 connectivity

STE
 connectivity

STE
 connectivity

STE
 connectivity

STE
 connectivity

STE
 connectivity

STE
 connectivity

STE
 connectivity

STE
 connectivity

STE
 connectivity

STE
 connectivity

STE
 connectivity

STE
 connectivity

STE
 connectivity