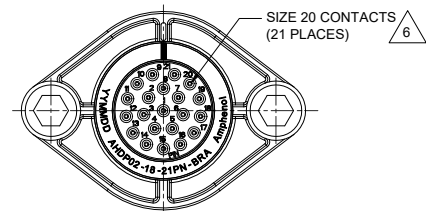


M5X0.8-6H 8mm(2X) DEEP
THREADED INSERT

RECOMMENDED TORQUE
VALUES: 1.9-2.2 N.m

REVISIONS					
REV	ECO	DESCRIPTION	DATE	BY	APPR
A1	-	RELEASE NEW DRAWING	20/APR/22	MILO	TOMMY

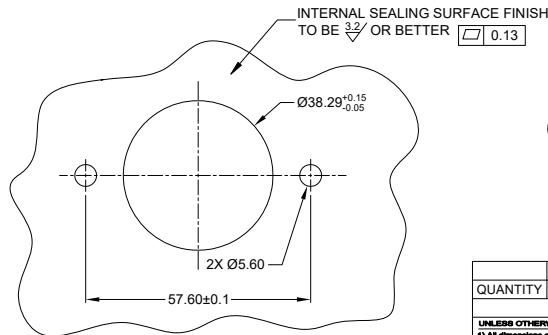


NOTES: UNLESS OTHERWISE SPECIFIED

- MATERIAL:
HOUSING: THERMOPLASTIC; BLACK
SEAL: SILICONE RUBBER
THREADED INSERT: STAINLESS STEEL
- MODIFICATIONS: BACKSHELL RING ADAPTER (BRA);
STANDARD DIA. WIRE SEAL;
SEALED PANEL MOUNT
- SPECIFICATIONS:
3.1 OPERATING TEMPERATURE: -55°C TO +125°C.
3.2 DIELECTRIC WITHSTANDING VOLTAGE: LESS THAN 2
MILLIAMPS CURRENT LEAKAGE @ 1500 VOLTS AC.
3.3 INSULATION RESISTANCE: 1000 MEGOHM MIN @ 25°C.
3.4 MOISTURE RESISTANCE:
IP68(IM OF WATER FOR A PERIOD OF 24 HOURS, MATED
CONDITION);
IP69K (MATED CONDITION)
3.5 MATING CYCLE DURABILITY: 100 CYCLES
3.6 RoHS COMPLIANT
- MATING PART: AHPD06-18-21S* (* = SEAL TYPE)
- ALL DIMENSIONS ARE FOR REFERENCE USE ONLY.

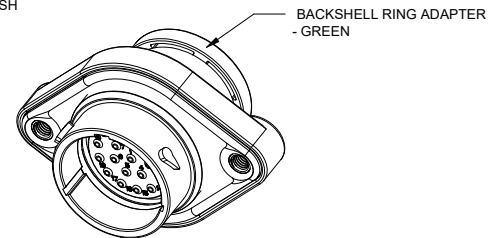
6 CONTACT SIZE AND WIRE RANGE:

CONTACT SIZE	MIN. INSUL O.D.	MAX. INSUL O.D.	TYPICAL WIRE RANGE	CURRENT RATING
20	1.02 mm (.040 in)	2.41 mm (.095 in)	16-22 AWG (1.5-0.35mm ²)	7.5 AMPS



RECOMMENDED PANEL
MOUNTING HOLE

RECOMMENDED PANEL
THICKNESS: 1.6 TO 4.7MM



QUANTITY	AHPD02-18-21PN-BRA	PART NUMBER	DESCRIPTION	ITEM
MATERIALS LIST				
<p>UNLESS OTHERWISE SPECIFIED:</p> <p>1) All dimensions are in metric/mm. 2) Tolerances are as follows: 1 PL DEC ±0.30 Fractions ±1/64 3 PL DEC ±0.15 Angles ±1°</p> <p>3) Note reference = 6</p>				
<p>MATERIAL SPECIFICATIONS:</p> <p>WEIGHT: 53.7g</p>		<p>SIGNATURES: DATE</p> <p>DRAWN: MILO 20/APR/22</p> <p>CHECKED: SULEH 21/APR/22</p> <p>ENGINEER:</p> <p>APPROVAL: TOMMY 22/APR/22</p>		
<p>PROCESS SPECIFICATIONS:</p>		<p>CUSTOMER:</p> <p>THIS DRAWING IS SUPPLIED FOR INFORMATION ONLY. DESIGN FEATURES, SPECIFICATIONS AND PERFORMANCE DATA SHOWN HEREON ARE THE PROPERTY OF AMPHENOL CORPORATION. NO RIGHTS OF REPRODUCTION ARE IMPLIED. ALL DIMENSIONS ARE SUBJECT TO NORMAL MANUFACTURING VARIATIONS.</p>		
<p>NEXT ASSY:</p>		<p>Amphenol</p> <p>Sine Systems - www.amphenol-sine.com 44724 Morley Drive Clinton Township, MI 48036</p> <p>21POS, RECEPT, PIN, PANELMATE AHPD SIZE 18, NORMAL SEAL, BRA</p>		
<p>SCALE: NONE</p>		<p>DWG NO: AHPD02-18-21PN-BRA</p> <p>REV: A1</p> <p>SHEET 1 OF 1</p>		

TITLE: 21POS, RECEPT, PIN, PANELMATE AHPD SIZE 18, NORMAL SEAL, BRA
 DWG NO: AHPD02-18-21PN-BRA
 REV: A1
 SH: 1
 OF: 1