

THIS DRAWING IS UNPUBLISHED.

RELEASED FOR PUBLICATION

© COPYRIGHT - By -

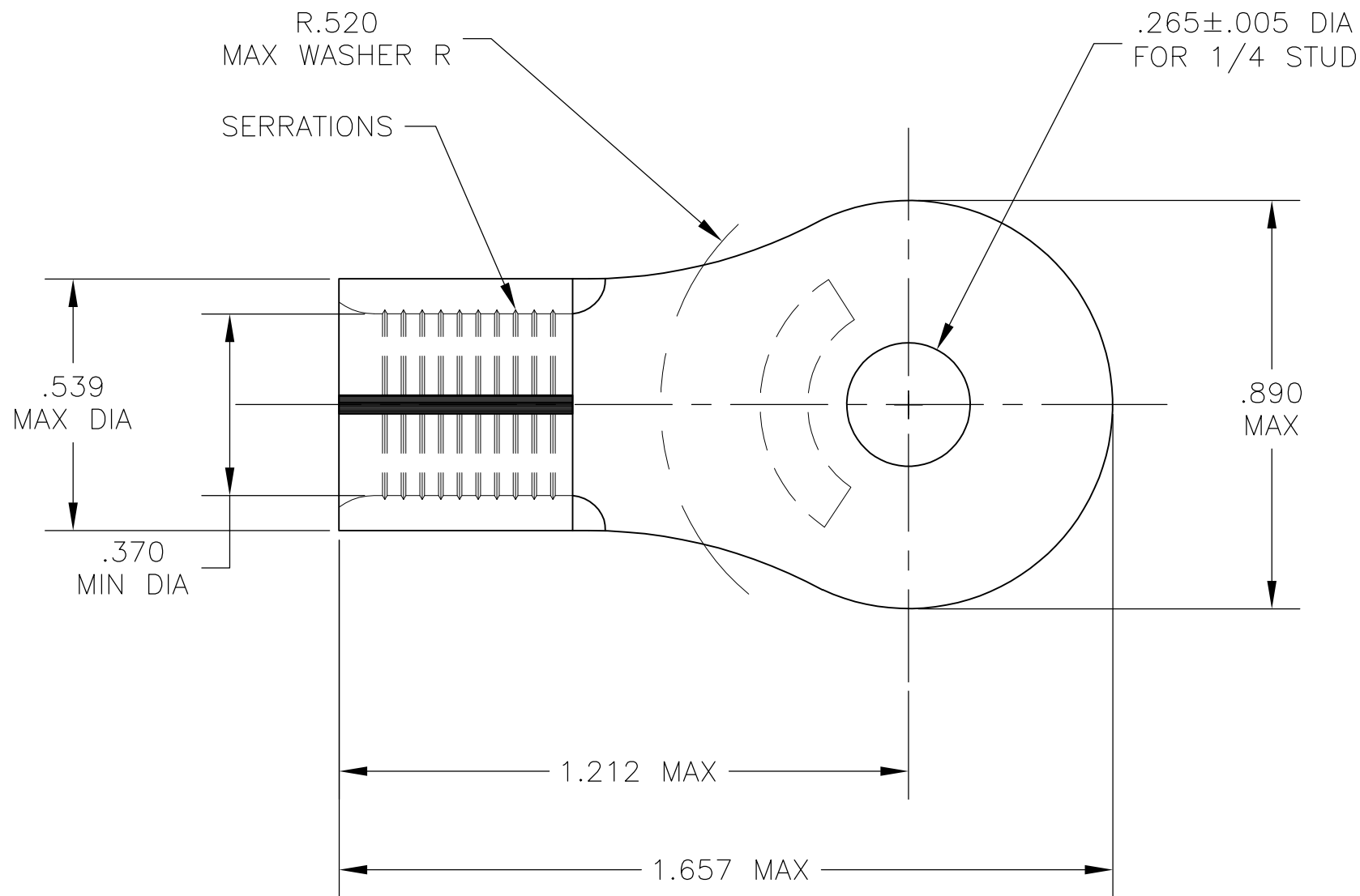
ALL RIGHTS RESERVED.

LOC
G

DIST
14

REVISIONS

P	LTR	DESCRIPTION	DATE	DWN	APVD
	F1	REVISED PER ECO-15-006978	08JUN2015	NK	MM



- 1 TONGUE MATERIAL THK IS .070±.003.
- △2 COPPER PER ASTM B152.
- △3 TIN PLATE PER ASTM B545, ANNEALED.

1	WIRE TERMINAL	320138
QTY	DESCRIPTION	PART NO

THIS DRAWING IS A CONTROLLED DOCUMENT.		DWN jr_ruth 25MAY04												
DIMENSIONS: INCHES		CHK MJ SPICER 25MAY04												
TOLERANCES UNLESS OTHERWISE SPECIFIED:		APVD MJ SPICER 25MAY04												
<table border="0"> <tr><td>0 PLC</td><td>± -</td></tr> <tr><td>1 PLC</td><td>± -</td></tr> <tr><td>2 PLC</td><td>± -</td></tr> <tr><td>3 PLC</td><td>± .008</td></tr> <tr><td>4 PLC</td><td>± -</td></tr> <tr><td>ANGLES</td><td>± 5°</td></tr> </table>		0 PLC	± -	1 PLC	± -	2 PLC	± -	3 PLC	± .008	4 PLC	± -	ANGLES	± 5°	PRODUCT SPEC -
0 PLC	± -													
1 PLC	± -													
2 PLC	± -													
3 PLC	± .008													
4 PLC	± -													
ANGLES	± 5°													
MATERIAL		APPLICATION SPEC -												
FINISH		WEIGHT -												

STE TE Connectivity			
NAME WIRE TERMINAL SOLISTRAND - RING TONGUE WIRE SIZE: #2			
SIZE	CAGE CODE	DRAWING NO	RESTRICTED TO
A3	00779	C-320138	-
CUSTOMER DRAWING		SCALE 3:1	SHEET 1 OF 1
		REV F1	