

THIS DRAWING IS UNPUBLISHED. RELEASED FOR PUBLICATION  
 © COPYRIGHT 19 BY AMP INCORPORATED. ALL RIGHTS RESERVED.

PART NUMBER	KEYING TYPE	
501798-1	A	
501798-2	B	
501798-3	M	
501798-4	S	
501798-5	A	2
501798-6	B	2
501798-7	M	2
501798-8	S	2
501798-9	A	SUPERSEDED BY 501798-1
1-501798-0	B	SUPERSEDED BY 501798-2

LOC	DIST	REVISIONS			
P	LTR	DESCRIPTION	DATE	DWN	APVD
CE	16				
		REVISED PER EC 0A00-0524-96	24APR97	TG	KM

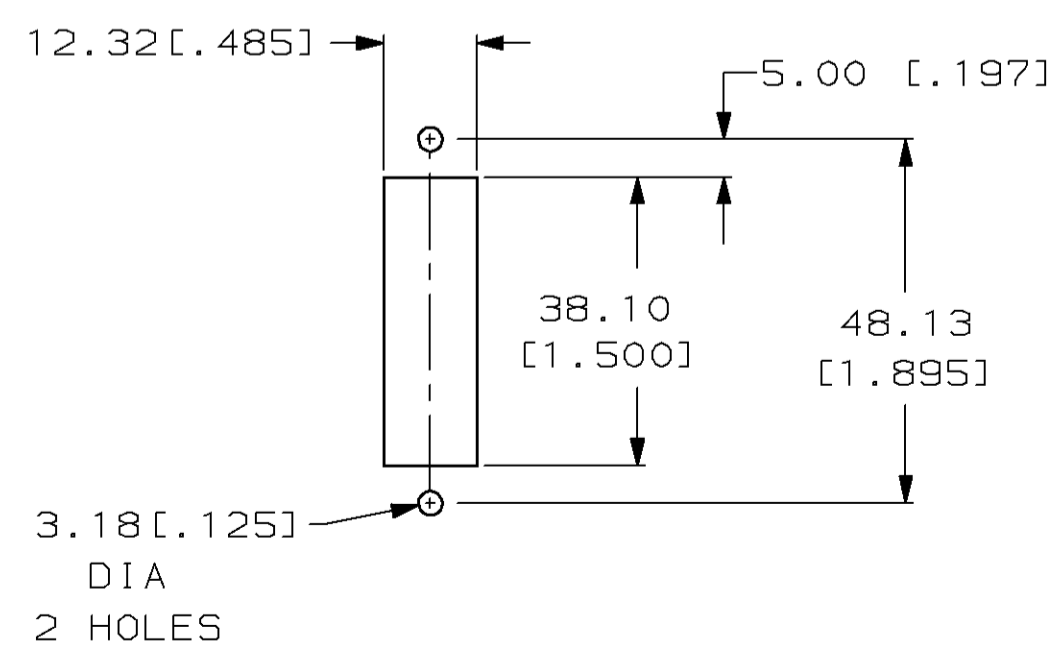
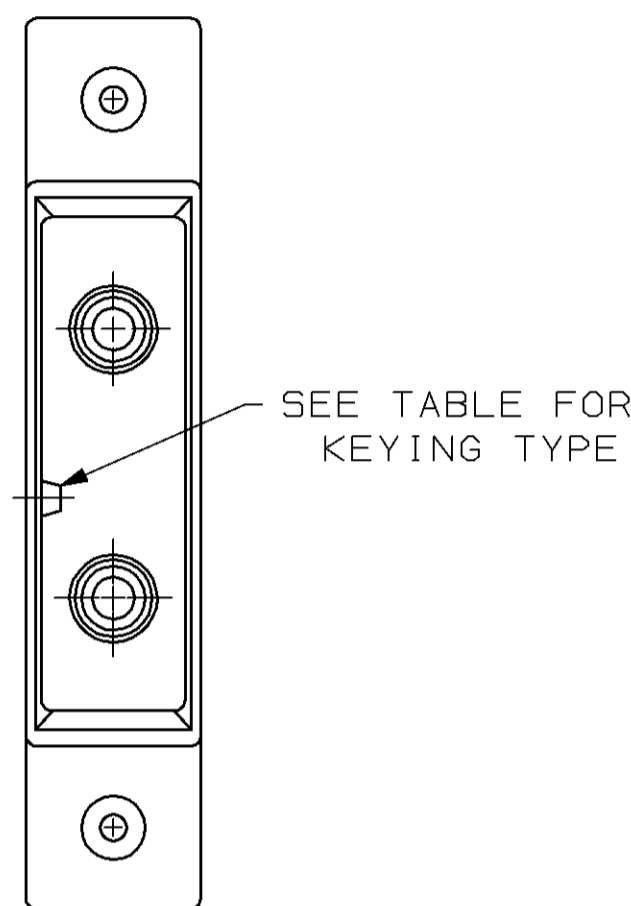
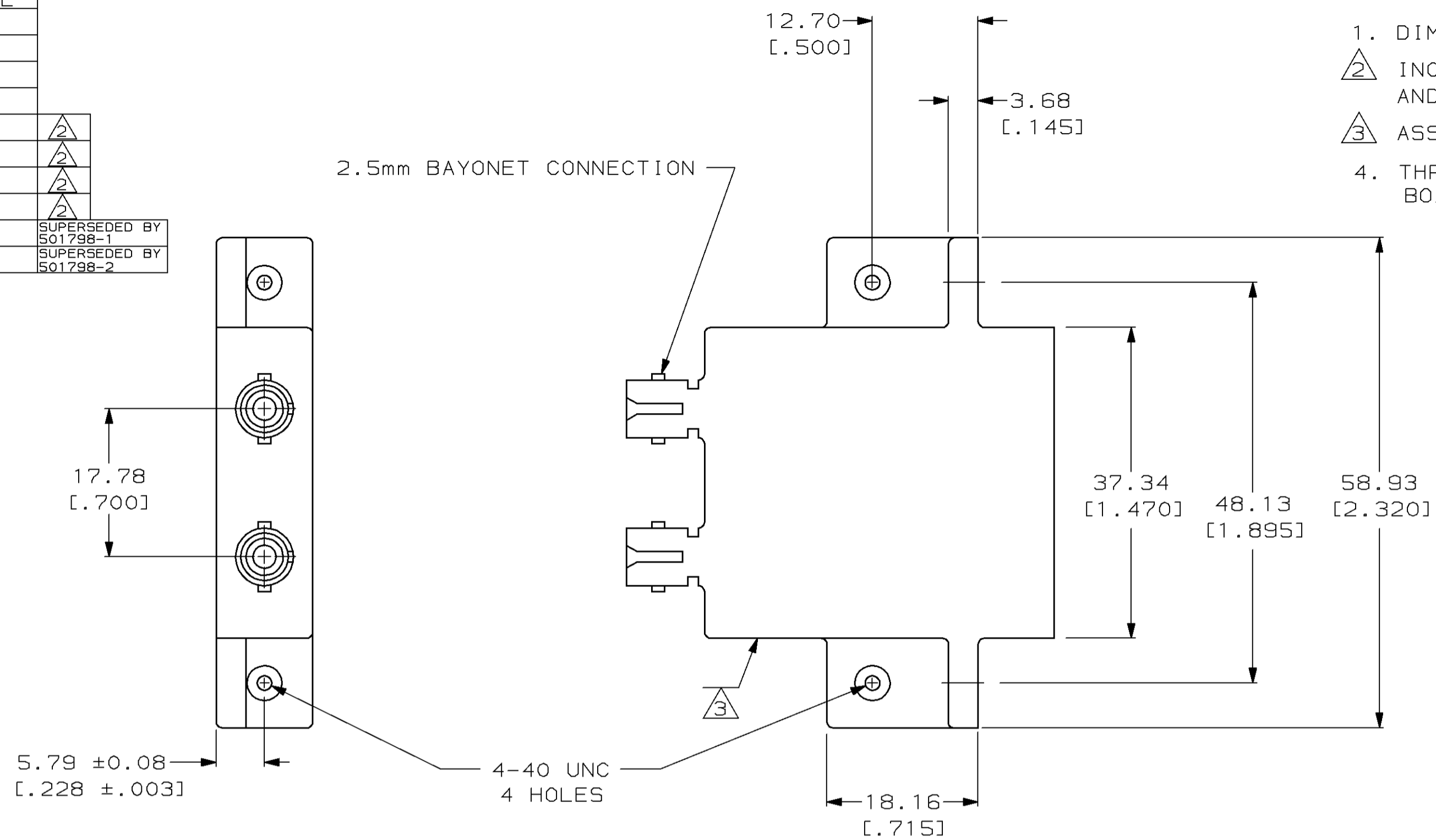
1. DIMENSIONS IN [ ] ARE IN INCHES.
2. INCLUDES FSD DUST COVER WITH STRAP AND TWO BAYONET DUST COVERS.
3. ASSEMBLY COLOR IS BEIGE.
4. THREADED INSERTS INSTALLED IN BOTH PANEL AND BOARD MOUNTING EARS.

D

C

B

A



SUGGESTED MOUNTING PATTERN

RESTRICTED RELEASE  
 DRAWING MAY CHANGE WITHOUT  
 CUSTOMER NOTIFICATION

THIS DRAWING IS A CONTROLLED DOCUMENT.		DWN D. KNOWLDEN 4-23-88	AMP Incorporated Harrisburg, PA 17105-3608
DIMENSIONS: mm		CHK B. BRIGGS 4-23-88	
TOLERANCES UNLESS OTHERWISE SPECIFIED:		APVD D. THOMPSON 4-23-88	NAME PLASTIC FSD TO 2.5mm BAYONET ASSEMBLY, WITH #4-40 THREADED INSERTS, AMP FSD
0 PLC ±- 1 PLC ±- 2 PLC ±0.13 [.005] 3 PLC ±- 4 PLC ±- ANGLES ±- FINISH -		PRODUCT SPEC -	SIZE A2
MATERIAL PBT MOLDING COMPOUND		APPLICATION SPEC -	CAGE CODE 00779
		WEIGHT -	DRAWING NO 501798
		CUSTOMER DRAWING	RESTRICTED TO -
		SCALE 2:1	SHEET 1 OF 1
			REV N

501798