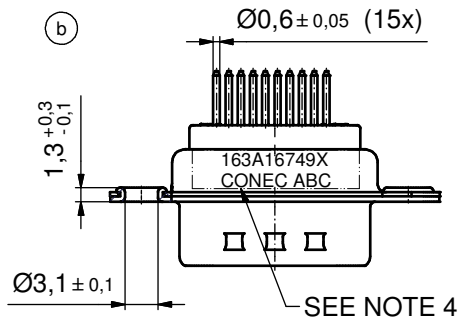
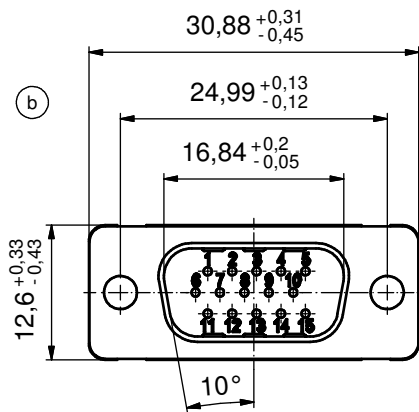
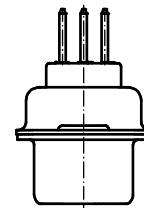
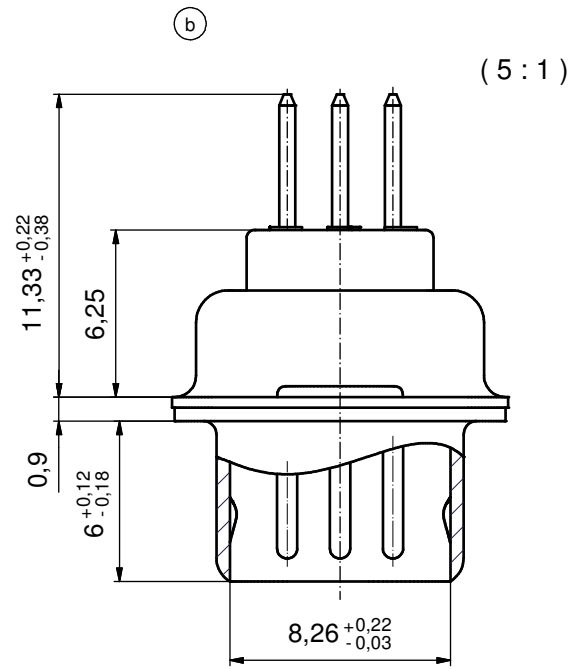


P.C.B. HOLE DRILLINGS  
(P.C.B. TOP SIDE)

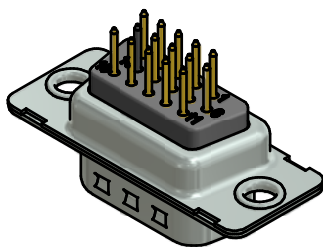


SEE NOTE 4



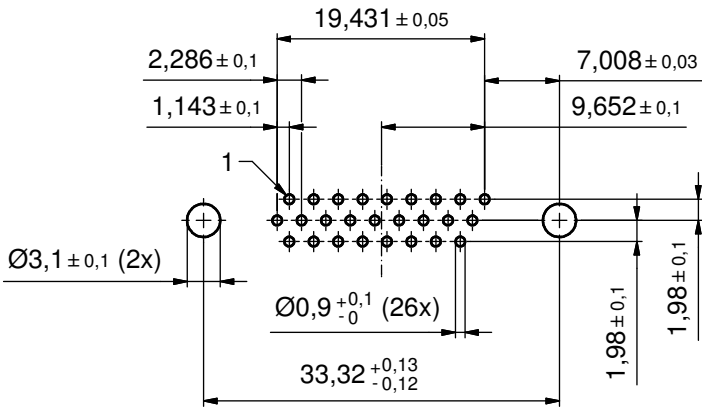
NOTES:

1. METALSHELLS: STEEL; min. 315µin TIN over 40-80µin NICKEL
2. INSULATORS: PBT GF UL 94 V-0; BLACK
3. CONTACTS: COPPER ALLOY  
PLATING: GOLD FLASH over NICKEL
4. CONNECTOR IS PART MARKED: 163A16749X CONEC ABC

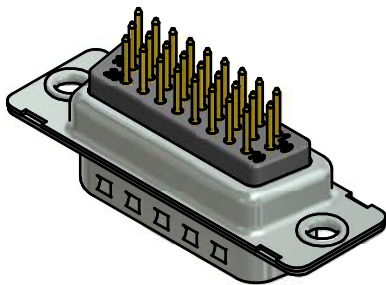
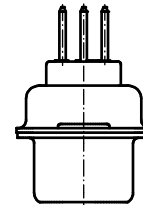
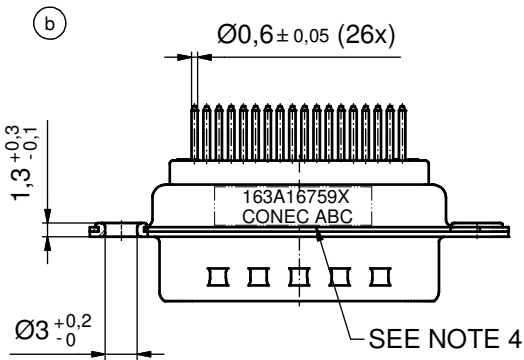
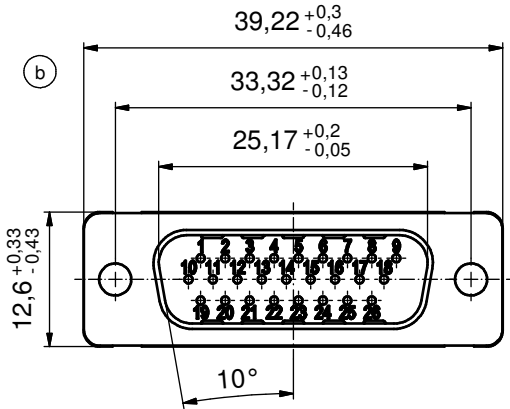
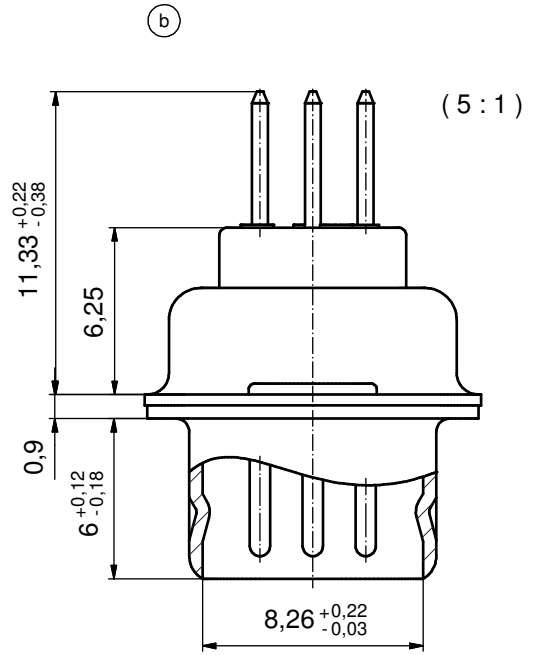


Directive 2002/95/EC RoHS compliant

THIS DRAWING MAY NOT BE COPIED OR REPRODUCED IN ANY WAY, AND MAY NOT BE PASSED ON TO A THIRD PARTY WITHOUT WRITTEN PERMISSION. OWNERSHIP AND COPYRIGHT OF CONEC GmbH DO NOT ALTER CAD DRAWING BY HAND	tolerance		dim. in mm		scale:	2:1 (5:1)			
					material:	SEE NOTES			
			date	name	title:				
			drawn	10.04.2002	Perei	<b>D-SUB HD MALE</b> 15pos. SOLDER PIN STRAIGHT			
			appd.	10.04.2002	Mickenbecker				
		norm			dwg no:		DIN-A3		
		d-old			16K1A542		sh: 1/6		
4 x b	A4102	14.09.2011	K.H.	part no:		163A16749X			
a	Original								
rev.	description	date	name						



P.C.B. HOLE DRILLINGS  
( P.C.B. TOP SIDE )



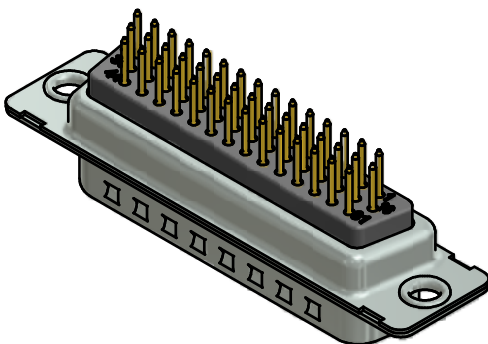
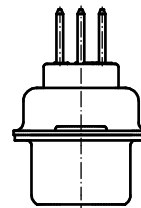
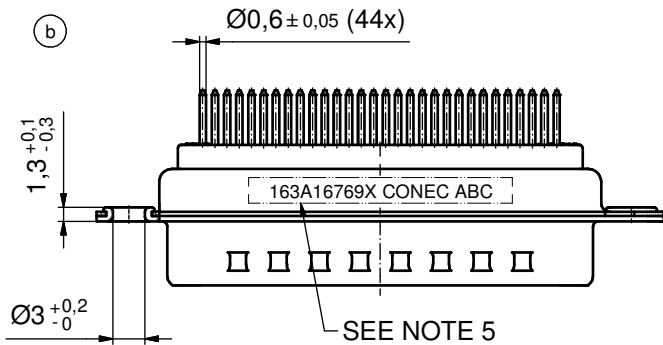
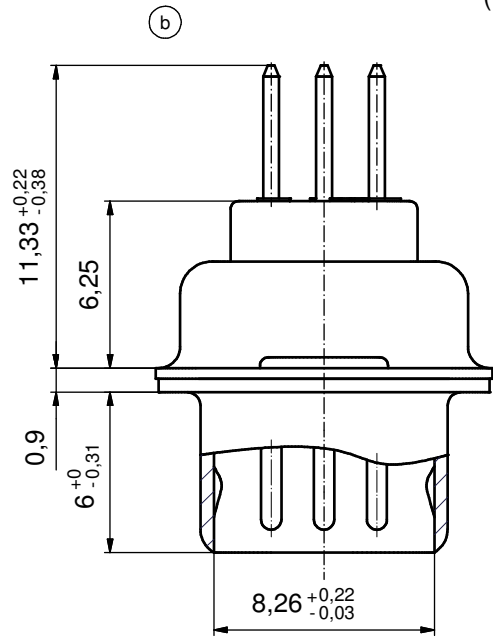
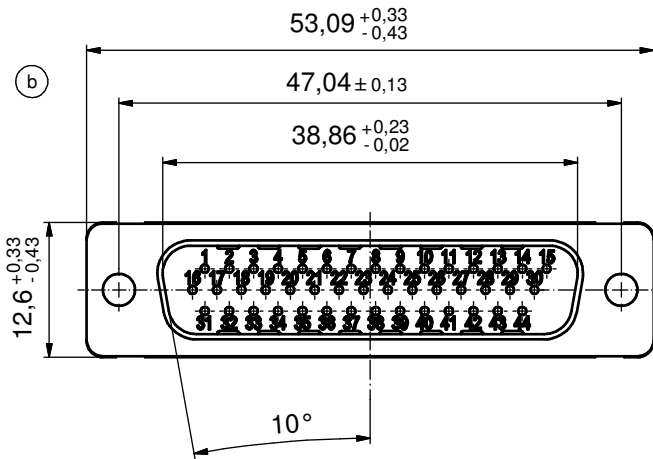
Directive 2002/95/EC RoHS compliant

(b) NOTES:

1. METALSHELLS: STEEL; min. 315µin TIN over 40-80µin NICKEL
2. INSULATORS: PBT GF UL 94 V-0; BLACK
3. CONTACTS: COPPER ALLOY  
PLATING: GOLD FLASH over NICKEL
4. CONNECTOR IS PART MARKED: 163A16759X CONEC ABC

THIS DRAWING MAY NOT BE COPIED OR REPRODUCED IN ANY WAY, AND MAY NOT BE PASSED ON TO A THIRD PARTY WITHOUT WRITTEN PERMISSION. OWNERSHIP AND COPYRIGHT OF CONEC GmbH DO NOT ALTER CAD DRAWING BY HAND	tolerance		dim. in mm	scale: 2:1 (5:1)	
	date			material: SEE NOTES	
	name		title:		D-SUB HD MALE 26pos. SOLDER PIN STRAIGHT
	drawn 10.04.2002 Parei		dwg no:		
appd. 10.04.2002 Mickenbecker		norm		16K1A542 DIN-A3 sh: 2/6	
d-old		part no:			
4 x b	A4102	14.09.2011	K.H.		
a	Original			part no: 163A16759X	
rev.	description	date	name		

(5:1)



**NOTES:**

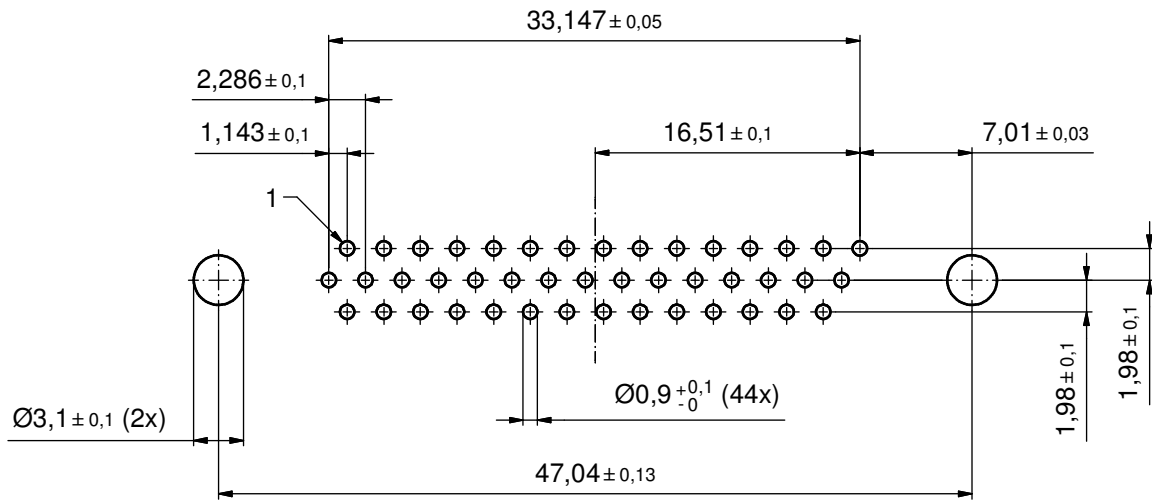
1. METALSHELLS: STEEL; min. 315µm TIN over 40-80µm NICKEL
2. INSULATORS: PBT GF UL 94 V-0; BLACK
3. CONTACTS: COPPER ALLOY  
PLATING: GOLD FLASH over NICKEL
4. P.C.B. HOLE DRILLINGS ON SHEET 4
5. CONNECTOR IS PART MARKED: **163A16769X CONEC ABC**

Directive 2002/95/EC RoHS compliant

THIS DRAWING MAY NOT BE COPIED OR REPRODUCED IN ANY WAY, AND MAY NOT BE PASSED ON TO A THIRD PARTY WITHOUT WRITTEN PERMISSION. OWNERSHIP AND COPYRIGHT OF CONEC GmbH DO NOT ALTER CAD DRAWING BY HAND					tolerance		scale: 2:1 (5:1)	
					date	name	material: SEE NOTES	
					drawn	10.04.2002	Perei	
					appd.	10.04.2002	Mickenbecker	
					norm			
				d-old			title: D-SUB HD MALE 44pos. SOLDER PIN STRAIGHT	
4 x b	A4102	14.09.2011	K.H.				dwg no: 16K1A542	DIN-A3
a	Original						sh: 3/6	
rev.	description	date	name				part no: 163A16769X	

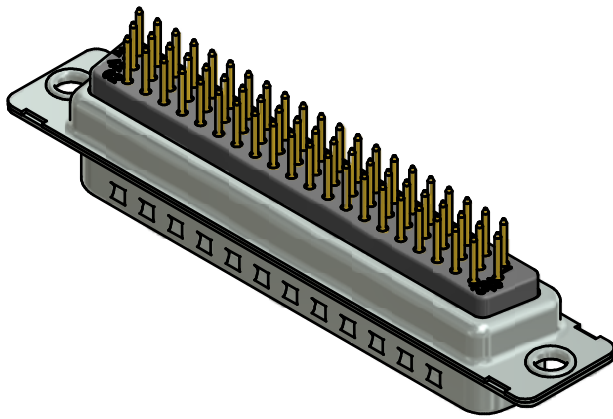
# P.C.B. HOLE DRILLINGS

( P.C.B. TOP SIDE )



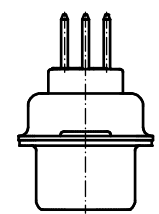
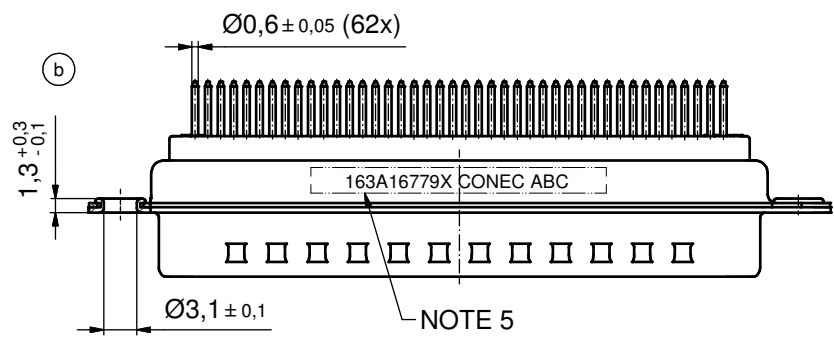
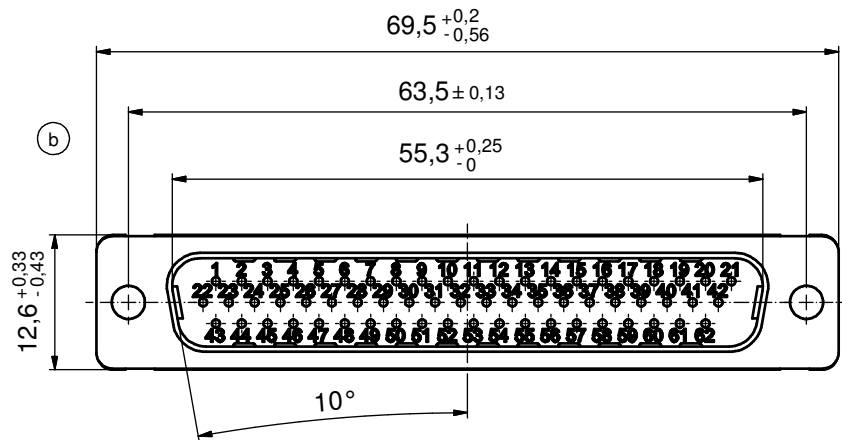
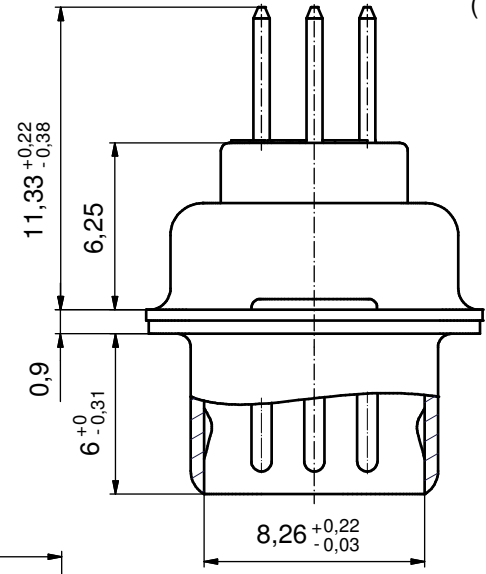
Directive 2002/95/EC RoHS compliant

THIS DRAWING MAY NOT BE COPIED OR REPRODUCED IN ANY WAY, AND MAY NOT BE PASSED ON TO A THIRD PARTY WITHOUT WRITTEN PERMISSION. OWNERSHIP AND COPYRIGHT OF CONEC GmbH DO NOT ALTER CAD DRAWING BY HAND					tolerance	dim. in mm	scale: 2:1	
					date		name	material: SEE SHEET3
					drawn	10.04.2002	Perei	<b>title:</b> P.C.B. HOLE DRILLINGS D-SUB HD MALE 44pos.
					appd.	10.04.2002	Mickenbecker	
					norm			
					d-old			dwg no:
	a	Original						16K1A542
rev.	description	date	name	part no:				SEE SHEET3



(b)

(5:1)



(b) NOTES:

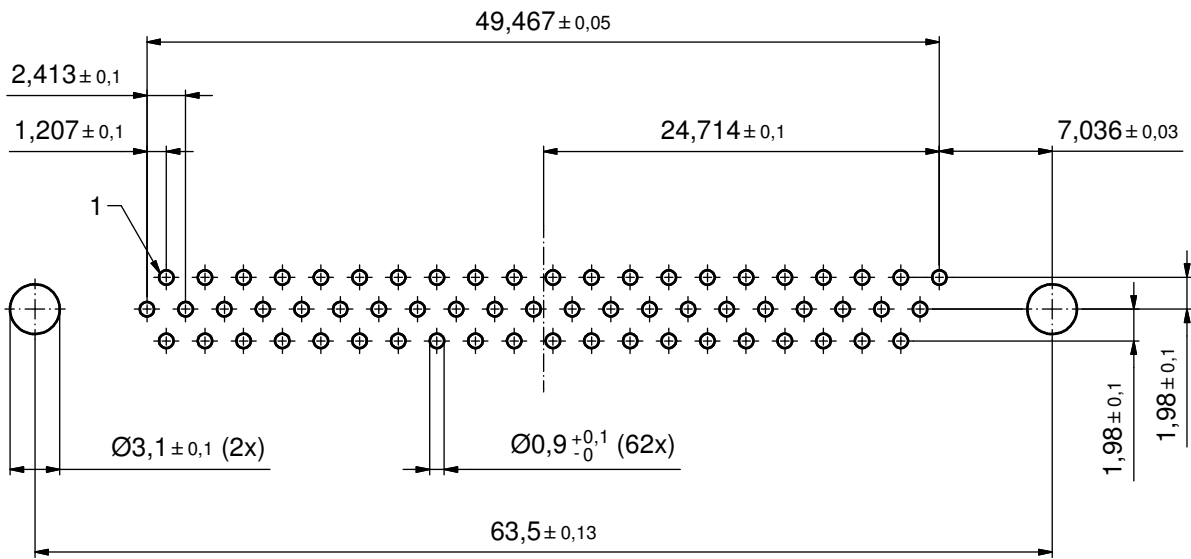
1. METALSHIELDS: STEEL; min. 315µm TIN over 40-80µm NICKEL
2. INSULATORS: PBT GF UL 94 V-0; BLACK
3. CONTACTS: COPPER ALLOY  
PLATING: GOLD FLASH over NICKEL
4. P.C.B. HOLE DRILLINGS ON SHEET 6
5. CONNECTOR IS PART MARKED: 163A16779X CONEC ABC

Directive 2002/95/EC RoHS compliant

THIS DRAWING MAY NOT BE COPIED OR REPRODUCED IN ANY WAY, AND MAY NOT BE PASSED ON TO A THIRD PARTY WITHOUT WRITTEN PERMISSION. OWNERSHIP AND COPYRIGHT OF CONEC GmbH  DO NOT ALTER CAD DRAWING BY HAND				tolerance	dim. in mm	scale:	2:1 (5:1)		
				date		name	material:	SEE NOTES	
				drawn	10.04.2002	Perei	title: <b>D-SUB HD MALE</b> 62pos. SOLDER PIN STRAIGHT		
				appd.	10.04.2002	Mickenbecker			
				norm					
			d-old			dwg no:	DIN-A3		
4 x b	A4102	14.09.2011	K.H.			16K1A542		sh: 5/6	
a	Original					part no:			163A16779X
rev.	description	date	name						

# P.C.B. HOLE DRILLINGS

( P.C.B. TOP SIDE )



Directive 2002/95/EC RoHS compliant

THIS DRAWING MAY NOT BE COPIED OR REPRODUCED IN ANY WAY, AND MAY NOT BE PASSED ON TO A THIRD PARTY WITHOUT WRITTEN PERMISSION. OWNERSHIP AND COPYRIGHT OF CONEC GmbH DO NOT ALTER CAD DRAWING BY HAND					tolerance		scale: 2:1
					date	name	material: SEE SHEET 5
					drawn	10.04.2002	Perei
					appd.	10.04.2002	Mickenbecker
					norm		
					d-old		
				rev.	a	Original	title: P.C.B. HOLE DRILLINGS D-SUB HD Male 62pos.
				description			dwg no: 16K1A542
				date			DIN-A3
				name			sh: 6/6
				<b>CONEC</b> <sup>®</sup>			part no: SEE SHEET 5