

DATA SHEET

74F280B

9-bit odd/even parity generator/checker

Product specification

1996 Mar 12

IC15 Data Handbook

9-bit odd/even parity generator/checker

74F280B

FEATURES

- High-impedance NPN base inputs for reduced loading (20µA in Low and High states)
- Buffered inputs — one normalized load
- Word length easily expanded by cascading
- Industrial temperature range available (−40°C to +85°C)

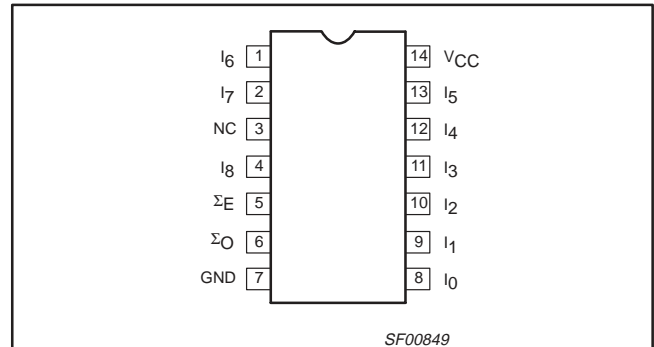
DESCRIPTION

The 74F280B is a 9-bit Parity Generator or Checker commonly used to detect errors in high speed data transmission or data retrieval systems. Both Even (Σ_E) and Odd (Σ_O) parity outputs are available for generating or checking even or odd parity on up to 9 bits.

The Even (Σ_E) parity output is High when an even number of Data inputs ($I_0 - I_8$) are High. The Odd (Σ_O) parity output is High when an odd number of Data inputs are High.

Expansion to larger word sizes is accomplished by tying the Even (Σ_E) outputs of up to nine parallel devices to the data inputs of the final stage. This expansion scheme allows an 81-bit data word to be checked in less than 20ns.

PIN CONFIGURATION



TYPE	TYPICAL PROPAGATION DELAY	TYPICAL SUPPLY CURRENT (TOTAL)
74F280B	5.5ns	26mA

ORDERING INFORMATION

DESCRIPTION	COMMERCIAL RANGE $V_{CC} = 5V \pm 10\%$, $T_{amb} = 0^\circ C$ to $+70^\circ C$	INDUSTRIAL RANGE $V_{CC} = 5V \pm 10\%$, $T_{amb} = -40^\circ C$ to $+85^\circ C$	PKG. DWG. #
14-pin plastic DIP	N74F280BN	I74F280BN	SOT27-1
14-pin plastic SO	N74F280BD	I74F280BD	SOT108-1

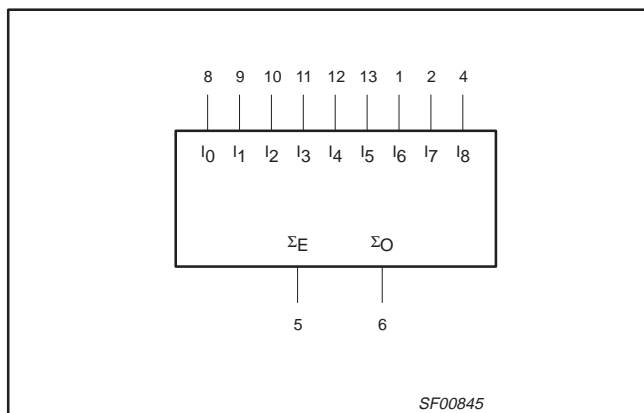
INPUT AND OUTPUT LOADING AND FAN-OUT TABLE

PINS	DESCRIPTION	74F(U.L.) HIGH/LOW	LOAD VALUE HIGH/LOW
$I_0 - I_8$	Data inputs	1.0/0.033	20µA/20µA
Σ_E, Σ_O	Parity outputs	50/33	1.0mA/20mA

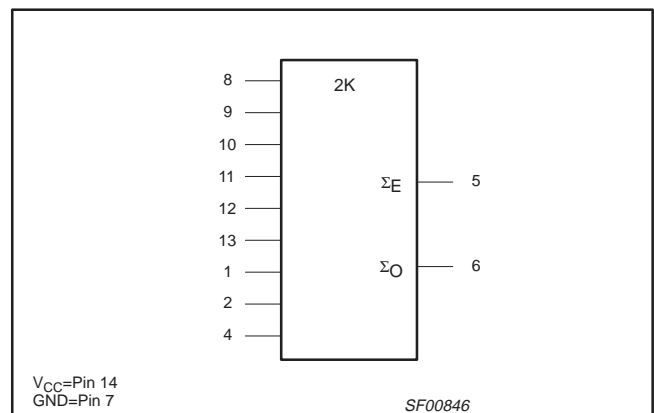
NOTE:

One (1.0) FAST Unit Load is defined as: 20µA in the High state and 0.6mA in the Low state.

LOGIC SYMBOL



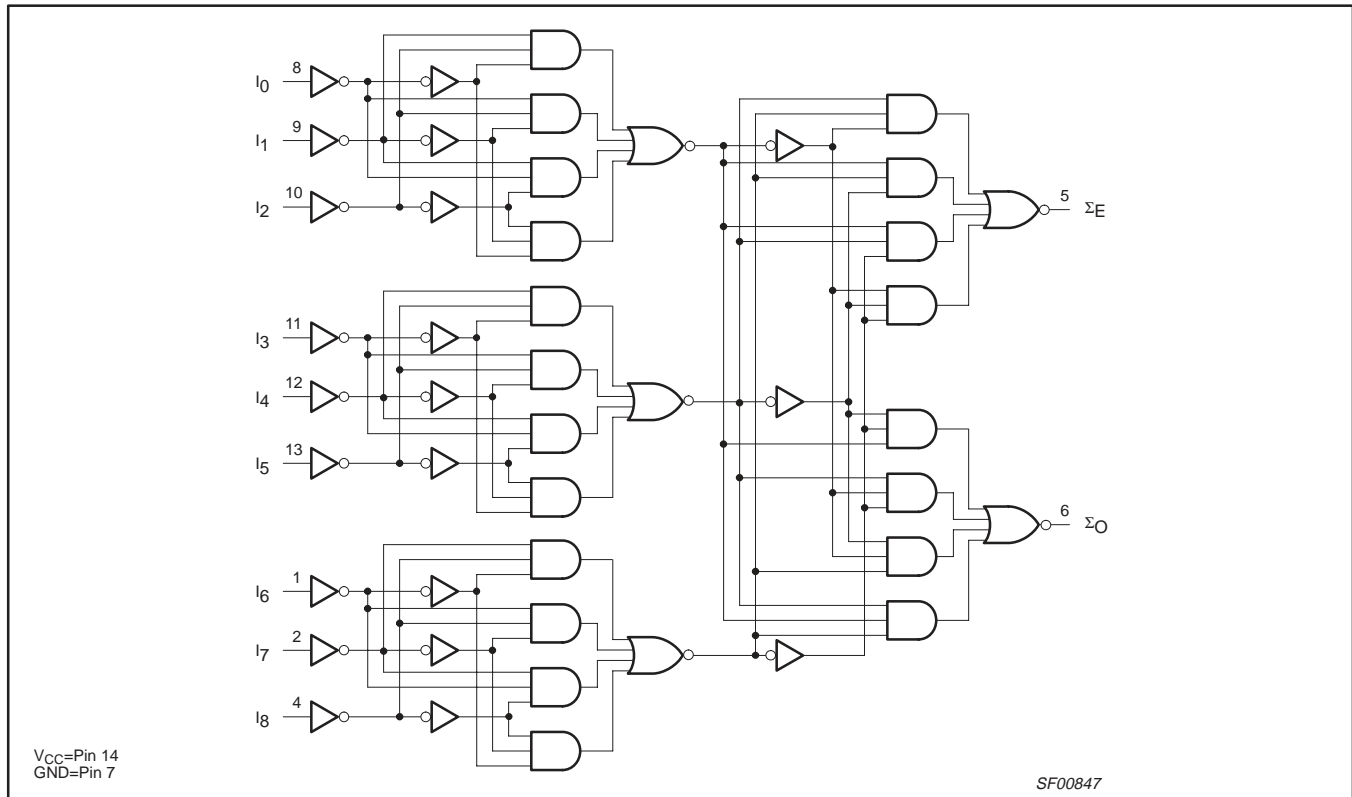
IEC/IEEE SYMBOL



9-bit odd/even parity generator/checker

74F280B

LOGIC DIAGRAM



FUNCTION TABLE

INPUTS	OUTPUTS	
	Σ_E	Σ_O
Number of High Data Inputs ($I_0 - I_8$)		
Even — 0, 2, 4, 6, 8	H	L
Odd — 1, 3, 5, 7, 9	L	H

H = High voltage level

L = Low voltage level

9-bit odd/even parity generator/checker

74F280B

ABSOLUTE MAXIMUM RATINGS

SYMBOL	PARAMETER		RATING	UNIT
V_{CC}	Supply voltage		-0.5 to +7.0	V
V_{IN}	Input voltage		-0.5 to +7.0	V
I_{IN}	Input current		-30 to +5	mA
V_{OUT}	Voltage applied to output in High output state		-0.5 to V_{CC}	V
I_{OUT}	Current applied to output in Low output state		40	mA
T_{amb}	Operating free-air temperature range	Commercial range	0 to +70	°C
		Industrial range	-40 to +85	°C
T_{stg}	Storage temperature		-65 to +150	°C

RECOMMENDED OPERATING CONDITIONS

SYMBOL	PARAMETER	LIMITS			UNIT
		Min	Nom	Max	
V_{CC}	Supply voltage	4.5	5.0	5.5	V
V_{IH}	High-level input voltage	2.0			V
V_{IL}	Low-level input voltage			0.8	V
I_{IK}	Input clamp current			-18	mA
I_{OH}	High-level output current			-1	mA
I_{OL}	Low-level output current			20	mA
T_{amb}	Operating free-air temperature range	Commercial range	0	70	°C
		Industrial range	-40	85	°C

DC ELECTRICAL CHARACTERISTICS

(Over recommended operating free-air temperature range unless otherwise noted.)

SYMBOL	PARAMETER	TEST CONDITIONS ¹	LIMITS			UNIT
			MIN	TYP ²	MAX	
V_{OH}	High-level output voltage	$V_{CC} = \text{MIN}, V_{IL} = \text{MAX}$	$\pm 10\%V_{CC}$	2.5		V
		$V_{IH} = \text{MIN}, I_{OH} = \text{MAX}$	$\pm 5\%V_{CC}$	2.7	3.4	
V_{OL}	Low-level output voltage	$V_{CC} = \text{MIN}, V_{IL} = \text{MAX}$	$\pm 10\%V_{CC}$		0.35	V
		$V_{IH} = \text{MIN}, I_{OL} = \text{MAX}$	$\pm 5\%V_{CC}$		0.35	
V_{IK}	Input clamp voltage	$V_{CC} = \text{MIN}, I_I = I_{IK}$		-0.73	-1.2	V
I_I	Input current at maximum input voltage	$V_{CC} = 0.0V, V_I = 7.0V$			100	μA
I_{IH}	High-level input current	Commercial range	$V_{CC} = \text{MAX}, V_I = 2.7V$		20	μA
		Industrial range			40	μA
I_{IL}	Low-level input current	$V_{CC} = \text{MAX}, V_I = 0.5V$			-20	μA
I_{OS}	Short-circuit output current ³	$V_{CC} = \text{MAX}$		-60	-150	mA
I_{CC}	Supply current (total)	$V_{CC} = \text{MAX}$		26	35	mA

NOTES:

- For conditions shown as MIN or MAX, use the appropriate value specified under recommended operating conditions for the applicable type.
- All typical values are at $V_{CC} = 5V, T_{amb} = 25^\circ\text{C}$.
- Not more than one output should be shorted at a time. For testing I_{OS} , the use of high-speed test apparatus and/or sample-and-hold techniques are preferable in order to minimize internal heating and more accurately reflect operational values. Otherwise, prolonged shorting of a High output may raise the chip temperature well above normal and thereby cause invalid readings in other parameter tests. In any sequence of parameter tests, I_{OS} tests should be performed last.

9-bit odd/even parity generator/checker

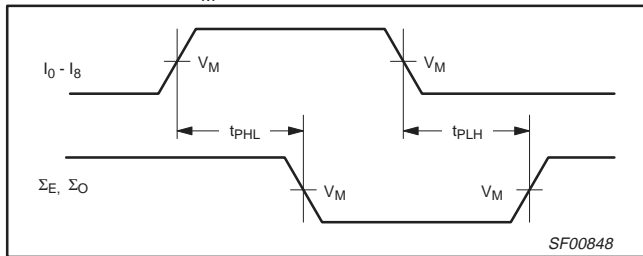
74F280B

AC ELECTRICAL CHARACTERISTICS

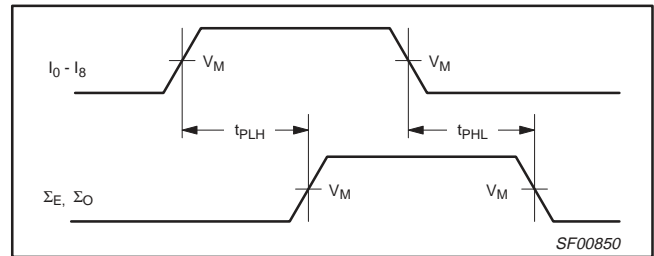
SYMBOL	PARAMETER	TEST CONDITIONS	LIMITS								UNIT	
			$T_{amb} = +25^{\circ}\text{C}$ $V_{CC} = +5.0\text{V}$ $C_L = 50\text{pF}$ $R_L = 500\Omega$			$T_{amb} = 0^{\circ}\text{C to } +70^{\circ}\text{C}$ $V_{CC} = +5.0\text{V} \pm 10\%$ $C_L = 50\text{pF}$ $R_L = 500\Omega$		$T_{amb} = -40^{\circ}\text{C to } +85^{\circ}\text{C}$ $V_{CC} = +5.0\text{V} \pm 10\%$ $C_L = 50\text{pF}$ $R_L = 500\Omega$				
			Min	Typ	Max	Min	Max	Min	Max			
t_{PLH} t_{PHL}	Propagation delay $I_0 - I_8$ to Σ_E	74F280B	Waveform 1, 2		4.0	6.5	9.0	3.5	10.0	3.0	11.0	ns
t_{PLH} t_{PHL}	Propagation delay $I_0 - I_8$ to Σ_O		Waveform 1, 2		4.0	6.5	9.0	3.5	11.0	3.5	12.0	ns

AC WAVEFORMS

For all waveforms, $V_M = 1.5\text{V}$.



Waveform 1. Propagation Delay for Inverting Outputs



Waveform 2. Propagation Delay for Non-Inverting Outputs

TEST CIRCUIT AND WAVEFORM

Test Circuit for Totem-Pole Outputs

Input Pulse Definition

DEFINITIONS:

- R_L = Load resistor; see AC ELECTRICAL CHARACTERISTICS for value.
- C_L = Load capacitance includes jig and probe capacitance; see AC ELECTRICAL CHARACTERISTICS for value.
- R_T = Termination resistance should be equal to Z_{OUT} of pulse generators.

family	INPUT PULSE REQUIREMENTS					
	amplitude	V_M	rep. rate	t_w	t_{TLH}	t_{THL}
74F	3.0V	1.5V	1MHz	500ns	2.5ns	2.5ns

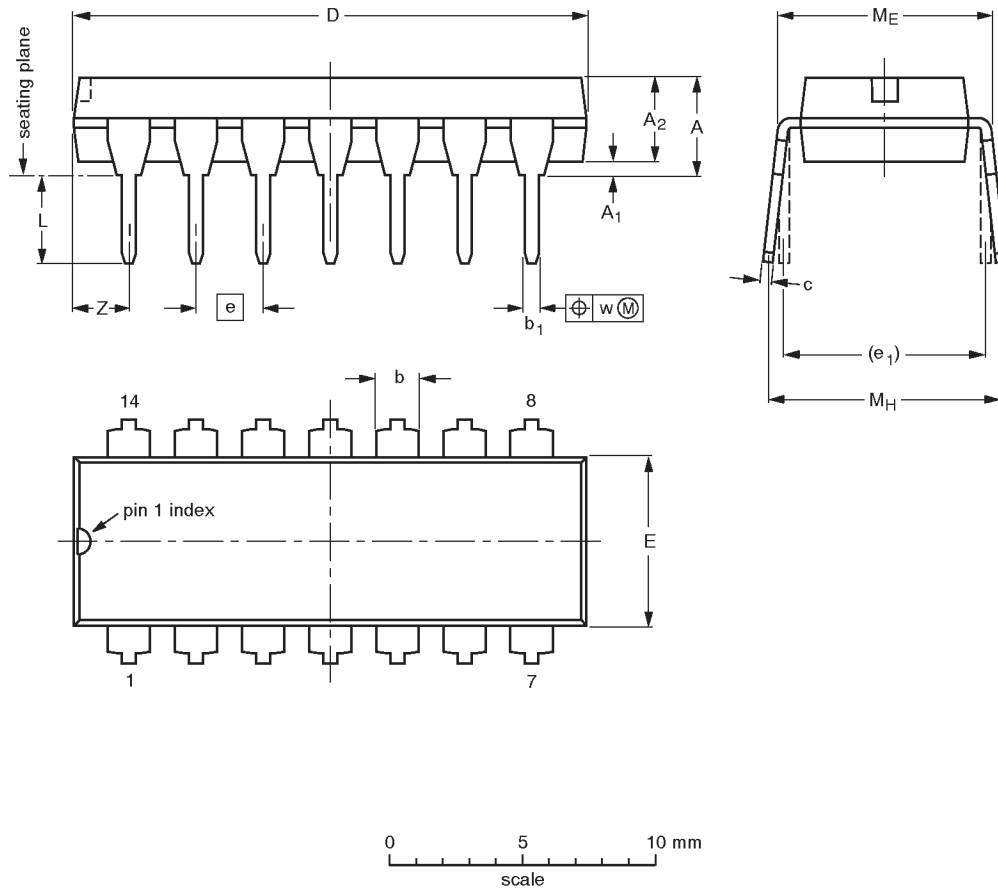
SF00006

9-bit parity odd/even parity generator/checker

74F280B

DIP14: plastic dual in-line package; 14 leads (300 mil)

SOT27-1



DIMENSIONS (inch dimensions are derived from the original mm dimensions)

UNIT	A max.	A ₁ min.	A ₂ max.	b	b ₁	c	D ⁽¹⁾	E ⁽¹⁾	e	e ₁	L	M _E	M _H	w	Z ⁽¹⁾ max.
mm	4.2	0.51	3.2	1.73 1.13	0.53 0.38	0.36 0.23	19.50 18.55	6.48 6.20	2.54	7.62	3.60 3.05	8.25 7.80	10.0 8.3	0.254	2.2
inches	0.17	0.020	0.13	0.068 0.044	0.021 0.015	0.014 0.009	0.77 0.73	0.26 0.24	0.10	0.30	0.14 0.12	0.32 0.31	0.39 0.33	0.01	0.087

Note

1. Plastic or metal protrusions of 0.25 mm maximum per side are not included.

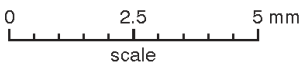
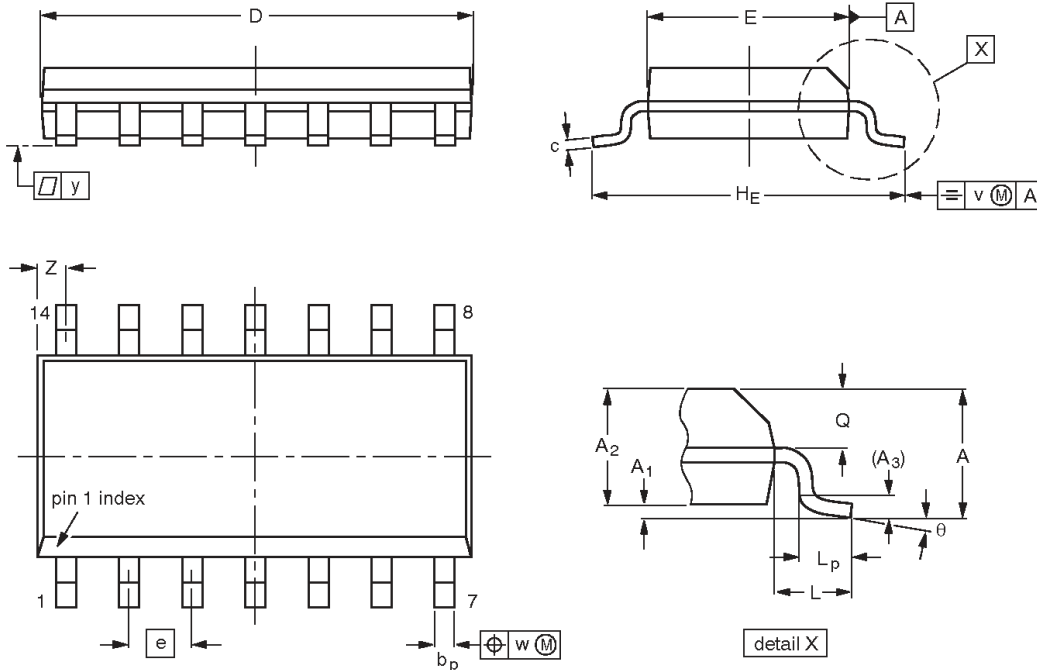
OUTLINE VERSION	REFERENCES			EUROPEAN PROJECTION	ISSUE DATE
	IEC	JEDEC	EIAJ		
SOT27-1	050G04	MO-001AA			92-11-17 95-03-11

9-bit parity odd/even parity generator/checker

74F280B

SO14: plastic small outline package; 14 leads; body width 3.9 mm

SOT108-1



DIMENSIONS (inch dimensions are derived from the original mm dimensions)

UNIT	A max.	A ₁	A ₂	A ₃	b _p	c	D ⁽¹⁾	E ⁽¹⁾	e	H _E	L	L _p	Q	v	w	y	z ⁽¹⁾	θ
mm	1.75	0.25 0.10	1.45 1.25	0.25	0.49 0.36	0.25 0.19	8.75 8.55	4.0 3.8	1.27	6.2 5.8	1.05	1.0 0.4	0.7 0.6	0.25	0.25	0.1	0.7 0.3	8° 0°
inches	0.069	0.010 0.004	0.057 0.049	0.01	0.019 0.014	0.0100 0.0075	0.35 0.34	0.16 0.15	0.050	0.244 0.228	0.041	0.039 0.016	0.028 0.024	0.01	0.01	0.004	0.028 0.012	

Note

1. Plastic or metal protrusions of 0.15 mm maximum per side are not included.

OUTLINE VERSION	REFERENCES				EUROPEAN PROJECTION	ISSUE DATE
	IEC	JEDEC	EIAJ			
SOT108-1	076E06S	MS-012AB				95-01-23 97-05-22

9-bit parity odd/even parity generator/checker

74F280B

Data sheet status

Data sheet status	Product status	Definition [1]
Objective specification	Development	This data sheet contains the design target or goal specifications for product development. Specification may change in any manner without notice.
Preliminary specification	Qualification	This data sheet contains preliminary data, and supplementary data will be published at a later date. Philips Semiconductors reserves the right to make changes at any time without notice in order to improve design and supply the best possible product.
Product specification	Production	This data sheet contains final specifications. Philips Semiconductors reserves the right to make changes at any time without notice in order to improve design and supply the best possible product.

[1] Please consult the most recently issued datasheet before initiating or completing a design.

Definitions

Short-form specification — The data in a short-form specification is extracted from a full data sheet with the same type number and title. For detailed information see the relevant data sheet or data handbook.

Limiting values definition — Limiting values given are in accordance with the Absolute Maximum Rating System (IEC 134). Stress above one or more of the limiting values may cause permanent damage to the device. These are stress ratings only and operation of the device at these or at any other conditions above those given in the Characteristics sections of the specification is not implied. Exposure to limiting values for extended periods may affect device reliability.

Application information — Applications that are described herein for any of these products are for illustrative purposes only. Philips Semiconductors make no representation or warranty that such applications will be suitable for the specified use without further testing or modification.

Disclaimers

Life support — These products are not designed for use in life support appliances, devices or systems where malfunction of these products can reasonably be expected to result in personal injury. Philips Semiconductors customers using or selling these products for use in such applications do so at their own risk and agree to fully indemnify Philips Semiconductors for any damages resulting from such application.

Right to make changes — Philips Semiconductors reserves the right to make changes, without notice, in the products, including circuits, standard cells, and/or software, described or contained herein in order to improve design and/or performance. Philips Semiconductors assumes no responsibility or liability for the use of any of these products, conveys no license or title under any patent, copyright, or mask work right to these products, and makes no representations or warranties that these products are free from patent, copyright, or mask work right infringement, unless otherwise specified.

Philips Semiconductors
811 East Arques Avenue
P.O. Box 3409
Sunnyvale, California 94088-3409
Telephone 800-234-7381

© Copyright Philips Electronics North America Corporation 1999
All rights reserved. Printed in U.S.A.

Date of release: 12-99

Document order number:

9397 750 06706

Let's make things better.

74F280B; 9-bit odd/even parity generator/checker

Information as of 2003-04-22

My.Semiconductors.COM.
Your personal service from Philips Semiconductors.
Please register now !
Stay informed

Use right mouse button to download datasheet
Download datasheet

[Products](#)

[MultiMarket Semiconductors](#)

[Product Selector](#)

[Catalog by Function](#)

[Catalog by System](#)

[Cross-reference Packages](#)

[End of Life information](#)

[Distributors Go Here!](#)

[Models](#)

[SoC solutions](#)

General description	Features	Applications	Datasheet
Block diagram	Buy online	Support & tools	Email/translate
Products & packages	Parametrics	Similar products	

General description

The 74F280B is a 9-bit Parity Generator or Checker commonly used to detect errors in high speed data transmission or data retrieval systems. Both Even (Σ_E) and Odd (Σ_O) parity outputs are available for generating or checking even or odd parity on up to 9 bits.

The Even (Σ_E) parity output is High when an even number of Data inputs ($I_0 - I_8$) are High. The Odd (Σ_O) parity output is High when an odd number of Data inputs are High.

Expansion to larger word sizes is accomplished by tying the Even (Σ_E) outputs of up to nine parallel devices to the data inputs of the final stage. This expansion scheme allows an 81-bit data word to be checked in less than 20ns.

Features

- High-impedance NPN base inputs for reduced loading (20µA in Low and High states)
- Buffered inputs - one normalized load
- Word length easily expanded by cascading
- Industrial temperature range available (-40°C to +85°C)

Applications

- [AN202_1: Testing and specifying FAST logic](#) (date 01-Jun-87)
- [AN2021_1: Thermal considerations for FAST logic products](#) (date 13-Mar-95)
- [AN203_2: Test Fixtures for High Speed Logic](#) (date 02-Apr-98)
- [AN216_2: Arbitration in shared resource systems](#) (date 18-Jul-88)

❑ Datasheet

<u>Type number</u>	<u>Title</u>	<u>Publication release date</u>	<u>Datasheet status</u>	<u>Page count</u>	<u>File size (kB)</u>	<u>Datasheet</u>
74F280B	9-bit odd/even parity generator/checker	3/12/1996	Product specification	8	90	Download

❑ Blockdiagram(s)

Block diagram of N74F280BN

❑ Parametrics

<u>Type number</u>	<u>Package</u>	<u>Description</u>	<u>Propagation Delay(ns)</u>	<u>Voltage</u>	<u>No. of Pins</u>	<u>Power Dissipation Considerations</u>	<u>Logic Switching Levels</u>	<u>Output Drive Capability</u>
I74F280BD	SOT108-1 (SO14)	9-Bit Odd/Even Parity Generator/Checker	10~15	5 Volts +	14	None	TTL	Low
I74F280BN	SOT27-1 (DIP14)	9-Bit Odd/Even Parity Generator/Checker	10~15	5 Volts +	14	None	TTL	Low
N74F280BD	SOT108-1 (SO14)	9-Bit Odd/Even Parity Generator/Checker	10~15	5 Volts +	14	None	TTL	Low
N74F280BN	SOT27-1 (DIP14)	9-Bit Odd/Even Parity Generator/Checker	10~15	5 Volts +	14	None	TTL	Low

❑ Products, packages, availability and ordering

<u>Type number</u>	<u>North American type number</u>	<u>Ordering code (12NC)</u>	<u>Marking/Packing</u> Discretes packing info	<u>Package</u>	<u>Device status</u>	<u>Buy online</u>
I74F280BD	I74F280BD	9350 295 20602	Standard Marking * Tube (Signetics)	SOT108-1 (SO14)	Full production	order this <input type="checkbox"/>
	I74F280B D	9350 295 20623	Standard Marking * Reel Pack, SMD, 13" (Signetics)	SOT108-1 (SO14)	Full production	order this <input type="checkbox"/>
I74F280BN	I74F280BN	9350 295 30602	Standard Marking * Tube (Signetics)	SOT27-1 (DIP14)	Full production	order this <input type="checkbox"/>
N74F280BD	N74F280BD	9338 290 10602	Standard Marking * Tube (Signetics)	SOT108-1 (SO14)	Full production	order this <input type="checkbox"/>

	N74F280BD-T	9338 290 10623	Standard Marking * Reel Pack, SMD, 13" (Signetics)	SOT108-1 (SO14)	Full production	order this <input type="checkbox"/>
N74F280BN	N74F280BN	9338 290 00602	Standard Marking * Tube (Signetics)	SOT27-1 (DIP14)	Full production	order this <input type="checkbox"/>

Products in the above table are all in production. Some variants are discontinued; [click here](#) for information on these variants.

▣ Similar products

[Product 74F280B](#) links to the similar products page containing an overview of products that are similar in function or related to the type number(s) as listed on this page. The similar products page includes products from the same catalog tree(s), relevant selection guides and products from the same functional category.

▣ Email/translate this product information

- [Email this product information.](#)
- Translate this product information page from English to:

The English language is the official language used at the semiconductors.philips.com website and webpages. All translations on this website are created through the use of [Google Language Tools](#) and are provided for convenience purposes only. No rights can be derived from any translation on this website.

[About this Web Site](#)

| Copyright © 2003 Koninklijke Philips N.V. All rights reserved. | [Privacy Policy](#) |

| Koninklijke Philips N.V. | Access to and use of this Web Site is subject to the following [Terms of Use](#). |