



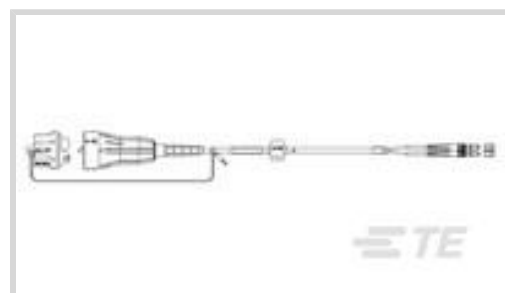
FullAXS

TE Internal #: 2061432-1

Rugged Fiber Cable Assemblies, Fiber Optic Cable (FOCAB), .189 in [4.8 mm] Diameter, 2 Fibers, Blue, Blue, Black Cable, Standard Boot Type (Left)

[View on TE.com >](#)

Fiber Optics > Fiber Optic Cable Assemblies > Rugged Fiber Cable Assemblies



Fiber Optic Cable Type: **Fiber Optic Cable (FOCAB)**

Cable Assembly Fiber Diameter: **9/125 μm**

Outside Cable Diameter: **4.8 mm [.189 in]**

Number of Fibers: **2**

Connector Color (End A): **Blue**

Features

Product Type Features

Rugged Fiber Cable Assembly System	FullAXS
Protection & Strain Relief Accessory Type	Protective Cap
Fiber Optic Cable Type	Fiber Optic Cable (FOCAB)
Fiber Optic Mode	Singlemode
Connector Type (End A)	FULLAXS LC Duplex Plug
Connector Type (End B)	LC Duplex Plug
Cable Assembly Type	FULLAXS LC Duplex to LC Duplex
Fiber Type	SM

Configuration Features

Exit Angle to Exit Angle	180° to 180°
Number of Fibers	2
Cable Buffering	Tight Buffer

Body Features

Connector Color (End A)	Blue
Connector Color (End B)	Blue
Cable Color	Black
Boot Type (Left)	Standard
Boot Type (Right)	Bend Limiting



Boot Color (Left)	Blue
-------------------	------

Boot Color (Right)	Blue
--------------------	------

Dimensions

Cable Assembly Fiber Diameter	9/125 μ m
-------------------------------	---------------

Outside Cable Diameter	4.8 mm[.189 in]
------------------------	-----------------

Other

Cable Assembly Length	1 m
-----------------------	-----

Product Compliance

[For compliance documentation, visit the product page on TE.com>](#)

EU RoHS Directive 2011/65/EU	Compliant with Exemptions
------------------------------	---------------------------

EU ELV Directive 2000/53/EC	Compliant with Exemptions
-----------------------------	---------------------------

China RoHS 2 Directive MIIT Order No 32, 2016	Restricted Materials Above Threshold
---	--------------------------------------

EU REACH Regulation (EC) No. 1907/2006	<p>Current ECHA Candidate List: JUNE 2023 (235) Candidate List Declared Against: JAN 2021 (211) SVHC > Threshold: Pb (3.7% in Component part)</p> <p>Article Safe Usage Statements: Do not eat, drink or smoke when using this product. Wash thoroughly after handling. Recycle if possible and dispose of the article by following all applicable governmental regulations relevant to your geographic location.</p>
--	---

Halogen Content	Not Low Halogen - contains Br or Cl > 900 ppm.
-----------------	--

Solder Process Capability	Not applicable for solder process capability
---------------------------	--

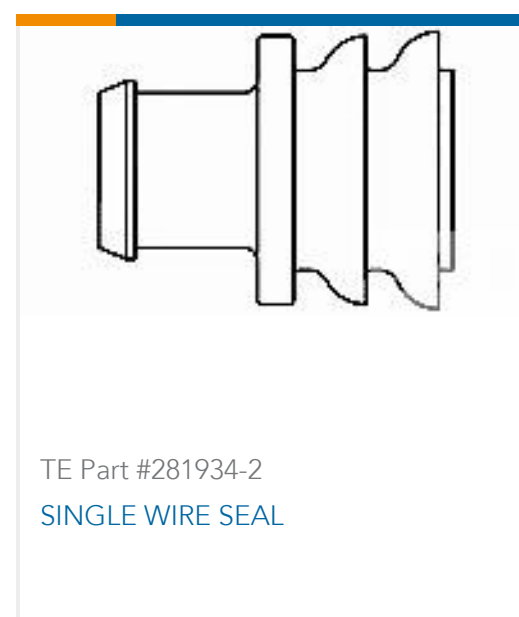
Product Compliance Disclaimer

This information is provided based on reasonable inquiry of our suppliers and represents our current actual knowledge based on the information they provided. This information is subject to change. The part numbers that TE has identified as EU RoHS compliant have a maximum concentration of 0.1% by weight in homogenous materials for lead, hexavalent chromium, mercury, PBB, PBDE, DBP, BBP, DEHP, DIBP, and 0.01% for cadmium, or qualify for an exemption to these limits as defined in the Annexes of Directive 2011/65/EU (RoHS2). Finished electrical and electronic equipment products will be CE marked as required by Directive 2011/65/EU. Components may not be CE marked. Additionally, the part numbers that TE has identified as EU ELV compliant have a maximum concentration of 0.1% by weight in homogenous materials for lead, hexavalent chromium, and mercury, and 0.01% for cadmium, or qualify for an exemption to these limits as defined in the Annexes of Directive 2000/53/EC (ELV). Regarding the REACH Regulation, the information TE provides on SVHC in articles for this part number is based on the latest European Chemicals Agency (ECHA) 'Guidance on requirements for substances in articles' posted at this URL: <https://echa.europa.eu/guidance-documents/guidance-on-reach>

Compatible Parts



Customers Also Bought



Documents

Product Drawings

[FOSM LEAD 4.8mm FULLAXS LC-LC/DPX 1m](#)

English

CAD Files

[3D PDF](#)

3D

Customer View Model

[ENG_CVM_CVM_2061432-1_B.2d_dxf.zip](#)

English

Customer View Model

[ENG_CVM_CVM_2061432-1_B.3d_igs.zip](#)

English

Customer View Model

[ENG_CVM_CVM_2061432-1_B.3d_stp.zip](#)

English

By downloading the CAD file I accept and agree to the [Terms and Conditions](#) of use.



[Product Specifications](#)

[Application Specification](#)

English