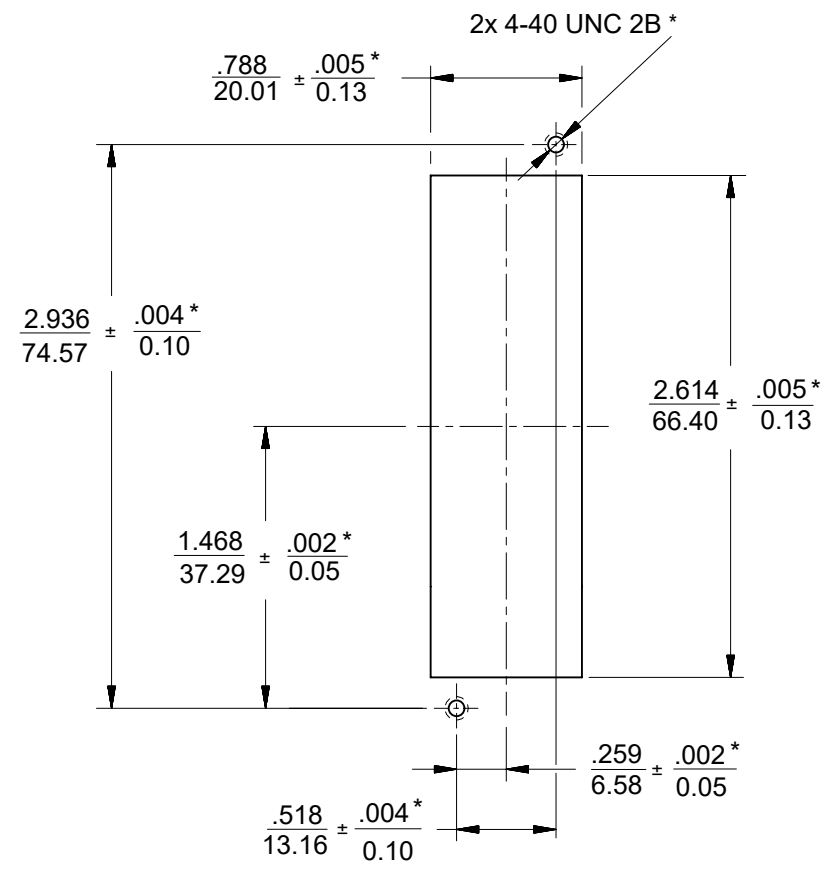
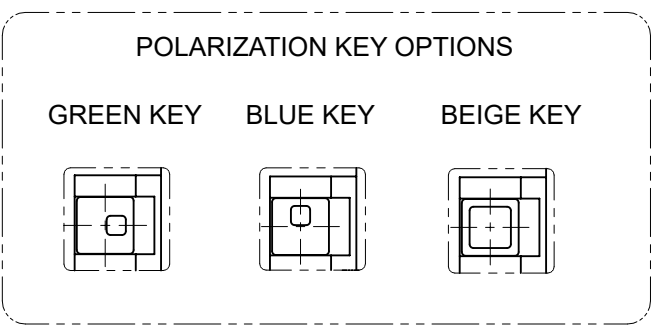


BLC ADAPTER P/N	SPLIT SLEEVE MATERIAL	COLOR
106146-0100	Ph. Bronze	BLACK
106146-1100	Zr	



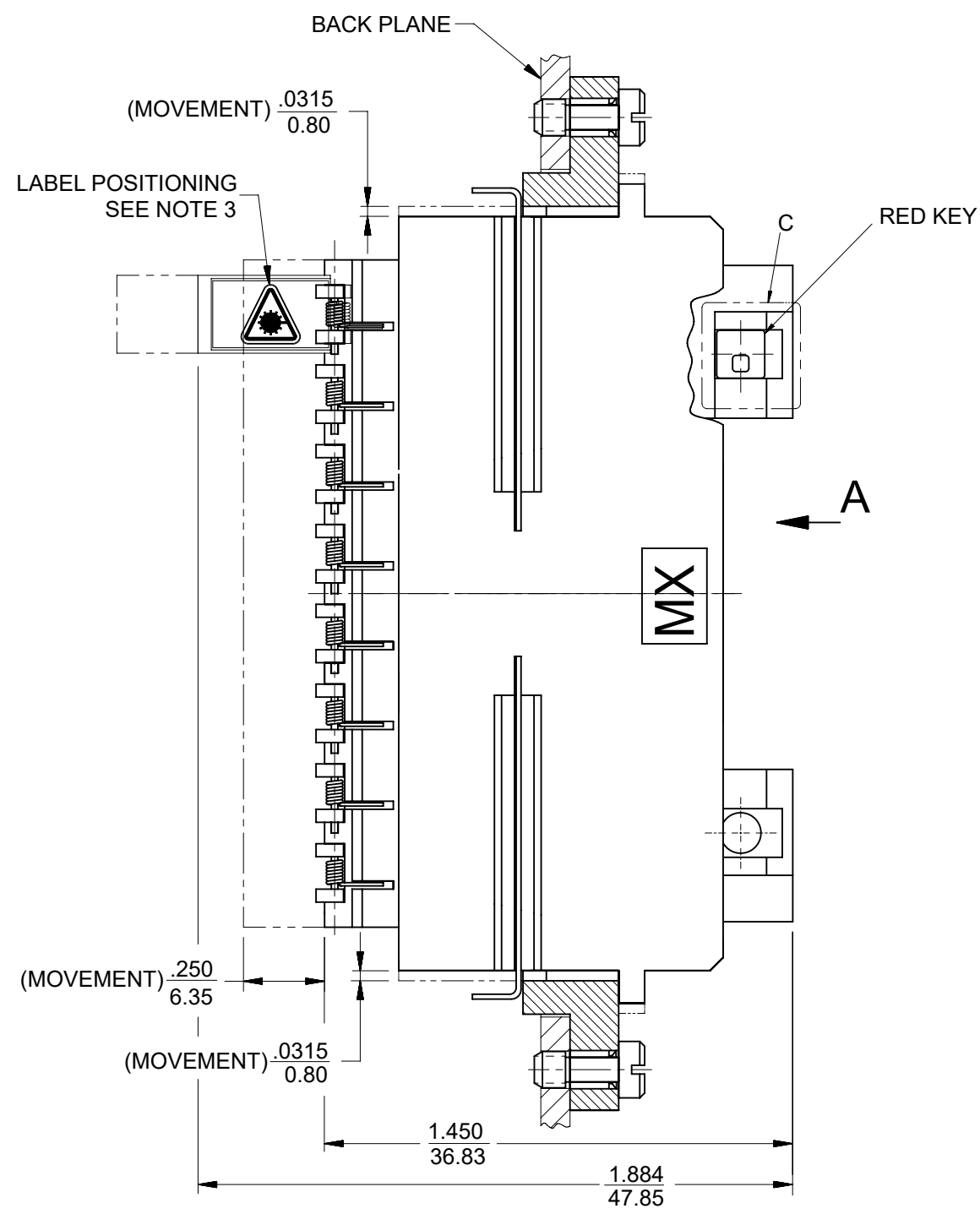
VIEW A

RECOMMENDED MOUNTING HOLES
SCALE: 1:1



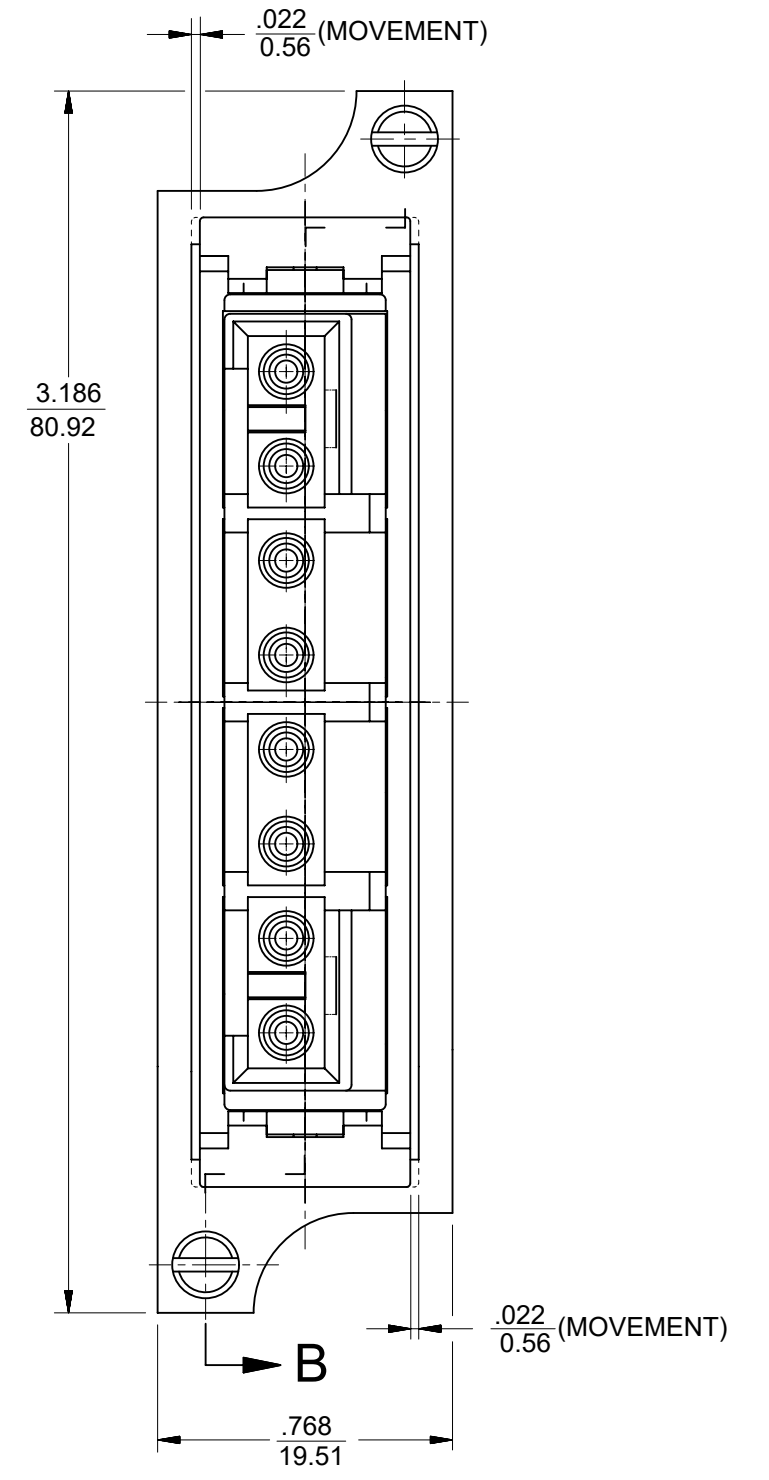
DETAIL C

- NOTES:**
1. ALL DIM. ARE FOR REFERENCE ONLY, EXCEPT WHEN MARKED WITH (*).
 2. POLARIZATION KEYS AND LABELS ARE PACKED UNASSEMBLED WITH ADAPTER ASSEMBLY IN POLY BAG.
 3. ADHESIVE LABELS TO BE POSITIONED ON LC DOORS BY USER. THE ORIENTATION OF THE LABELS SHOULD BE SUCH THAT THE LASER WARNING SYMBOL IS EASILY IDENTIFIED.



SECTION B-B

PRE-RELEASE
REFERENCE
USE ONLY



THIS DRAWING CONTAINS INFORMATION THAT IS PROPRIETARY TO MOLEX ELECTRONIC TECHNOLOGIES, LLC AND SHOULD NOT BE USED WITHOUT WRITTEN PERMISSION									
DIMENSION UNITS IN/MM		SCALE 2:1		CURRENT REV DESC: REMOVED OBSOLETE PART NUMBER AS PER PCN#510806.				molex	
GENERAL TOLERANCES (UNLESS SPECIFIED)				EC NO: 733771		BLC ADAPTER ASSEMBLY (8 POSITION)			
4 PLACES ±		±		DRWN: SANTHN		2023/01/25		PRODUCT CUSTOMER DRAWING	
3 PLACES ±		±		CHK'D: GGA		2023/02/24		DOCUMENT NUMBER	
2 PLACES ±		±		APPR: GGA		2023/02/24		SD-106146-XX00	
1 PLACE ±		±		INITIAL REVISION:		2005/10/21		DOC TYPE DOC PART REVISION	
0 PLACES ±		±		DRWN: PGIBLIN		2005/10/21		PSD 001 B1	
ANGULAR TOL ± 0.5°		± 0.5°		APPR:				SHEET NUMBER	
DRAFT WHERE APPLICABLE MUST REMAIN WITHIN DIMENSIONS				THIRD ANGLE PROJECTION		DRAWING		SERIES	
				B-SIZE		106146		MATERIAL NUMBER	
				SEE TABLE		GENERAL MARKET		CUSTOMER	
								1 OF 1	