

# PSD-S 50 CE-M12-5P - Connection element



1018853

<https://www.phoenixcontact.com/us/products/1018853>

Please be informed that the data shown in this PDF document is generated from our online catalog. Please find the complete data in the user documentation. Our general terms of use for downloads are valid.

Base with integrated M12 male (5 pins)



## Product description

This connection element is intended to be part of a modular signal tower and is used to electrically connect the tower. According to your requirements, a signal tower may comprise any combination of up to four signal elements. You may use up to four optical signal elements or up to three optical and one audible signal element. Only use an audible signal element as the top element. A bayonet locking system establishes the mechanical and electrical connection between the elements. Please note that PSD-S 50 signal towers (50 mm diameter) are not mechanically compatible with PSD-S signal towers (70 mm diameter).

## Your advantages

- Connecting element for installing on an M12 mounting thread
- M12 connection technology (5-pos.)
- Degree of protection: IP65, when mounted

## Commercial data

Item number	1018853
Packing unit	1 pc
Minimum order quantity	1 pc
Sales key	DR07
Product key	DRL116
GTIN	4055626504827
Weight per piece (including packing)	105.8 g
Weight per piece (excluding packing)	105.8 g
Customs tariff number	85319000
Country of origin	AT

# PSD-S 50 CE-M12-5P - Connection element



1018853

<https://www.phoenixcontact.com/us/products/1018853>

## Technical data

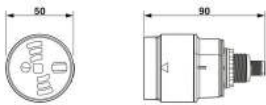
### Product properties

Product type	Assembly element
Scope of delivery	End cover and seal
Number of mountable signal elements	max. 4

### Connection data

Connection method	M12
Stripping length	7 mm

### Dimensions

Dimensional drawing	
Height	90 mm
Diameter	50 mm

### Material specifications

Color	black
Material	PA-GF

### Environmental and real-life conditions

#### Ambient conditions

Degree of protection	IP65 (when installed)
Ambient temperature (operation)	-30 °C ... 60 °C

### EMC data

Electromagnetic compatibility	Conformance with EMC directive 2004/108/EC and for low-voltage directive 2006/95/EC
-------------------------------	---

### Mounting

Mounting type	M12 mounting threads
Assembly instructions	Seal included
Mounting position	any

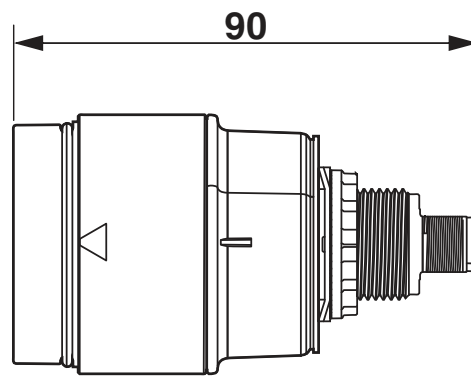
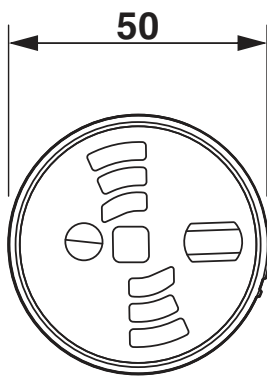
# PSD-S 50 CE-M12-5P - Connection element

1018853

<https://www.phoenixcontact.com/us/products/1018853>

## Drawings

### Dimensional drawing



# PSD-S 50 CE-M12-5P - Connection element



1018853

<https://www.phoenixcontact.com/us/products/1018853>

## Approvals

To download certificates, visit the product detail page: <https://www.phoenixcontact.com/us/products/1018853>



**UL Listed**

Approval ID: FILE E 140324



**cUL Listed**

Approval ID: FILE E 140324

**cULus Listed**

# PSD-S 50 CE-M12-5P - Connection element



1018853

<https://www.phoenixcontact.com/us/products/1018853>

## Classifications

### ECLASS

ECLASS-11.0	27371232
ECLASS-12.0	27371232
ECLASS-13.0	27371232

### ETIM

ETIM 8.0	EC001152
----------	----------

### UNSPSC

UNSPSC 21.0	46171600
-------------	----------

# PSD-S 50 CE-M12-5P - Connection element



1018853

<https://www.phoenixcontact.com/us/products/1018853>

## Environmental product compliance

China RoHS	Environmentally friendly use period: unlimited = EFUP-e
	No hazardous substances above threshold values

# PSD-S 50 CE-M12-5P - Connection element



1018853

<https://www.phoenixcontact.com/us/products/1018853>

## Accessories

### PSD-S 50 ME BR-M12 M - Mounting bracket

1094143

<https://www.phoenixcontact.com/us/products/1094143>



Metal bracket for products with M12 assembly thread

---

Phoenix Contact 2023 © - all rights reserved  
<https://www.phoenixcontact.com>

Phoenix Contact USA  
586 Fulling Mill Road  
Middletown, PA 17057, United States  
(+717) 944-1300  
[info@phoenixcon.com](mailto:info@phoenixcon.com)