

RED INDICATES ORIGINAL

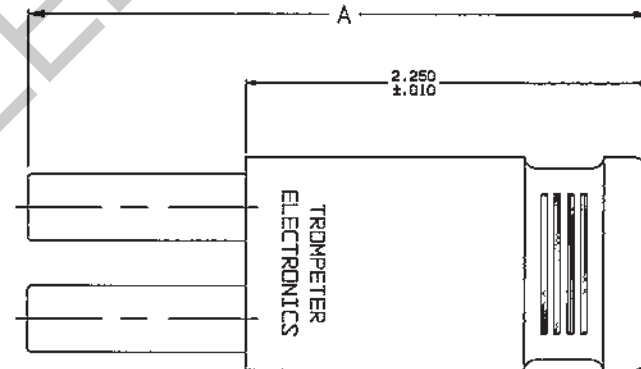
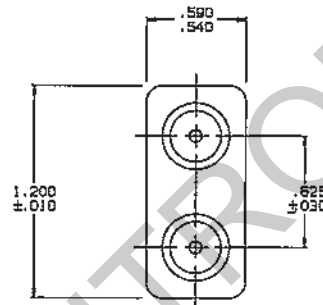
DATA CONTAINED IN THIS DOCUMENT IS PROPRIETARY TO TROMPETER ELECTRONICS INC. AND SHALL NOT BE DISCLOSED, COPIED OR USED FOR REPRODUCTION OR MANUFACTURE WITHOUT EXPRESS WRITTEN PERMISSION.

REV		ED	DESCRIPTION	DWN	APPROVED	DATE
H		12578	ADDED: -7 SEE ECO	R L	<i>[Signature]</i>	12/23/98

DASH NO	MODEL NO	IMPEDANCE VALUE	CASE COLOR	A DIM
-1	LP-50	50 OHMS	GREEN	3.785
-W1	LPW-50			3.458
-2	LP-75	75 OHMS	VIOLET	3.785
-W2	LPW-75			3.458
-3	LP-93	93 OHMS	WHITE	3.785
-W3	LPW-93			3.458
-4	LP-4- $\triangle A$	$\triangle B$	BLACK	3.785
-W4	LPW-4- $\triangle A$			3.458
-5	LP-5- $\triangle A$		RED	3.785
-W5	LPW-5- $\triangle A$			3.458
-6	LP-6- $\triangle A$		GRAY	3.785
-W6	LPW-6- $\triangle A$			3.458
-7	LP-7		$\triangle B$	GREEN/BLACK

$\triangle A$ $\triangle B$

INCH	MM
.010	0.25
.030	0.76
.540	13.72
.590	14.99
.625	15.88
1.200	30.48
2.250	25.40
3.485	88.52
3.785	95.63



-W2, -W4-75, -W5-75 & -W6-75 SHOWN

- $\triangle A$ 50 OHMS DOUBLE SHIELDED RG223-H17/167-00001
- $\triangle B$ IMPEDANCE VALUE OF -4 THRU -W6, MAY BE -50, -75, OR -93 (OHMS), EXAMPLE: 1-0421-4-50, -4-75, ETC
- $\triangle A$ PREFIX "W" DENOTES W.E.CO. TYPE. ALL OTHERS ARE RCA
- 3. COAXIAL STANDARD SIZE LOOPING PLUG
- 2. FINISH: BARREL, TFS-II (NICKEL) CASE (SEE CHART)
- 1. ALL DIMENSIONS ARE IN INCHES

QTY	DESCRIPTION	PART NUMBER	ITEM
TOL UNLESS SPECIFIED .001 .002 .005 .010 ANGLES	TROMPETER RF connectivity	LP / LPW	
DWN CHK ENGR APPR	R L 12/21/98 12/21/98 722278	MATERIAL CODE IDENT 14948	DRAWING NO. REV 1-0421 H
NEXT ASSY	SCALE: 2/1	DATE 6-25-74	SHEET 1 OF 2