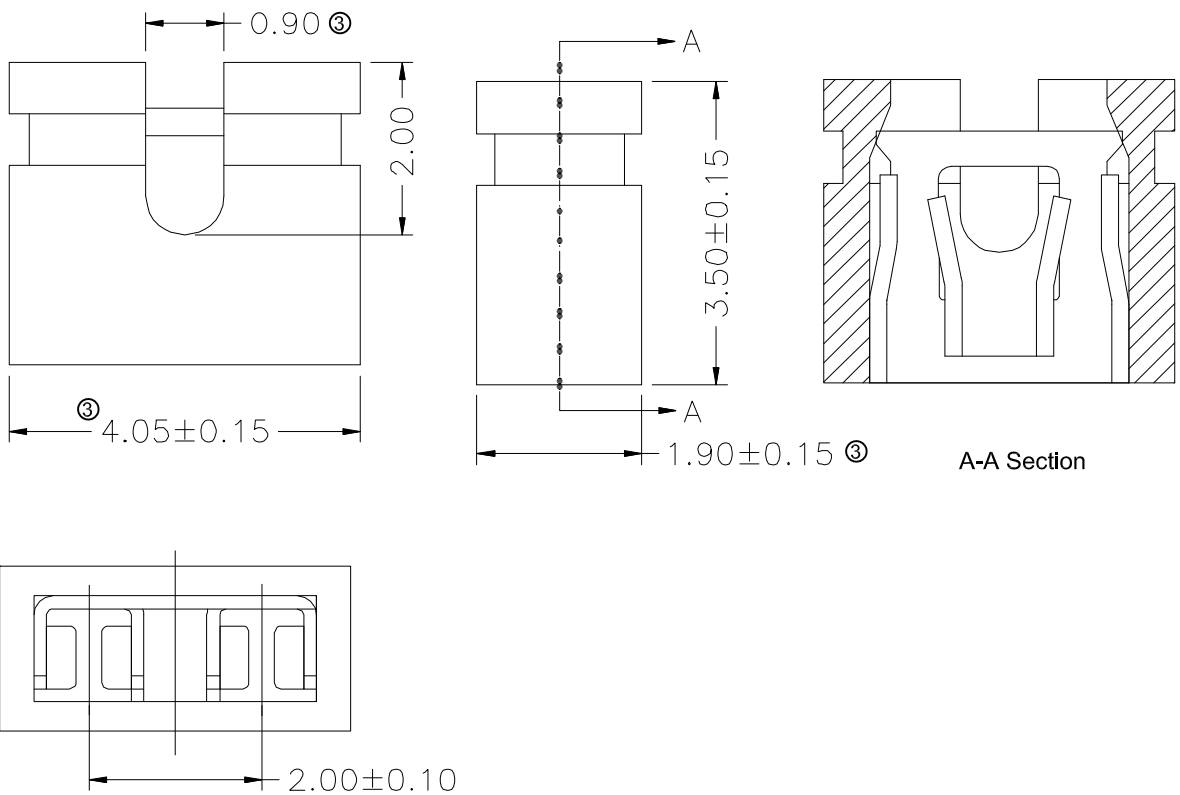


A
B
C
D
E
F
G
H



- NOTES:**
1. Insulation: 30% Glass Filled PBT, UL94V-0
 2. Contact : Phorphos Bronze
 - (3) 3. Current Rating: 1.5A Max
 4. Dielectric Voltage: 1000V rms / 1 minute
 - (3) 5. Insulation Resistance: 500M ohm Min.
 6. Contact Resistance: 30m ohm Max.
 7. Operating and Storage Temperature: -40°C ~ +105°C
 - (2) 8. Mating Cycles: 10 Min

AKSO-200/x
 Contact Area Plating: (2)
 G: Gold Flash

RoHS compliant
 Unit:mm

Scale	Free					Date	Name	Customer-No.
TOLERANCE						Drawn	26.08.2009	Rale
.X	±0.38					Approved	15.07.2020	Winnie
.XX	±0.25							ASSMANN WSW-No.
.XXX	±0.13	(3)	Change the plant	15.07.2020	Winnie			AKSO-200/x
DIM	TOL	(2)	Update	07.06.2013	Winnie	ASSMANN WSW components		Drawing-No.
X.°	±1°							ASS 3668 CO
Angle	TOL	(1)	Drawn	26.08.2009	Rale	Replace		SHEET
UNIT	mm	Id.	Modification	Date	Name			