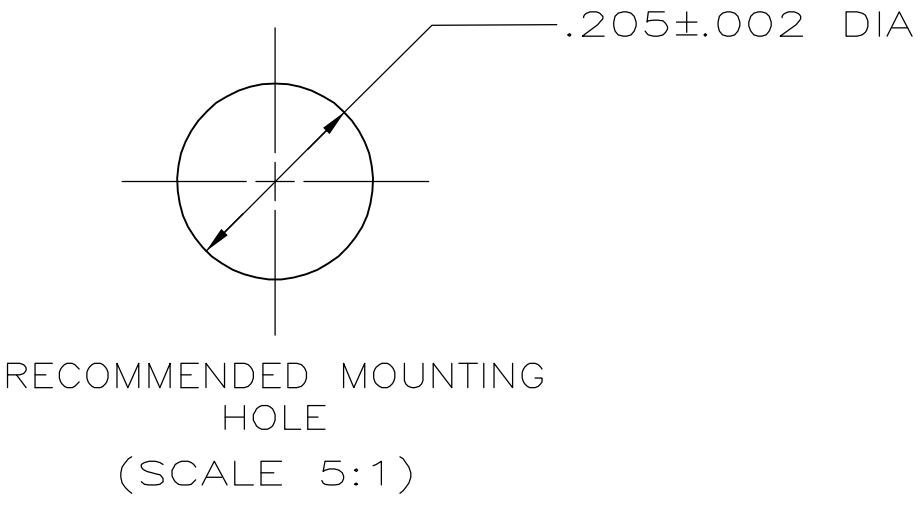
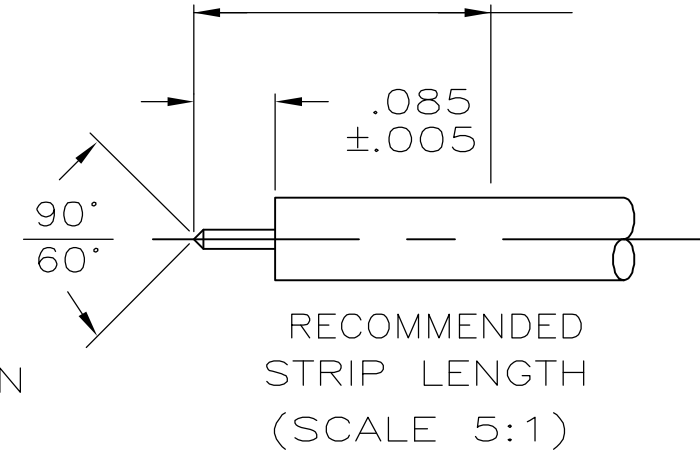
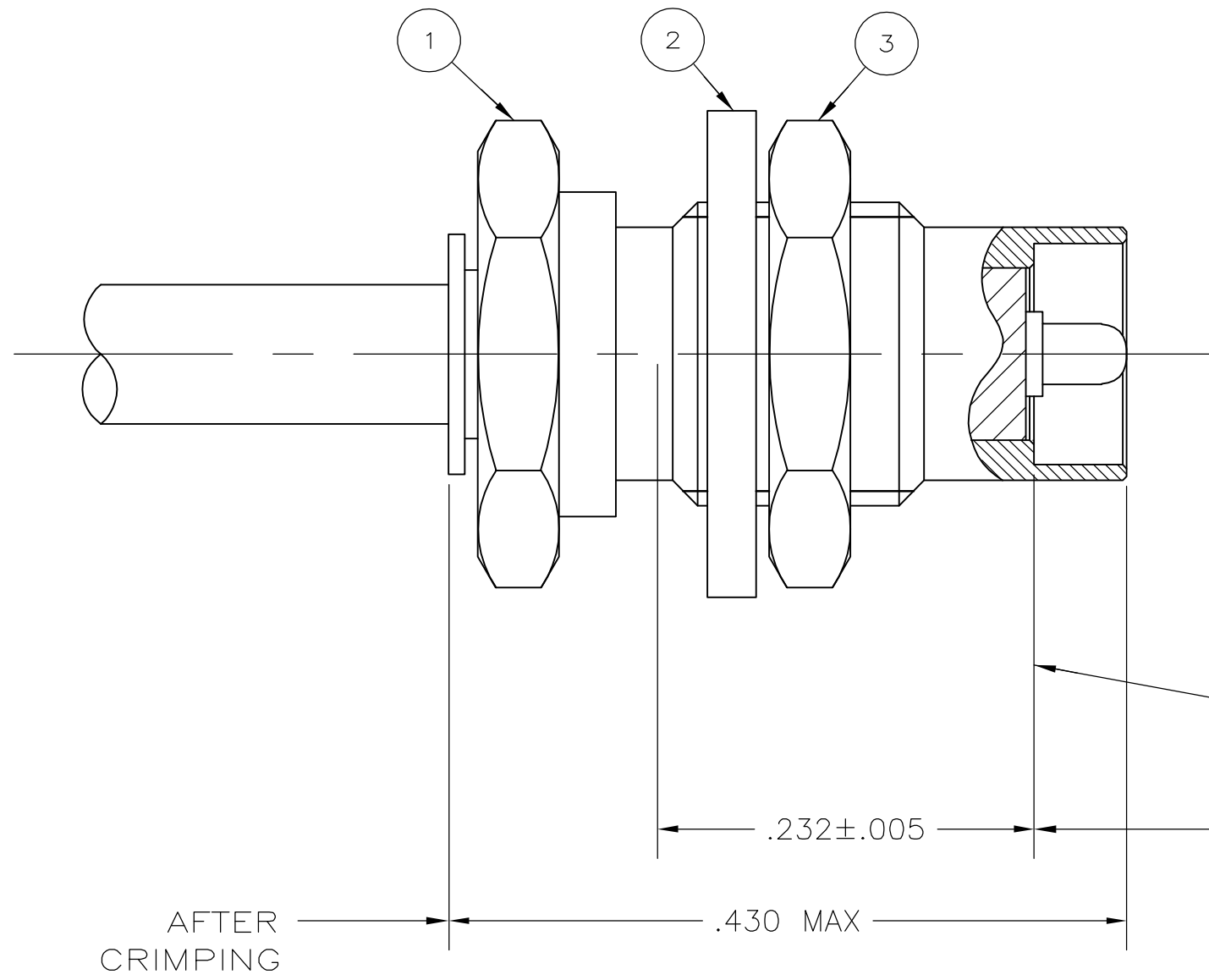


THIS DRAWING IS UNPUBLISHED. RELEASED FOR PUBLICATION
 © COPYRIGHT BY TYCO ELECTRONICS CORPORATION. ALL RIGHTS RESERVED.

LOC	DIST	REVISIONS					
AJ	16	P	LTR	DESCRIPTION	DATE	DWN	APVD
			E	REV PER 0H14-0274-04	20FEB01	VF	CT

1. FOR USE WITH RG-405 SEMI-RIGID CABLE.
2. USE CRIMPING TOOL 59980-1, AND LOCATOR 1752739-1.
3. .050 - .125 PANEL THICKNESS.
4. USE INSTRUCTION SHEET 408-9473.



1	449534-2	JAM NUT	3
1	415001-3	LOCKWASHER	2
1	449533-1	ASSEMBLY, JACK	1
QTY	PART NO	DESCRIPTION	ITEM NO

THIS DRAWING IS A CONTROLLED DOCUMENT.		DWN R.L. FISHER, JR. 03JAN89	Tyco Electronics Corporation Harrisburg, Pa 17105-3608	
DIMENSIONS: INCHES		CHK R.L. FISHER 01SEP93		
TOLERANCES UNLESS OTHERWISE SPECIFIED:		APVD R.L. FISHER 01SEP93	NAME JACK, BULKHEAD, BLIND MATE, 2.8MM	
0 PLC ± - 1 PLC ± - 2 PLC ± - 3 PLC ± - 4 PLC ± - ANGLES ± -		PRODUCT SPEC -	RESTRICTED TO -	
MATERIAL -		FINISH -	APPLICATION SPEC -	SIZE A3
		WEIGHT -	CAGE CODE 00779	DRAWING NO C-449529
CUSTOMER DRAWING			SCALE 10:1	SHEET 1 OF 1
			REV E	