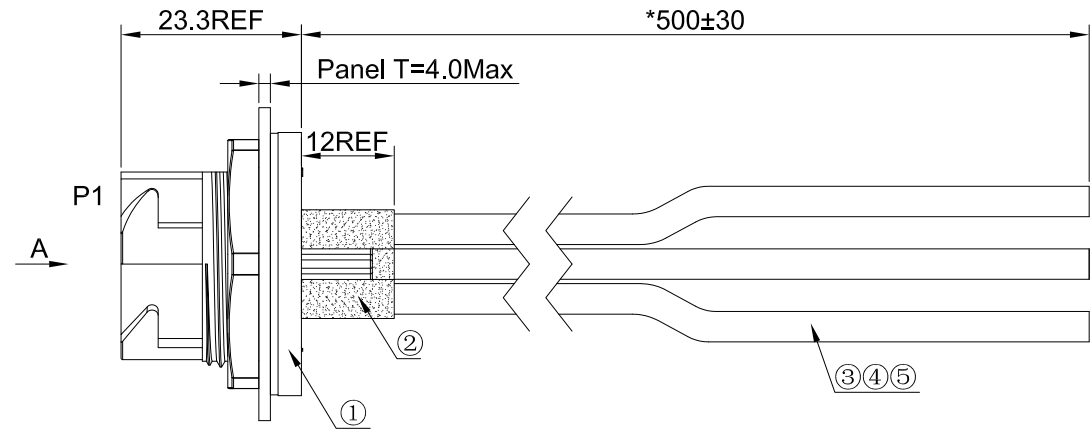
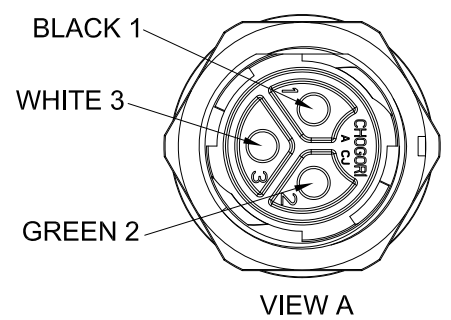
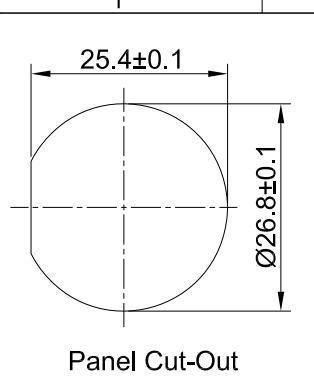


5		6		7		8	
REV.	ECN NO.	DATE	SIGN	DESCRIPTION			
C1	NA	2022/05/29	XU	First Version			



P/N: 24003635-01

SPECIFICATIONS:

- 1.INSULATION RESISTANCE: 10MΩ@500VDC/0.01S.
- 2.VOLTAGE RATING: 600V.
- 3.CURRENT RATING: 35A.
- 4.OPERATION TEMPERATURE: -10℃~+105℃.
- 5.WATERPROOF IPX7(MATED).
- 6.RoHS COMPLIANT.

5	900-00101-00181	A/R	M	UL1015 12AWG PVC 105℃ 600V WHITE OD3.94
4	900-00101-00137	A/R	M	UL1015 12AWG PVC 105℃ 600V GREEN OD3.94
3	900-00101-00106	A/R	M	UL1015 12AWG PVC 105℃ 600V BLACK OD3.94
2	504-00406-00	A/R	M	HEAT SHRINK TUBE OD5.0
1	24003635-01	1	PC	LARGE SERIES 3PIN PANEL MOUNT WITH FEMALE PIN(4 LOCKS,-501)
No.	Material No.	Q'ty	Unit	Material Description

Material List

UNIT:mm	TITLE LARGE SERIES 3PIN PANEL MOUNT WITH FEMALE PIN(4 LOCKS,-501) L=500MM	
未注线性和角度尺寸公差 UNSPECIFIED TOLERANCE	SCALE N/A	SHEET 1 of 1
GB/T 1804-M	REV. C1	SIZE A4 * Inspection Item

CHOGORI
Chogori Technology Co., Ltd

ITEM NO.	11C03622051506	DRAWN BY	XU	DATE	2022/05/29
DWG NO.	11C03622051506	CHECKED BY		DATE	2022.05.30 11:13:36 Kevin +08'00'
CUSTOMER NO.		REV.		APPROVED BY	

THIS INFORMATION IS CONFIDENTIAL AND IS DISCLOSED TO YOU ON CONDITION THAT NO FURTHER DISCLOSURE IS MADE BY YOU TO OTHER THAN CHOGORI PERSONNEL WITHOUT AUTHORIZATION FROM CHOGORI CORP.