

4

3

2

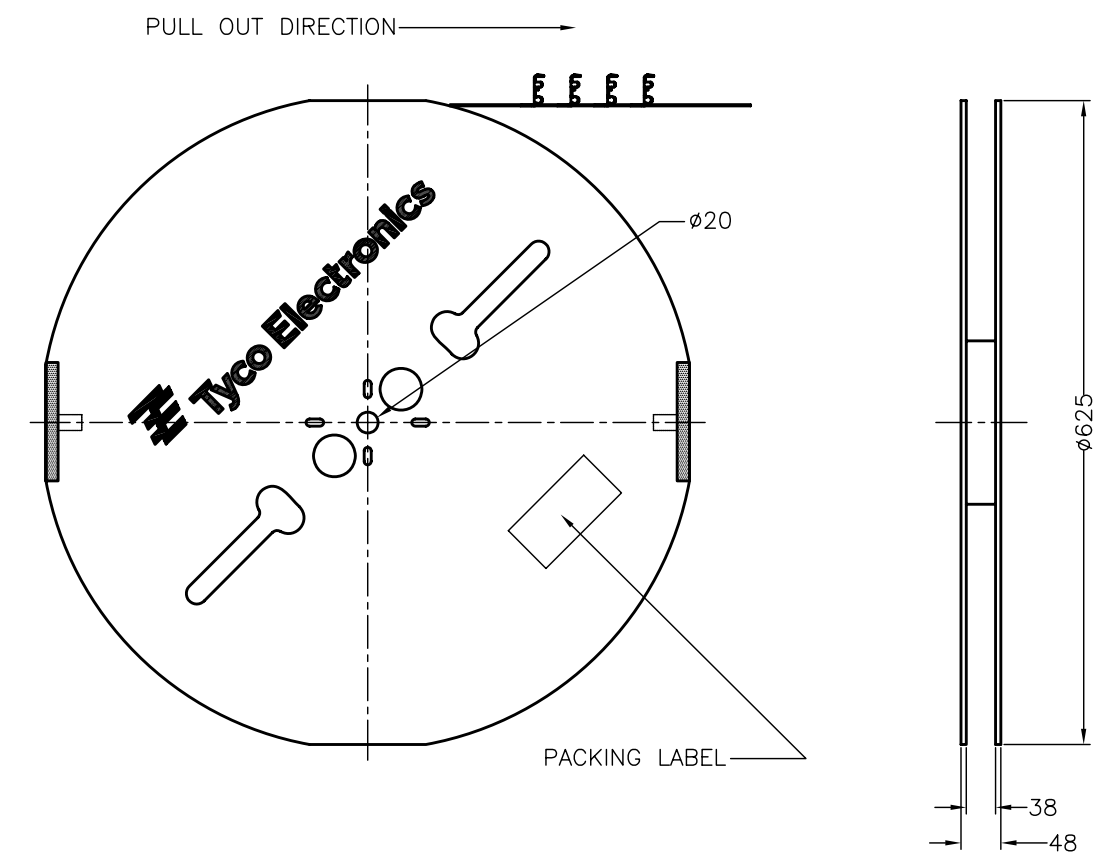
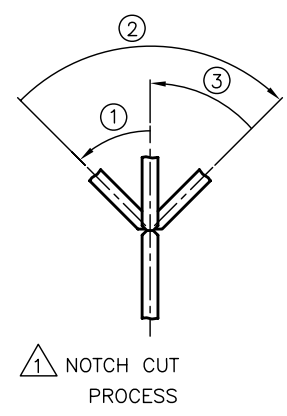
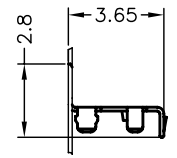
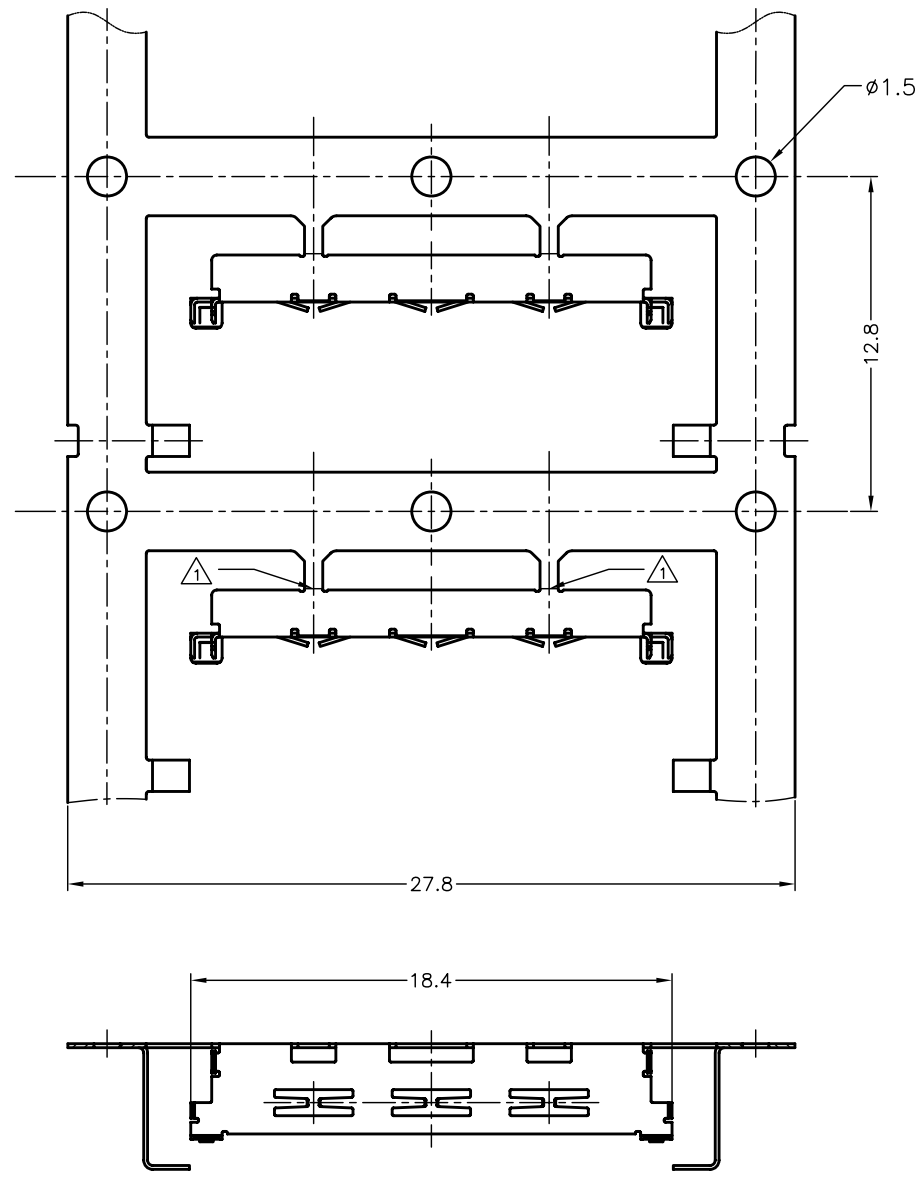
1

THIS DRAWING IS UNPUBLISHED. RELEASED FOR PUBLICATION
 © COPYRIGHT BY TYCO ELECTRONICS CORPORATION. ALL RIGHTS RESERVED.

LOC		DIST		REVISIONS			
P	LTR	DESCRIPTION	DATE	DWN	APVD		
B		REVISED (ECR-09-003087)	10FEB08	P.H	H.K		

2023352-1: AS SHOWN

NOTES
 1. NOTCH SHOULD BE CUT OFF WITHIN 3 PROCESS
 2. QUANTITY: 4000 PCS/REEL



ITEM	NAME	MATERIAL	FINISH/COLOR
①	LOWER SHELL	COPPER ALLOY	NI UNDER PL 0.0013mm MIN.ALL OVER TIN 0.002~0.005mm PL OVER UNDER NI PL

THIS DRAWING IS A CONTROLLED DOCUMENT.		DWN P.HSU 25NOV08	Tyco Electronics Corporation Taipi, Taiwan																		
DIMENSIONS: INCHES		CHK C.WAYDE 25NOV08	Tyco Electronics																		
TOLERANCES UNLESS OTHERWISE SPECIFIED:		APVD H.KODAMA 25NOV08	NAME																		
<table border="1"> <tr><td>0 PLC</td><td>±</td><td>±0.2</td></tr> <tr><td>1 PLC</td><td>-</td><td>±2</td></tr> <tr><td>2 PLC</td><td>±</td><td>±2</td></tr> <tr><td>3 PLC</td><td>±</td><td>±</td></tr> <tr><td>4 PLC</td><td>±</td><td>±</td></tr> <tr><td>ANGLES</td><td>±</td><td>±</td></tr> </table>		0 PLC	±	±0.2	1 PLC	-	±2	2 PLC	±	±2	3 PLC	±	±	4 PLC	±	±	ANGLES	±	±	PRODUCT SPEC	
0 PLC	±	±0.2																			
1 PLC	-	±2																			
2 PLC	±	±2																			
3 PLC	±	±																			
4 PLC	±	±																			
ANGLES	±	±																			
MATERIAL		APPLICATION SPEC																			
FINISH		WEIGHT																			
		SIZE A2																			
		CAGE CODE 00779																			
		DRAWING NO 2023352																			
		RESTRICTED TO																			
CUSTOMER DRAWING		SCALE 5:1																			
		SHEET 1 of 1																			
		REV B																			

2023352