

**GD03**  
0 to 10 N

# General Purpose 0.3cm-diameter Ultra-thin Flexible Pressure Sensor

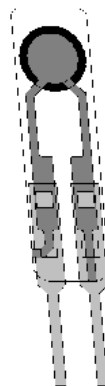
The Uneo™ pressure sensor series is a Wall Street Journal Technology Award-winning ultrathin flexible force sensing sensor suitable for a wide range of human-machine interface measurement from a gentle finger touch to full-body weighing scales. The patent-pending sensor technology employs the latest advances in piezoresistive polymer composite processing and printing-based micromachining technology to enable simple and high-quality linear output in the form of variable conductance (inverse of resistance) that is proportional to the input force.

## Features

- > Linearity Exceeding 99% over 0 to 10N
- > Capable of up to 10 Million Actuations
- > Wide Temperature Range -40°C ~ 60°C
- > Compatible with Simple Voltage-Divider Readout
- > Environmentally-Friendly Fabrication

ORDERING INFORMATION			
Device Name	Force Range	Sensor Type	Connector Type
Uneo GD03	0 – 10N	Resistive	Crimplex

Package



Uneo GD03

## Operating Characteristics

**Table 1.** Operating Characteristics ( $T_A = 25^\circ\text{C}$  unless otherwise noted, F is positive)

Characteristic	Symbol	Min	Typ	Max	Unit
Force Range <sup>(1)</sup>	$F_{OP}$	0	—	10	N
Linearity <sup>(2)</sup>	—	—	0.99	—	—
Repeatability <sup>(3)</sup>	—	—	—	$\pm 2$	%
Hysteresis <sup>(4)</sup>	—	—	—	$\pm 2$	%
Drift <sup>(5)</sup>	—	—	—	6	%/log(s)
Response Time <sup>(6)</sup>	$t_R$	—	—	0.1	ms
Temperature Sensitivity <sup>(7)</sup>	Y/T	—	—	0.35	%/ $^\circ\text{C}$

1. The equivalent pressure on sensor can be computed as the force on sensing area divided by the sensor area. Depending on the application, the usable force range could be higher than 10N.
2. Linearity indicates how well force vs. sensor conductance is correlated linearly. It is computed by taking the coefficient of determination, or  $R^2$ , of measurements in sensor's operating force range.
3. Repeatability accounts for how well the sensor can reproduce a reading when the same force is applied within the rated operating force range using precision actuation systems. Results could vary depending on the stability of mechanical setup.
4. Hysteresis is the difference between sensor output values when force is added or removed continuously from the sensor. The value is defined by the maximum difference in sensor output values, at the same force, during the loading and unloading of force in the rated operating force range.
5. Drift is the gradual shift the sensor output while the sensor is subjected to a fixed force, and is defined as percentage of shift relative to initial reading over time. Typically, the sensor conductance will increase gradually with time, so such factor should be considered to derive accurate force measurement.
6. Response time ( $t_R$ ) is defined as the time for the incremental change in the output to get from 10% to 90% of the final value when subjected to a change in applied force.
7. Temperature Sensitivity is measured by the percentage change in output conductance per change in operating temperature. The rating is only applicable when sensor is operated within conditions described in Table 2.

## Maximum Ratings

**Table 2.** Maximum Ratings

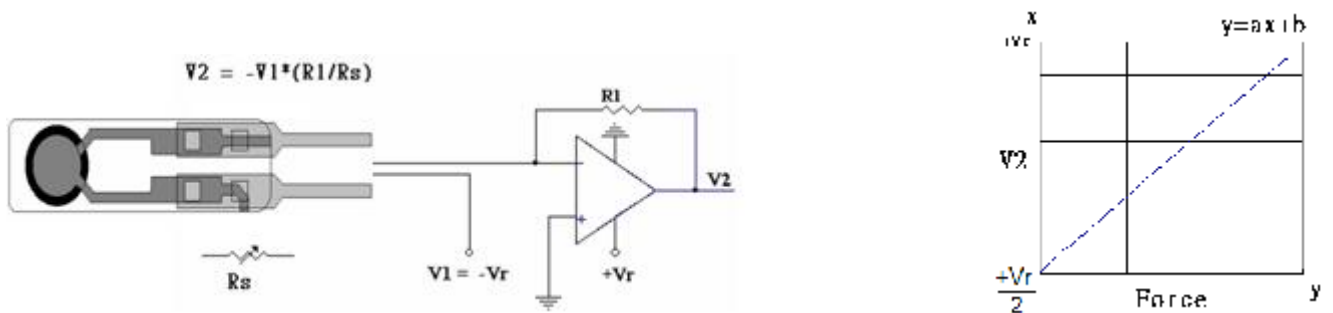
Rating	Symbol	Value	Unit
Storage Temperature	$T_{stg}$	-40 to +75	$^\circ\text{C}$
Operating Temperature	$T_A$	-40 to +60	$^\circ\text{C}$

**Operating beyond the specified limits could change the sensor output characteristic permanently.**

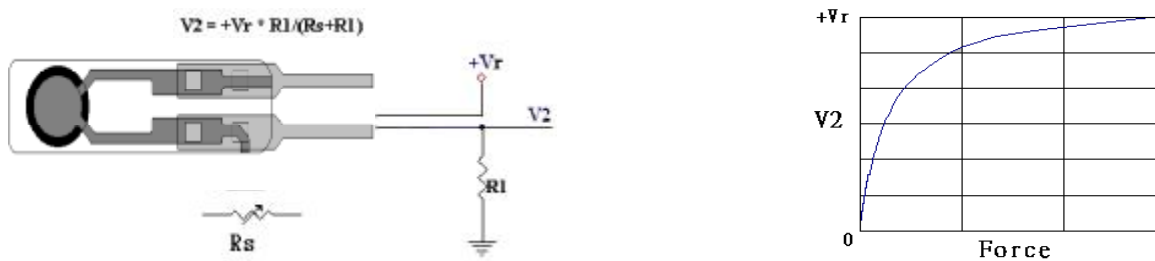
## Measurement Circuit

Two methods to measure UNEO sensor is shown below:

- Using an operational amplifier (OP-AMP) in an inverting configuration to obtain a voltage output that varies linearly with respect to force input. Use this circuit if high output linearity is desired.



- Using a fixed resistor R1 in a voltage divider configuration for an output V2 that increases with respect to added force. Use this circuit topology for budget or power-conscious applications.

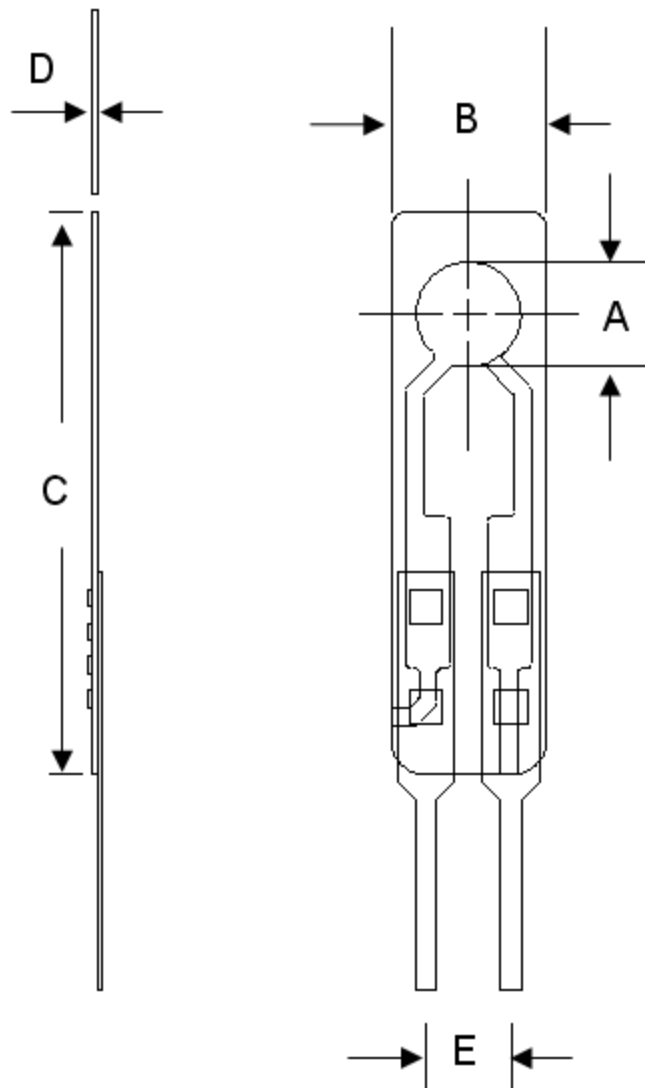


Note:

- R1 is 1Kohm to 100Kohm
- V2 is 0 to +Vr

## Dimension

DIM	Millimeters
A	3.0
B	4.6
C	16.7
D	0.2
E	2.54



## How to Reach Us:

**Uneo Inc. Website:**  
[www.uneotech.com](http://www.uneotech.com)

**Web Support:**  
[uneo@uneotech.com](mailto:uneo@uneotech.com)

**Uneo Inc.:**  
Address: 9F., No. 667, Bannan Rd.,  
Zhonghe District, New Taipei City 235, Taiwan  
Telephone : +886-2-22252018  
Facsimile : +886-2-22252056

Information in this document is provided solely to enable system and software implementers to use Uneo Incorporated products. There are no express or implied copyright licenses granted hereunder to design or fabricate any integrated circuits or integrated circuits based on the information in this document. Uneo Incorporated reserves the right to make changes without further notice to any products herein. Uneo Incorporated makes no warranty, representation or guarantee regarding the suitability of its products for any particular purpose, nor does Uneo Incorporated assume any liability arising out of the application or use of any product or circuit, and specifically disclaims any and all liability, including without limitation consequential or incidental damages. "Typical" parameters that may be provided in Uneo Incorporated data sheets and/or specifications can and do vary in different applications and actual performance may vary over time. All operating parameters, including "Typicals", must be validated for each customer application by customer's technical experts. Uneo Incorporated does not convey any license under its patent rights nor the rights of others. Uneo Incorporated products are not designed, intended, or authorized for use as components in systems intended for surgical implant into the body, or other applications intended to support or sustain life, or for any other application in which the failure of the Uneo Incorporated product could create a situation where personal injury or death may occur. Should Buyer purchase or use Uneo Incorporated products for any such unintended or unauthorized application, Buyer shall indemnify and hold Uneo Incorporated and its officers, employees, subsidiaries, affiliates, and distributors harmless against all claims, costs, damages, and expenses, and reasonable attorney fees arising out of, directly or indirectly, any claim of personal injury or death associated with such unintended or unauthorized use, even if such claim alleges that Uneo Incorporated was negligent regarding the design or manufacture of the part. Uneo™ and the Uneo logo are trademarks of Uneo Incorporated. All other product or service names are the property of their respective owners.