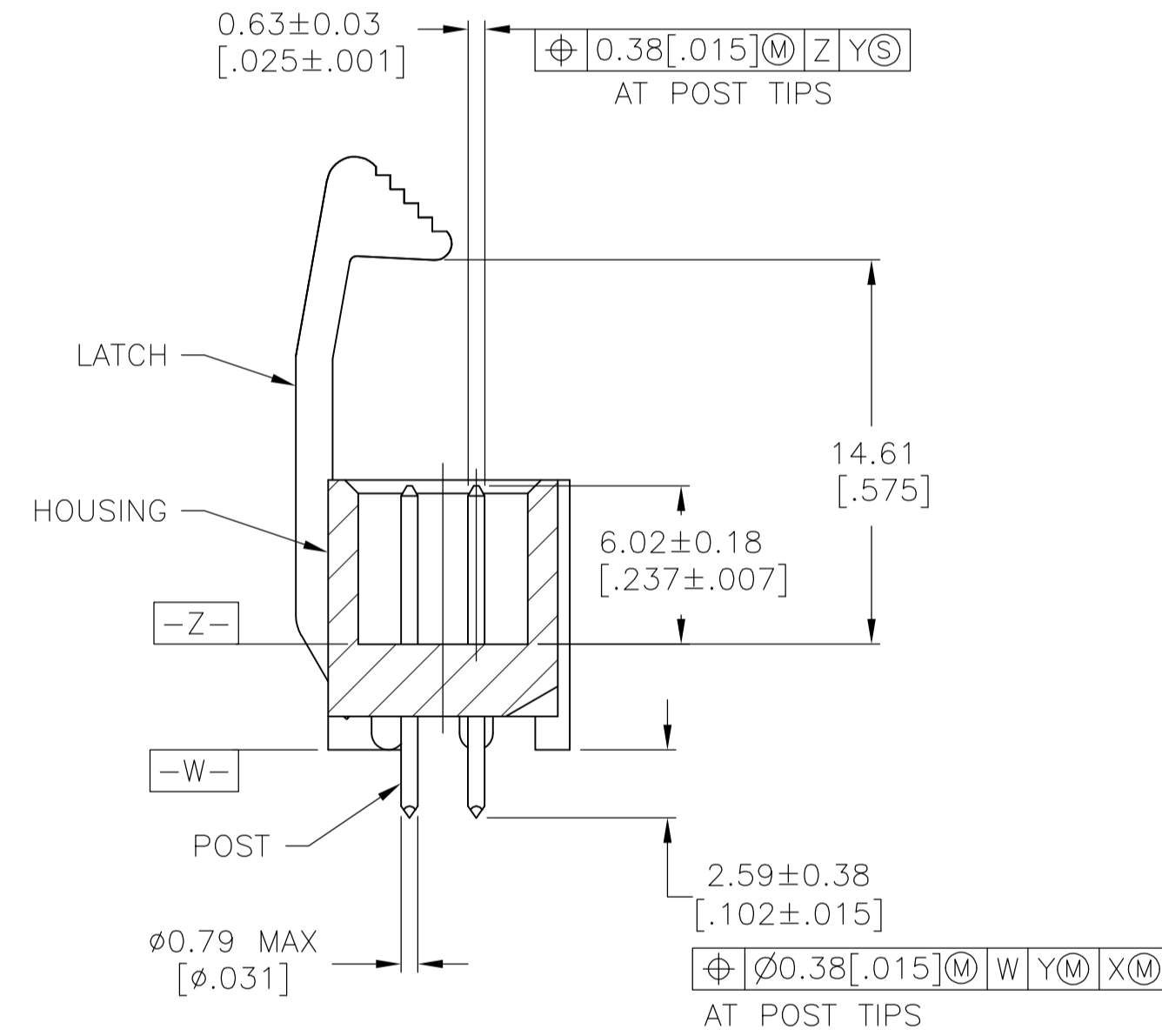
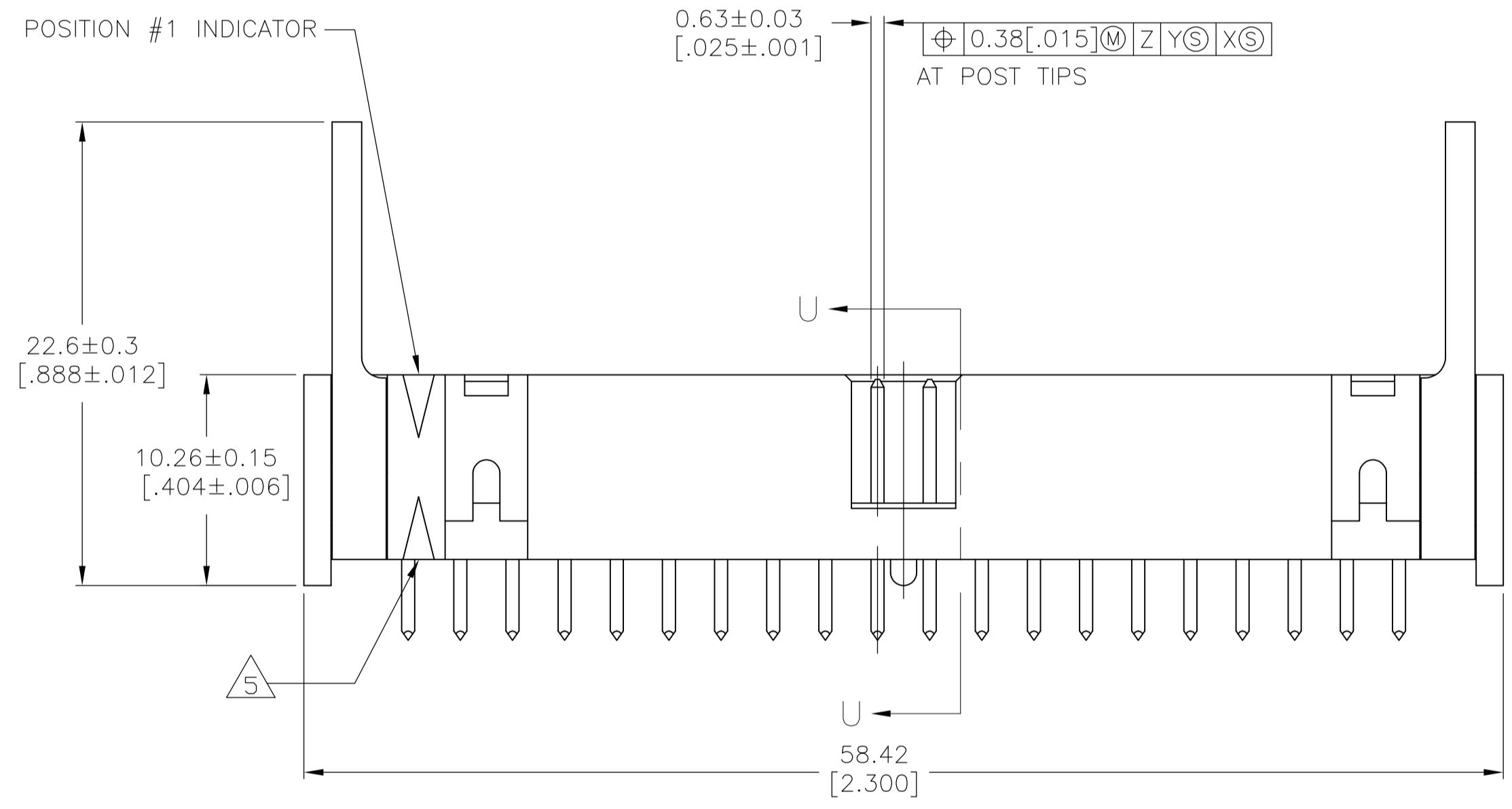
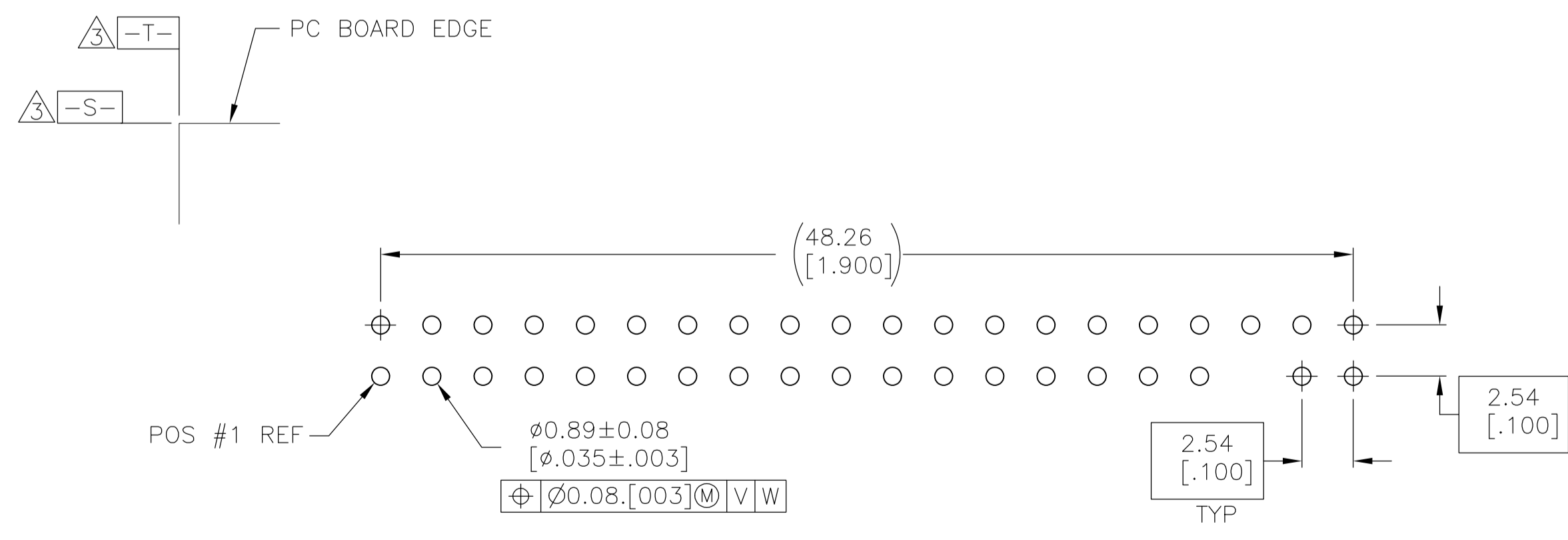


- ⚠ HOUSING: PBT, UL94V-0, COLOR: BLACK.
POSTS: PHOSPHOR BRONZE.
LATCHES: ZINC ALLOY.
- ⚠ POSTS: GOLD FLASH OVER PALLADIUM-NICKEL PLATE, 0.76µm[.000030] MIN TOTAL ON MATING AREA, 2.54µm[.000100] MIN TIN PLATE ON SOLDER-TAIL, ALL OVER 1.27µm[.000050] MIN NICKEL UNDERPLATE ON ENTIRE POST.
OR
0.76µm[.000030] MIN GOLD PLATE ON MATING AREA, 2.54µm[.000100] MIN TIN PLATE ON THE SOLDER-TAIL, 1.27µm[.000050] MIN NICKEL UNDERPLATE ON THE ENTIRE POST.
LATCHES: BLACK NICKEL OVER COPPER.
- ⚠ DATUMS S & T TO BE ESTABLISHED BY CUSTOMER.
- ⚠ PIN 35 OMITTED.
- ⚠ ALTERNATE LOCATION/ORIENTATION FOR POSITION #1 INDICATOR.



SECTION U-U



RECOMMENDED PC BOARD LAYOUT
(VIEWED FROM CONNECTOR SIDE)

2132245-1
PART NUMBER

THIS DRAWING IS A CONTROLLED DOCUMENT.		DWG C. ROHLER	10DEC09	Tyco Electronics Corporation Harrisburg, PA 17105-3608
DIMENSIONS: mm [INCHES]		CHK S. BOLASH	10DEC09	
TOLERANCES UNLESS OTHERWISE SPECIFIED:		APVD S. BOLASH	10DEC09	NAME HEADER ASSEMBLY, LONG EJECT LATCH, VERTICAL, 40 POSITION, LOW PROFILE, IDC
0. PLC ± -		PRODUCT SPEC 108-40018		APPLICATION SPEC
1. PLC ± -		SIZE		CAGE CODE
2. PLC ± -		WEIGHT		DRAWING NO
3. PLC ± 0.13[.005]		A1		00779
4. PLC ± -		CUSTOMER DRAWING		SCALE 4:1
ANGLES ± -		SHEET 1 OF 1		REV A