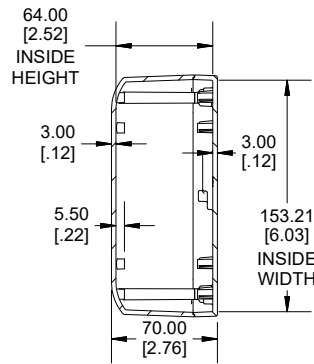
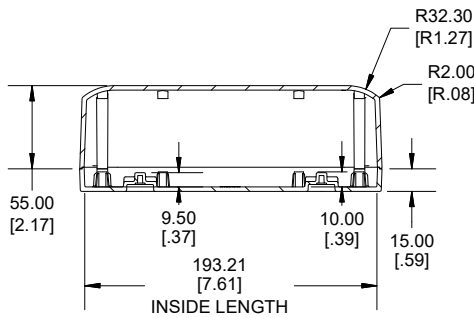


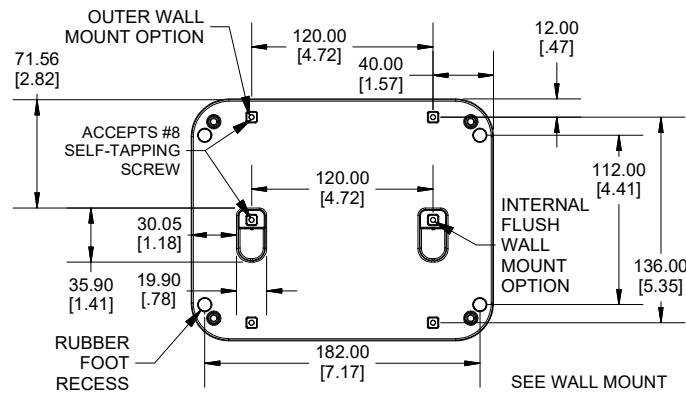
TOP VIEW



SECTION B-B
END VIEW

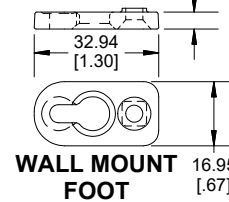


SECTION A-A
SIDE VIEW

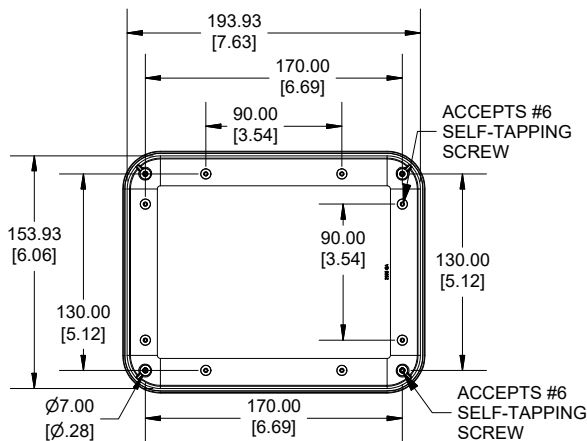


WALL MOUNT FOOT VIEW

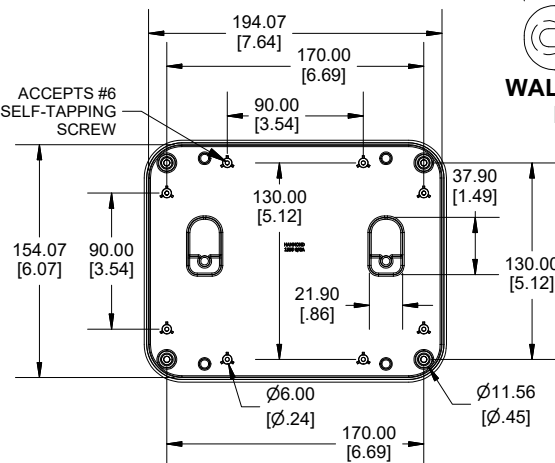
SEE WALL MOUNT INSTRUCTION SHEET



WALL MOUNT FOOT



INSIDE LID



INSIDE BOX

Enclosures can be Factory Modified (Milling, Drilling, Printing etc.)
Contact Factory (modshop@hammfg.com) for quotes
Solid models of this enclosure available in .stp or .x_t
(Part number and text placement/orientation on our products are subject to change, we do not recommend using them as a locating reference for modification purposes)

NOTE	
Purchased assembly includes box, lid, 4 cover screws and 4 rubber feet. Molded from FRABS (UL94-V0) plastic	
Recommended Cover Screw Torque - 71-85 ozf-in (50-60 cN-m)	
Recommended PCB Screw Torque - 42-56 ozf-in (30-40 cN-m)	

1556		
1556GA Enclosure		
Flame Retardant ABS Black Enclosure		1556GABK
Flame Retardant ABS Grey Enclosure		1556GAGY
Flame Retardant ABS White Enclosure		1556GAWH
ACCESSORIES		
Clear Rubber Feet (Pkg 24)		1421T6CL
Steel Cover Screws [#6 X 1/2" Self Tapping] (Pkg 50)		SC527-50
Steel P.C.Board Screw [#6 X 1/4" Self Tapping] (Pkg 50)		SC526-50
Stainless Steel Wall Mount foot Screw [#8 X 3/8" Self Tapping] (Pkg 50)		SC556-50
Wall Mount Foot Kit [wall mount foot] (Pkg 4) [#8 X 3/8" Self Tapping] (Pkg 4)	FR ABS Grey	1556FOOTGY-4
	FR ABS Black	1556FOOTBK-4
	FR ABS White	1556FOOTWH-4

Dimensions:
mm
[inches]

**HAMMOND
MANUFACTURING®**
1556GA
www.hammondmfg.com