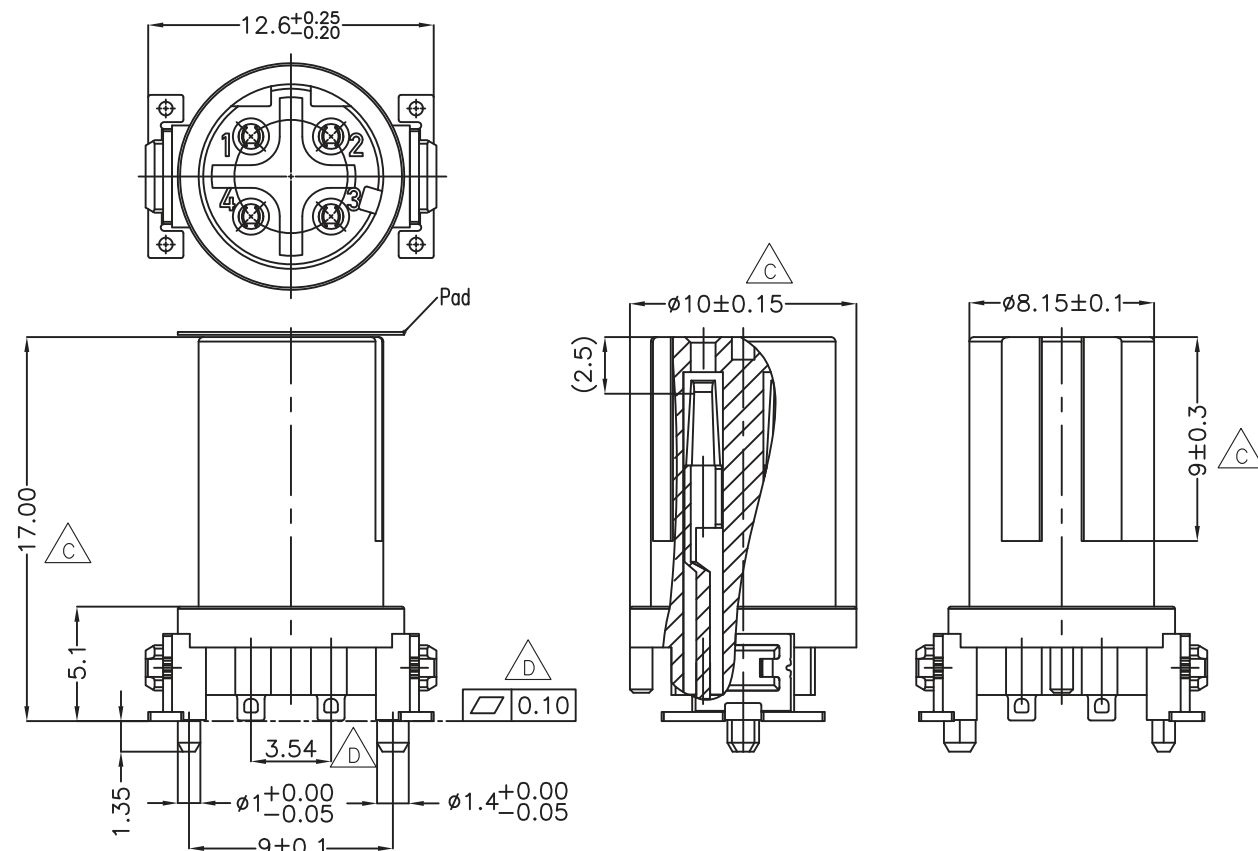
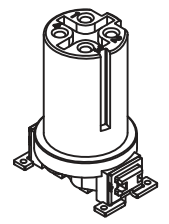


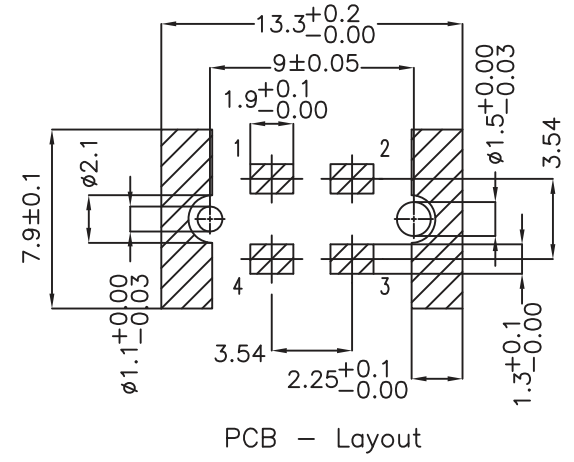
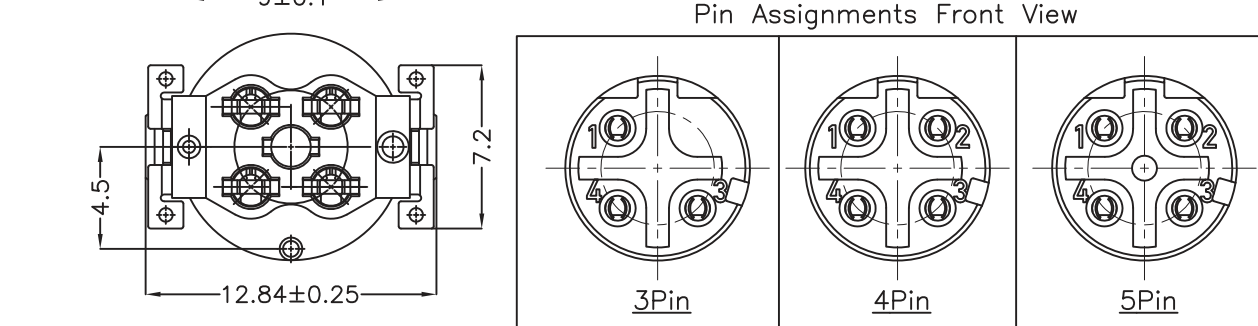
RoHS Compliant



Specifications:
 Current rating: 4A AC,DC
 Voltage rating: 250V AC,DC
 Contact resistance: 10m ohm.Max $\triangle C$
 Insulation resistance: 100M ohm.Min $\triangle C$
 Withstanding Voltage:500V AC/Minute $\triangle C$
 Operating temperature range:-40C~85C
 Mechanical:
 Durrability:200 Cycles $\triangle B$
 Material and Finish
 Insulator:High Temp. Plastic(LCP UL94V-0)
 Insulator Color:Black
 Contacts: Phosphor Bronze
 Plated:
 Terminal: Nickel under 80~120U*, Gold Plated 30U*
 Metal Tab: Copper Alloy,Nickle under 40~80U*, Matte Tin
 Plated 160~240U*



How To Order:
M12-XXSDSMXX-TR $\triangle E$
 Tape & Reel
 Blank:Selective Gold Plated 1u”
 30:Selective Gold Plated 30u”
 D Coding
 S:Socket
 No. of Contacts
 M12 Series



F				DRAWN:	GENERAL TOLERANCE:	 ON-SHORE TECHNOLOGY, INC.
E	08-Nov-2019	$\triangle E$ modify part number	Andrew	Pingchia	.X=±0.2 .XX=±0.15	
D	16-May-2018	$\triangle D$ add 3.54; $\square 0.10$ delete:0.03+0.07/-0.015	Andrew	CHECKED:	UNIT: MM	DESCRIPTION: Federleiste M12 D Cod. 4polig 17mm Type SMD
C	16-Apr-2018	$\triangle C$ amend tolerance ect. 30m ohm-10m ohm ect.	Andrew		SCALE:1:1	
B	03-Apr-2018	$\triangle B$ add:Durrability 200 Cycles	Andrew	APPROVAL:	SHEET: 1 / 1	PART NO: M12-XXSDSMXX-TR
A	14-Dec-2017	(P0001)	Pingchia		PROJECTION:	
REV	DATE	FILE	BY	Mike Wu		