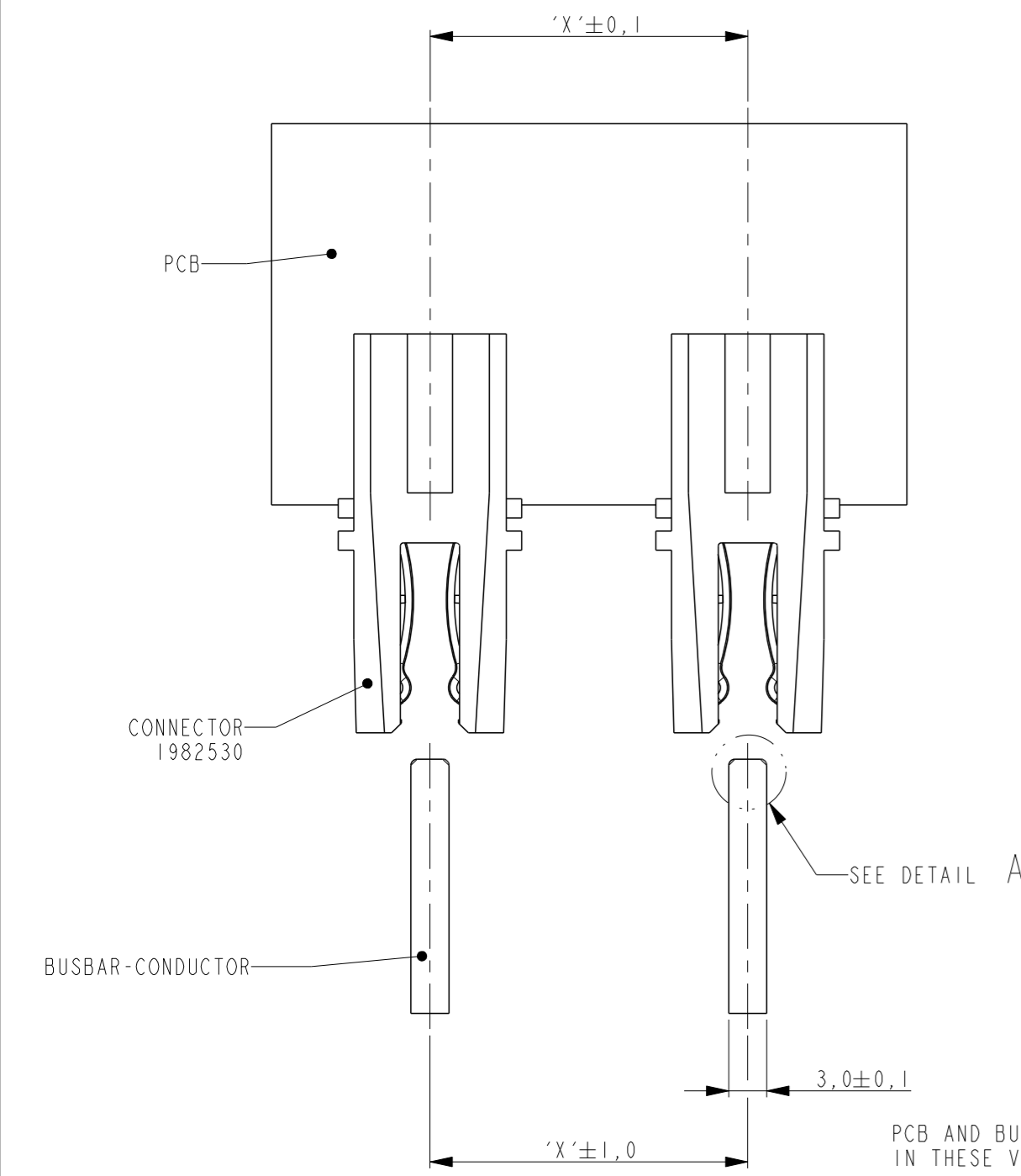
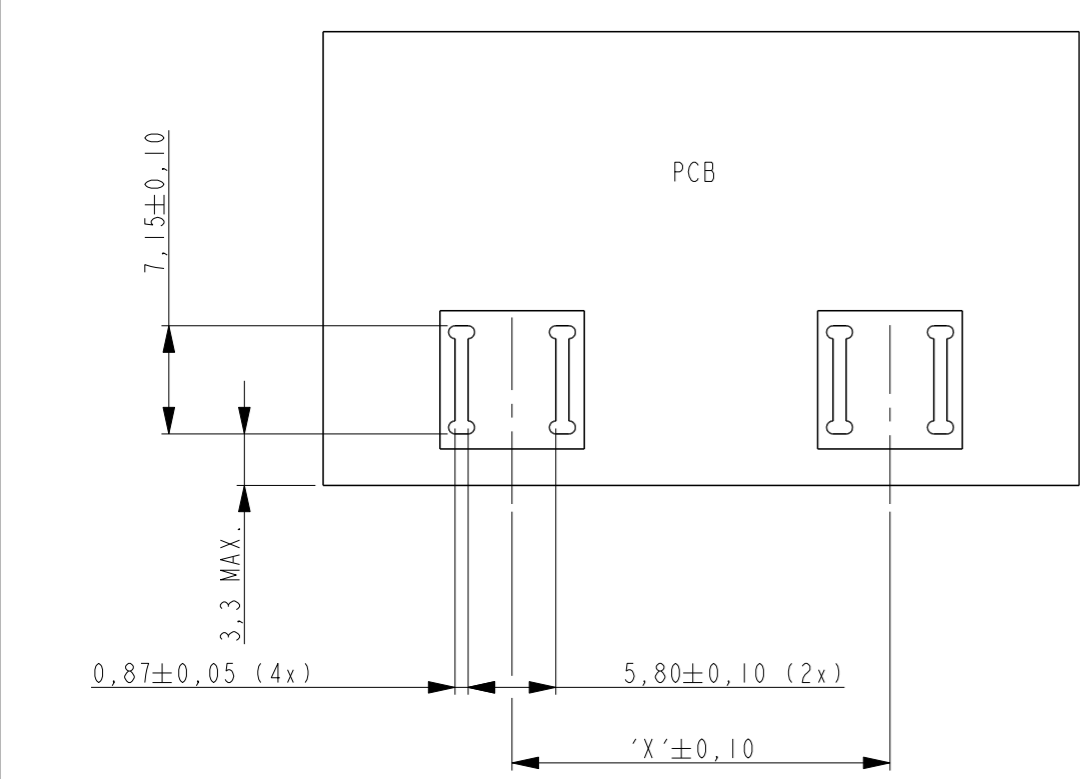
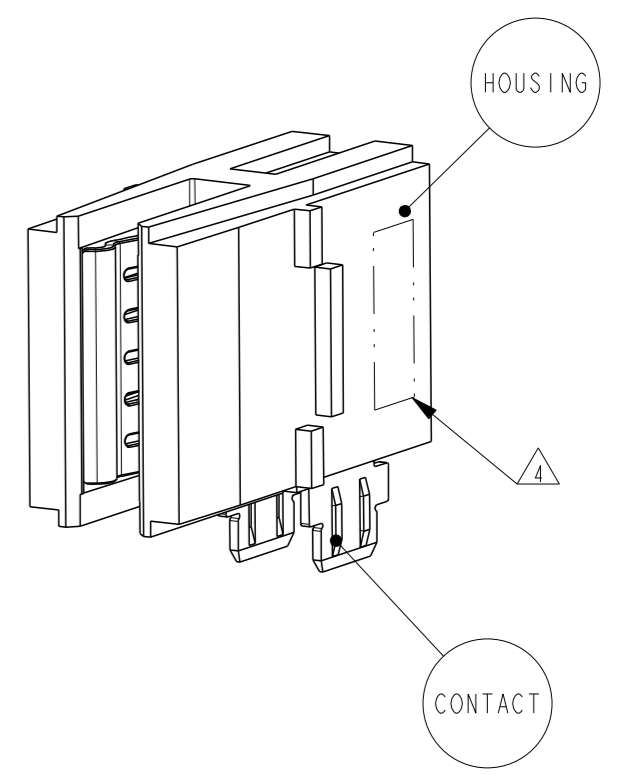
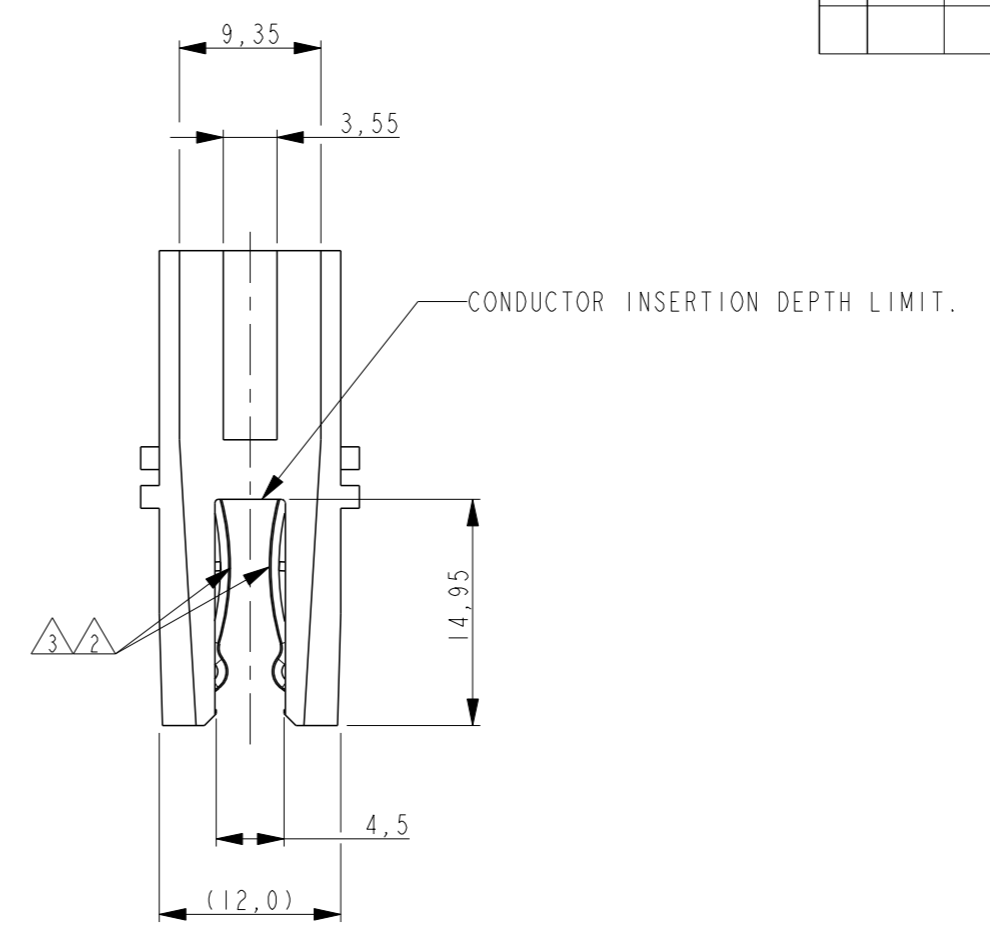
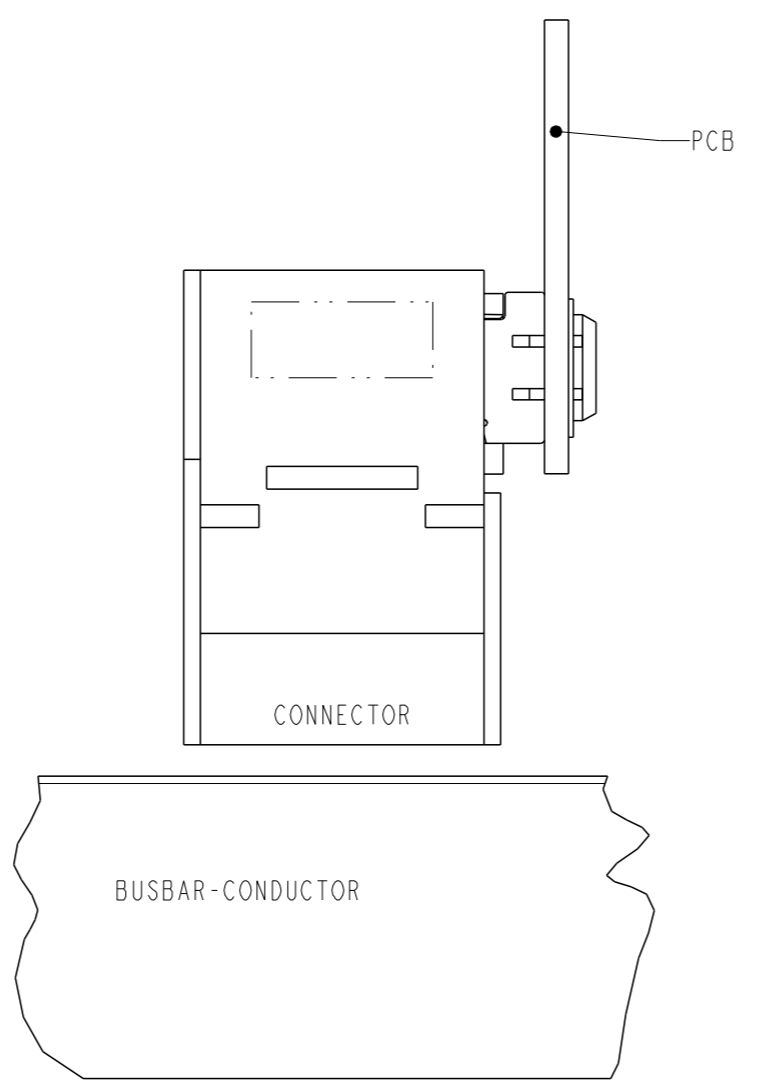


THIS DRAWING IS UNPUBLISHED. RELEASED FOR PUBLICATION  
 © COPYRIGHT - BY - ALL RIGHTS RESERVED.

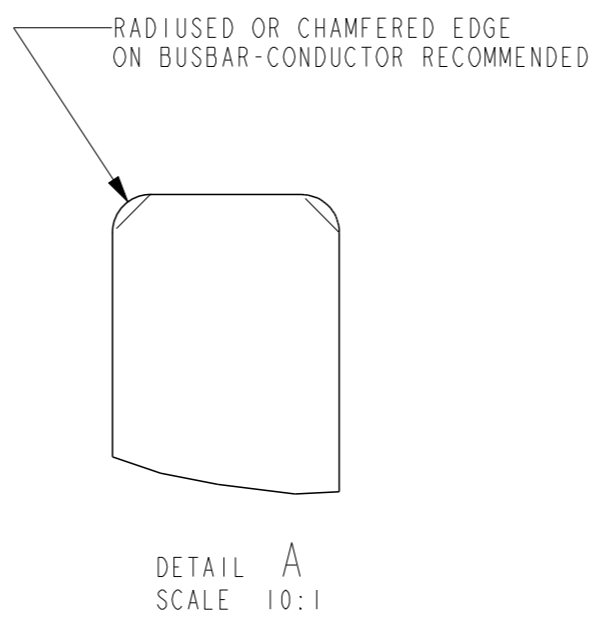
| LOC | DIST | REVISIONS |     |                       |           |     |      |
|-----|------|-----------|-----|-----------------------|-----------|-----|------|
| ES  | 00   | P         | LTR | DESCRIPTION           | DATE      | DWN | APVD |
|     |      | A3        |     | REV PER ECR-15-005882 | 20APR2015 | ML  | SZ   |



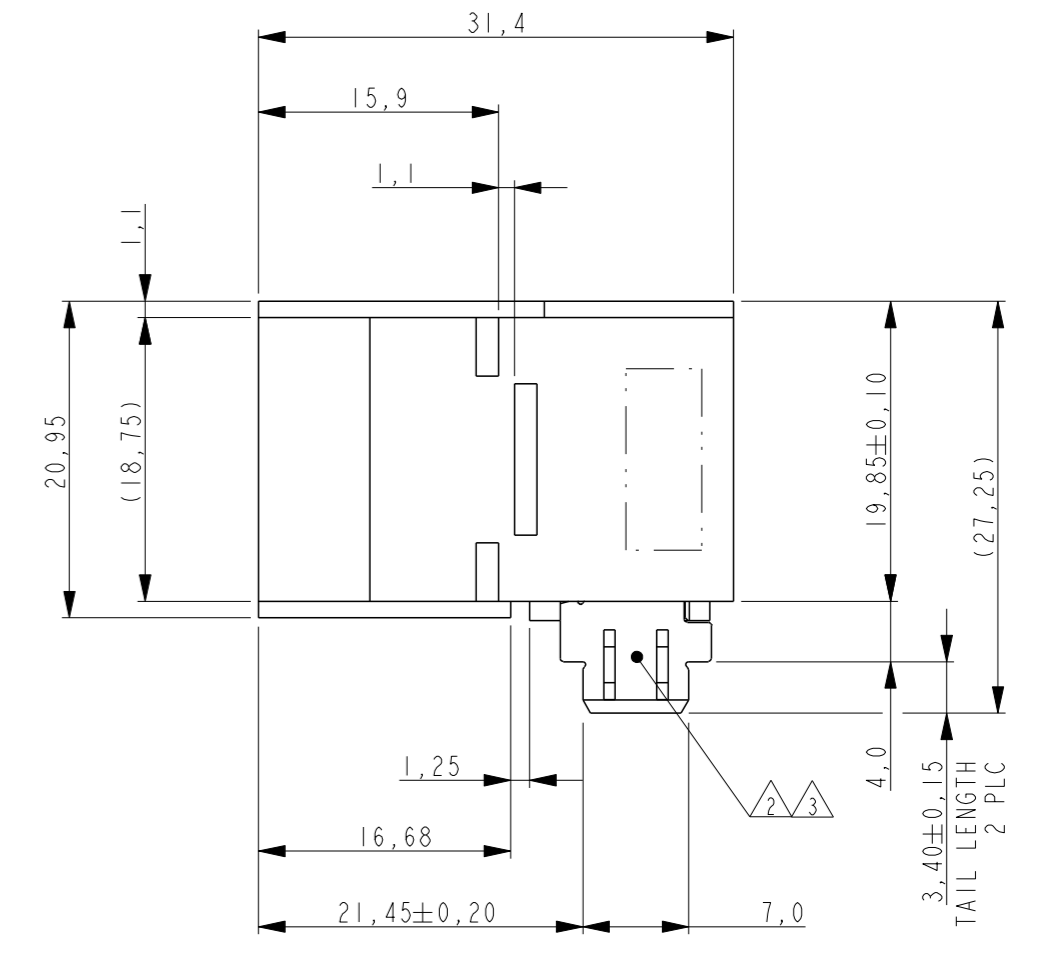
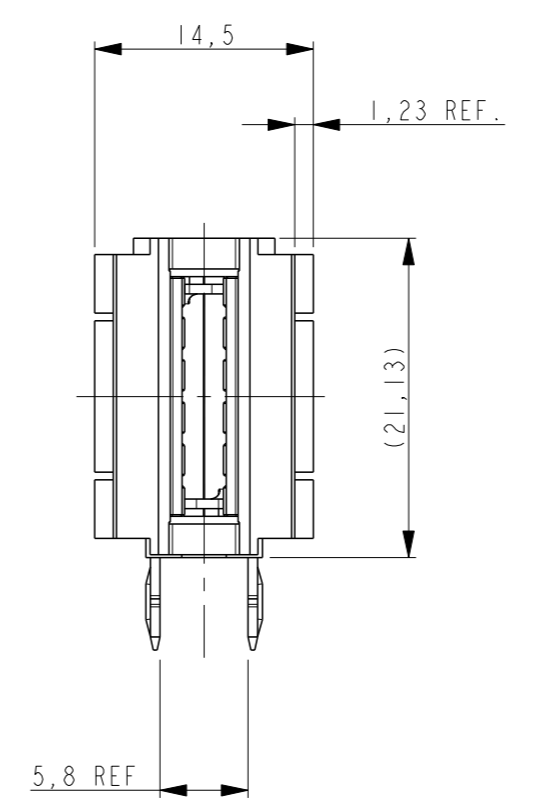
PCB AND BUSBAR-CONDUCTORS, IN THESE VIEWS ARE SHOWN FOR REFERENCE ONLY.



RECOMMENDED PCB LAY-OUT  
 THICKNESS: 1,5 - 2,0mm



- NOTES:
- 1 PCB MUST BE SUPPORTED WHILE INSERTING THE CONNECTOR IN THE SLOTS TO AVOID BENDING OF THE BOARD.
  - 2 PLATING: 1,2µm MIN. NICKEL UNDERLAYER ALLOVER.
  - 3 3,0µm MIN. TIN IN INDICATED AREA'S.
  - 4 AREA FOR DATE-CODE.
  5. MATERIAL:  
 HOUSING: THERMOPLASTIC, BLACK, UL94 V-0  
 POWER CONTACT: HIGH CONDUCTIVITY COPPER ALLOY
  - 6 LUBRICANT ON CONTACT MATING AREA.



THIS DRAWING IS A CONTROLLED DOCUMENT.

|             |  |
|-------------|--|
| DIMENSIONS: | TOLERANCES UNLESS OTHERWISE SPECIFIED: |
| mm          |  |
|             | 0 PLC ±                                |
|             | 1 PLC ±0.3                             |
|             | 2 PLC ±0.15                            |
|             | 3 PLC ±0.05                            |
|             | 4 PLC ±                                |
| MATERIAL    | ANGLES ±2°                             |
|             | FINISH                                 |

|   |   |             |      |
|---|---|-------------|------|
| 6 | CROWN CLIP JUNIOR SOLDER VERSION W/ LUBRICANT | 2178517-2   | 2    |
|   | CROWN CLIP JUNIOR SOLDER VERSION              | 2178517-1   | 1    |
|   | DESCRIPTION                                   | PART NUMBER | ITEM |

|                            |  |   |                     |
|----------------------------|--|---|---------------------|
| DWN SUDHAKAR 09 Jan 13     |  | <b>STE</b> TE Connectivity                                  |                     |
| CHK SUDHAKAR 09 Jan 13     |  |   |                     |
| APVD RAJENDRA 09 Jan 13    |  | NAME  |                     |
| PRODUCT SPEC 108-19360     |  | PLUGGABLE BUSBAR CONNECTOR SOLDER VERSION CROWN CLIP JUNIOR |                     |
| APPLICATION SPEC 114-19128 |  | SIZE  | RESTRICTED TO       |
| WEIGHT -                   |  | A2 00779 C=2178517  | -                   |
| Customer Drawing           |  | SCALE 2:1   | SHEET 1 OF 1 REV A3 |