

SACB-QO SET - Screw connection set



1293751

<https://www.phoenixcontact.com/us/products/1293751>

Please be informed that the data shown in this PDF document is generated from our online catalog. Please find the complete data in the user documentation. Our general terms of use for downloads are valid.

QUICKON set for replacement purposes, consisting of splice ring, pressure nut and line seal



Your advantages

- Innovative and time-saving assembly with insulation displacement connection

Commercial data

Item number	1293751
Packing unit	1 pc
Minimum order quantity	1 pc
Sales key	BF50
Product key	BF6UCX
GTIN	4063151529260
Weight per piece (including packing)	115.7 g
Weight per piece (excluding packing)	114.8 g
Customs tariff number	85366990
Country of origin	DE

SACB-QO SET - Screw connection set

1293751

<https://www.phoenixcontact.com/us/products/1293751>

Technical data

Notes

General	NOTE: Observe the permissible bending radii when laying conductors, since the degree of protection may be put in jeopardy if the bending forces are too high. Alleviate mechanical loads upstream of the connector, e.g. by using cable ties.
General	Package contents: 16 pieces

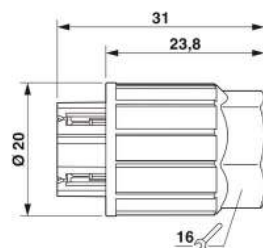
Product properties

Product type	Installation pressure nut
Number of positions	5

Signaling

Status display present	No
------------------------	----

Dimensions

Dimensional drawing	
Width	20 mm
Height	20 mm
Length	31 mm
Wrench size, union nut	16 mm

Material specifications

Material	PA 6.6
Flammability rating according to UL 94	V0
Seal material O-ring	FKM
Wire insulation material	PVC / PE / PP / rubber

Cable/line

Sensor/actuator connection system	QUICKON
Stripping length for sheath	60 mm

Environmental and real-life conditions

Ambient conditions

Degree of protection	IP65
Ambient temperature (operation)	-30 °C ... 80 °C

SACB-QO SET - Screw connection set



1293751

<https://www.phoenixcontact.com/us/products/1293751>

-5 °C ... 50 °C (During assembly)

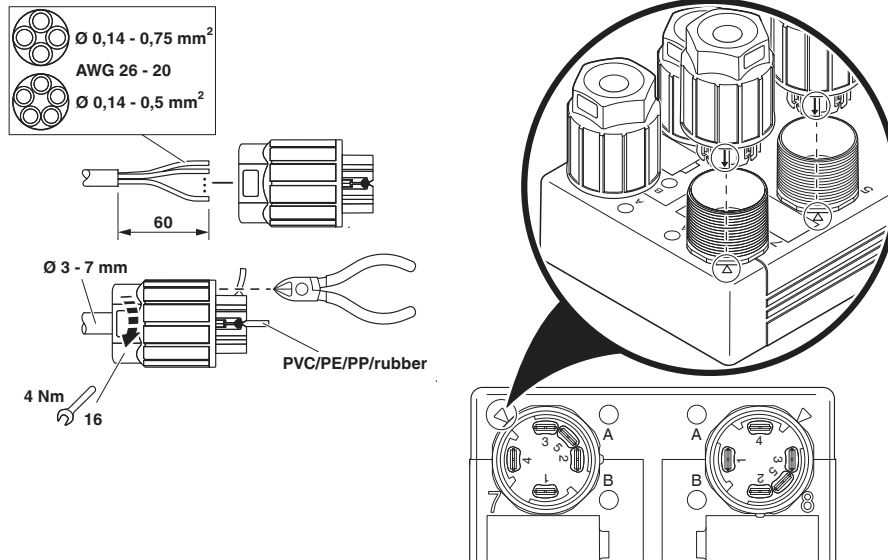
SACB-QO SET - Screw connection set

1293751

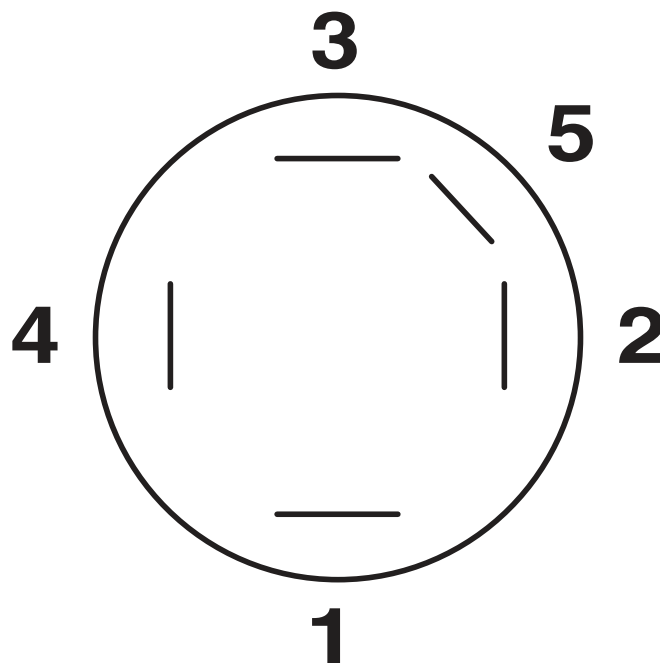
<https://www.phoenixcontact.com/us/products/1293751>

Drawings

Functional drawing



Schematic diagram

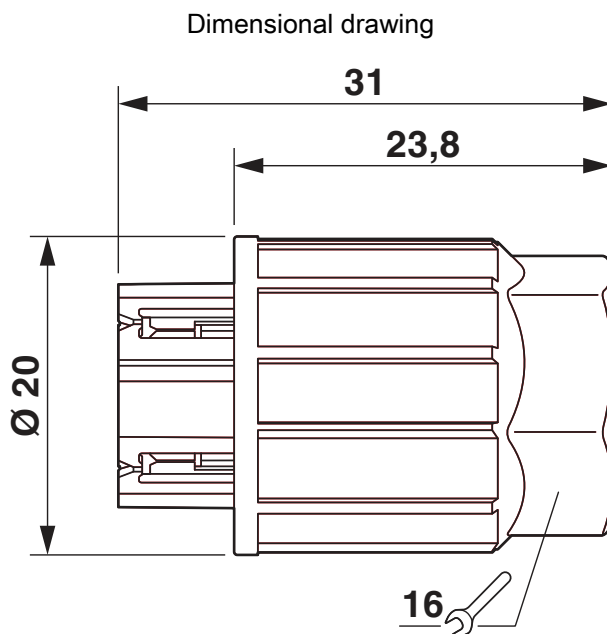


QUICKON connection, 5-pos.

SACB-QO SET - Screw connection set

1293751

<https://www.phoenixcontact.com/us/products/1293751>



SACB-QO SET - Screw connection set



1293751

<https://www.phoenixcontact.com/us/products/1293751>

Classifications

ECLASS

ECLASS-11.0	27440691
ECLASS-13.0	27440691
ECLASS-12.0	27440691

ETIM

ETIM 8.0	EC002863
----------	----------

UNSPSC

UNSPSC 21.0	39121400
-------------	----------

SACB-QO SET - Screw connection set



1293751

<https://www.phoenixcontact.com/us/products/1293751>

Environmental product compliance

China RoHS	Environmentally friendly use period: unlimited = EFUP-e No hazardous substances above threshold values
------------	---

SACB-QO SET - Screw connection set

1293751

<https://www.phoenixcontact.com/us/products/1293751>

Mandatory accessories

SACB-4/ 8-C QO - Sensor/actuator box

1156003

<https://www.phoenixcontact.com/us/products/1156003>



Sensor/actuator box, connection method: QUICKON, 0.14 mm² ... 0.75 mm², number of slots: 4, number of positions: 5, slot assignment: Double, status display: No, Universal; master cable connection: Pluggable screw connection 180°, shielding: no, When connecting 5 conductors, max. 0.5 mm² can be connected

SACB-8/16-C QO - Sensor/actuator box

1156004

<https://www.phoenixcontact.com/us/products/1156004>



Sensor/actuator box, connection method: QUICKON, 0.14 mm² ... 0.75 mm², number of slots: 8, number of positions: 5, slot assignment: Double, status display: No, Universal; master cable connection: Pluggable screw connection 180°, shielding: no, When connecting 5 conductors, max. 0.5 mm² can be connected

SACB-QO SET - Screw connection set

1293751

<https://www.phoenixcontact.com/us/products/1293751>

SACB-4/ 8-L-C QO - Sensor/actuator box

1156005

<https://www.phoenixcontact.com/us/products/1156005>



Sensor/actuator box, connection method: QUICKON, 0.14 mm² ... 0.75 mm², number of slots: 4, number of positions: 5, slot assignment: Double, status display: Yes, pnp; master cable connection: Pluggable screw connection 180°, shielding: no, When connecting 5 conductors, max. 0.5 mm² can be connected

SACB-8/16-L-C QO - Sensor/actuator box

1156006

<https://www.phoenixcontact.com/us/products/1156006>



Sensor/actuator box, connection method: QUICKON, 0.14 mm² ... 0.75 mm², number of slots: 8, number of positions: 5, slot assignment: Double, status display: Yes, pnp; master cable connection: Pluggable screw connection 180°, shielding: no, When connecting 5 conductors, max. 0.5 mm² can be connected

SACB-QO SET - Screw connection set

1293751

<https://www.phoenixcontact.com/us/products/1293751>

SACB-4/ 8-PT QO - Sensor/actuator box

1175445

<https://www.phoenixcontact.com/us/products/1175445>



Sensor/actuator box, connection method: QUICKON, 0.14 mm² ... 0.75 mm², number of slots: 4, number of positions: 5, slot assignment: Double, status display: No, Universal; master cable connection: Push-in connection 180°, shielding: no, When connecting 5 conductors, max. 0.5 mm² can be connected

SACB-8/16-PT QO - Sensor/actuator box

1175447

<https://www.phoenixcontact.com/us/products/1175447>



Sensor/actuator box, connection method: QUICKON, 0.14 mm² ... 0.75 mm², number of slots: 8, number of positions: 5, slot assignment: Double, status display: No, Universal; master cable connection: Push-in connection 180°, shielding: no, When connecting 5 conductors, max. 0.5 mm² can be connected

SACB-QO SET - Screw connection set

1293751

<https://www.phoenixcontact.com/us/products/1293751>

SACB-4/ 8-L-PT QO - Sensor/actuator box

1175448

<https://www.phoenixcontact.com/us/products/1175448>



Sensor/actuator box, connection method: QUICKON, 0.14 mm² ... 0.75 mm², number of slots: 4, number of positions: 5, slot assignment: Double, status display: Yes, pnp; master cable connection: Push-in connection 180°, shielding: no, When connecting 5 conductors, max. 0.5 mm² can be connected

SACB-8/16-L-PT QO - Sensor/actuator box

1175449

<https://www.phoenixcontact.com/us/products/1175449>



Sensor/actuator box, connection method: QUICKON, 0.14 mm² ... 0.75 mm², number of slots: 8, number of positions: 5, slot assignment: Double, status display: Yes, pnp; master cable connection: Push-in connection 180°, shielding: no, When connecting 5 conductors, max. 0.5 mm² can be connected

Accessories

SACB-QO SET - Screw connection set

1293751

<https://www.phoenixcontact.com/us/products/1293751>



Q-PROT 9/11 - Filler plugs

1670235

<https://www.phoenixcontact.com/us/products/1670235>



Closing cap for Pg9/Pg11 to close unoccupied connections

Phoenix Contact 2023 © - all rights reserved

<https://www.phoenixcontact.com>

Phoenix Contact USA
586 Fulling Mill Road
Middletown, PA 17057, United States
(+717) 944-1300
info@phoenixcon.com