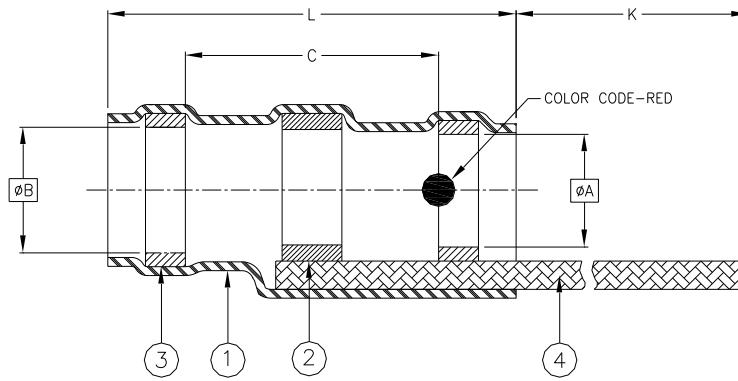


CUSTOMER DRAWING



| Product Name | Product Dimensions | | | | | Cable Dimensions | | |
|--------------|----------------------------------|-----------------|-----------------|------------------|-----------------|------------------|-----------------|---------------------------------|
| | $L \pm 1.75$ ($L \pm 0.70$) | ϕA min | ϕB min | C min | K min | ϕD max | ϕE min | $J \pm 0.5$ ($J \pm 0.02$) |
| D-108-0052 | 27.90 (1.100) | 8.75 (0.345) | 9.75 (0.385) | 13.35 (0.525) | 150.0 (5.90) | 9.75 (0.385) | 5.00 (0.200) | 10.8 (0.425) |

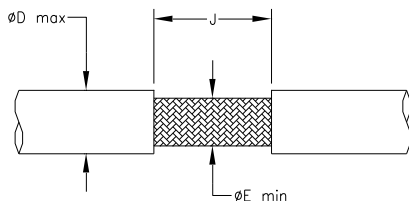
MATERIALS

1. INSULATION SLEEVE: Heat-shrinkable, transparent blue, radiation cross-linked modified polyvinylidene fluoride.
2. SOLDER PREFORM WITH FLUX:
SOLDER: TYPE Sn96 per ANSI-J-STD-006.
FLUX: TYPE ROM1 per ANSI-J-STD-004.
3. SEALING RINGS: Thermally stabilized thermoplastic. Color: transparent gray.
4. BRAID STRAP: Ni-Plated copper strands per ASTM B355, Class 4. CMA = 1800


APPLICATION

1. This part is designed to provide an environment protected shield termination on cables, rated for 135°C minimum, meeting the dimensional criteria listed and having nickel-plated copper shields.
2. Install using TE Connectivity-approved convection or infrared tools in accordance with Raychem assembly procedure RCPS-100-70.
3. Assemblies will meet requirements or Raychem specification RT-1404.
4. Temperature range: -55°C to +175°C.

For best results, prepare the cable as shown:



TE Connectivity, TE connectivity (logo), Raychem, and SolderSleeve are trademarks

| | | | | | | | |
|---|---|--|---|-------------------------------|----------------------|--|-------------------------|
|  | | | TITLE: SOLDERSLEEVE SHIELD TERMINATOR WITH PRE-INSTALLED BRAID STRAP | | | | |
| Unless otherwise specified dimensions are in millimeters. [Inches dimensions are shown in brackets] Dimensioning and Tolerancing per ASME Y14.5-2009 | | Raychem Devices | DOCUMENT NO.: D-108-0052 | | | | |
| TOLERANCES: 0.00 ± 0.02 MM 0.0 ± 0.2 MM 0 ± 0.5 MM | ANGLES: ± 0°30' ROUGHNESS IN MICRON | TE Connectivity reserves the right to amend this drawing at any time. Users should evaluate the suitability of the product for their application. | | Revision : E | | Issue Date : April 2020 | |
| PREPARED BY: YNGUYEN | CAGE CODE: 06090 | DATE: July 6, 2012 | | ECO: ECO-20-004960 | SCALE: NTS | SIZE: A | SHEET: 1 of 1 |

© 2020 Tyco Electronics Corporation. All rights reserved.

If this document is printed it becomes uncontrolled. Check for the latest revision.