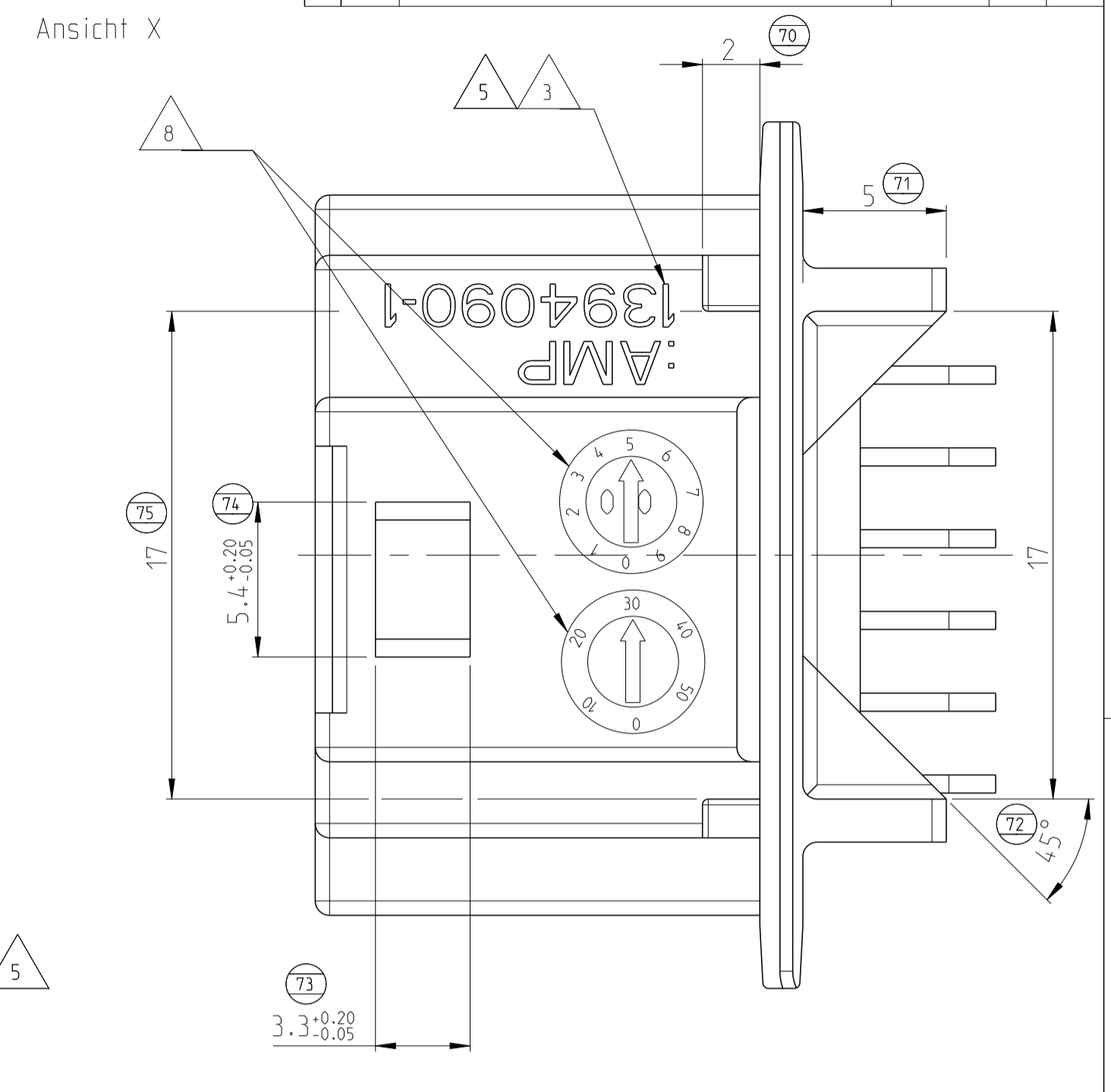
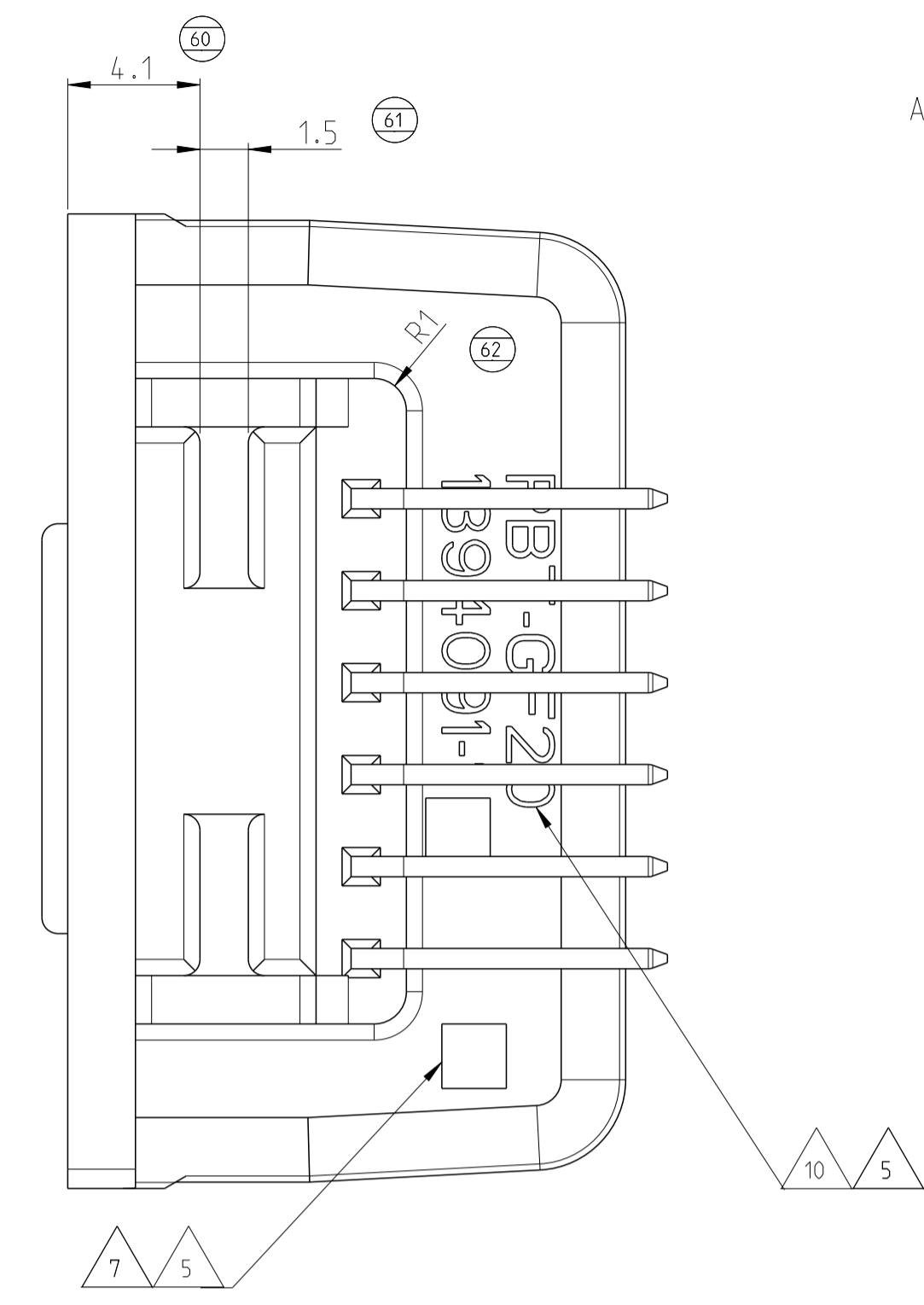
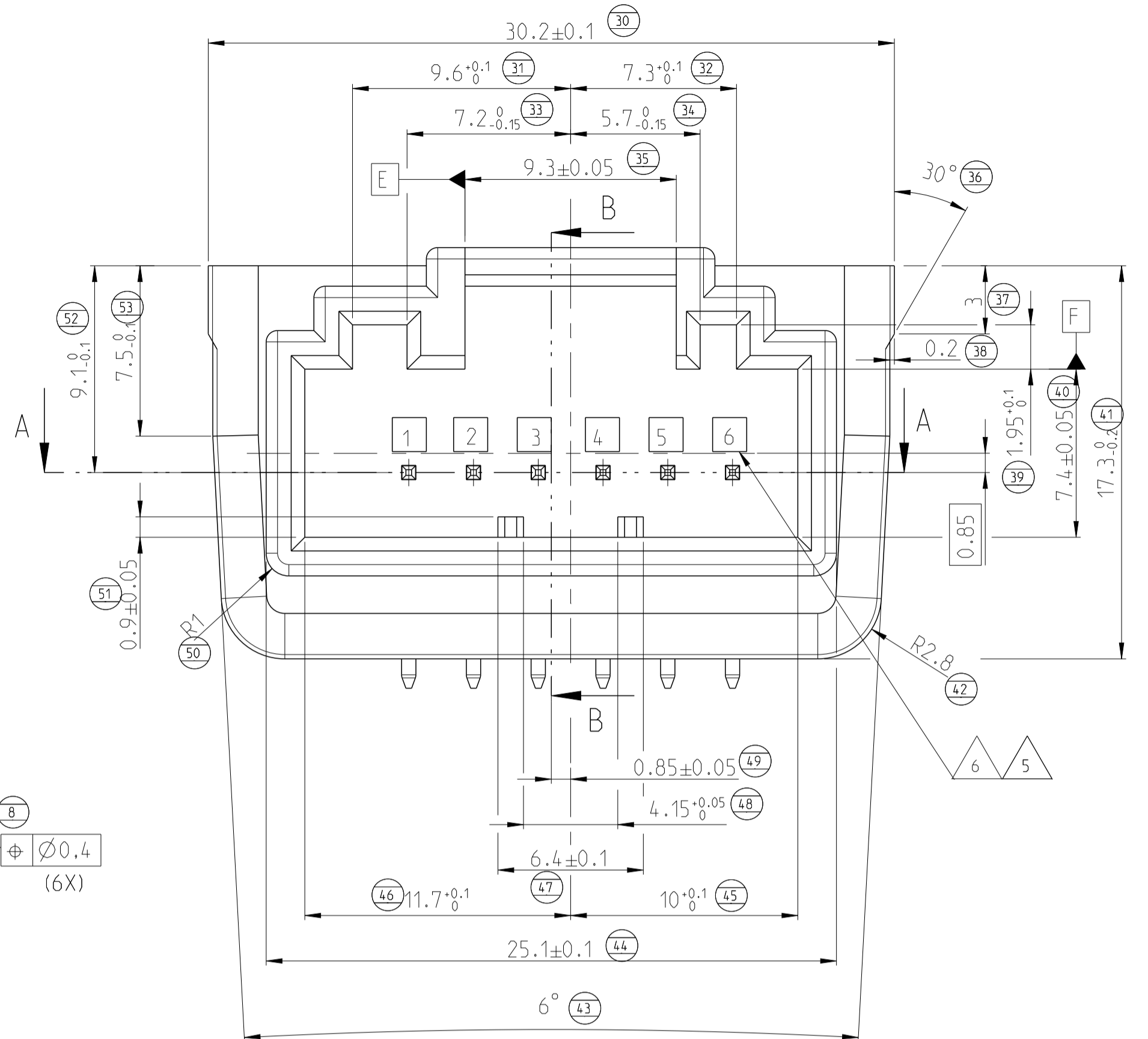
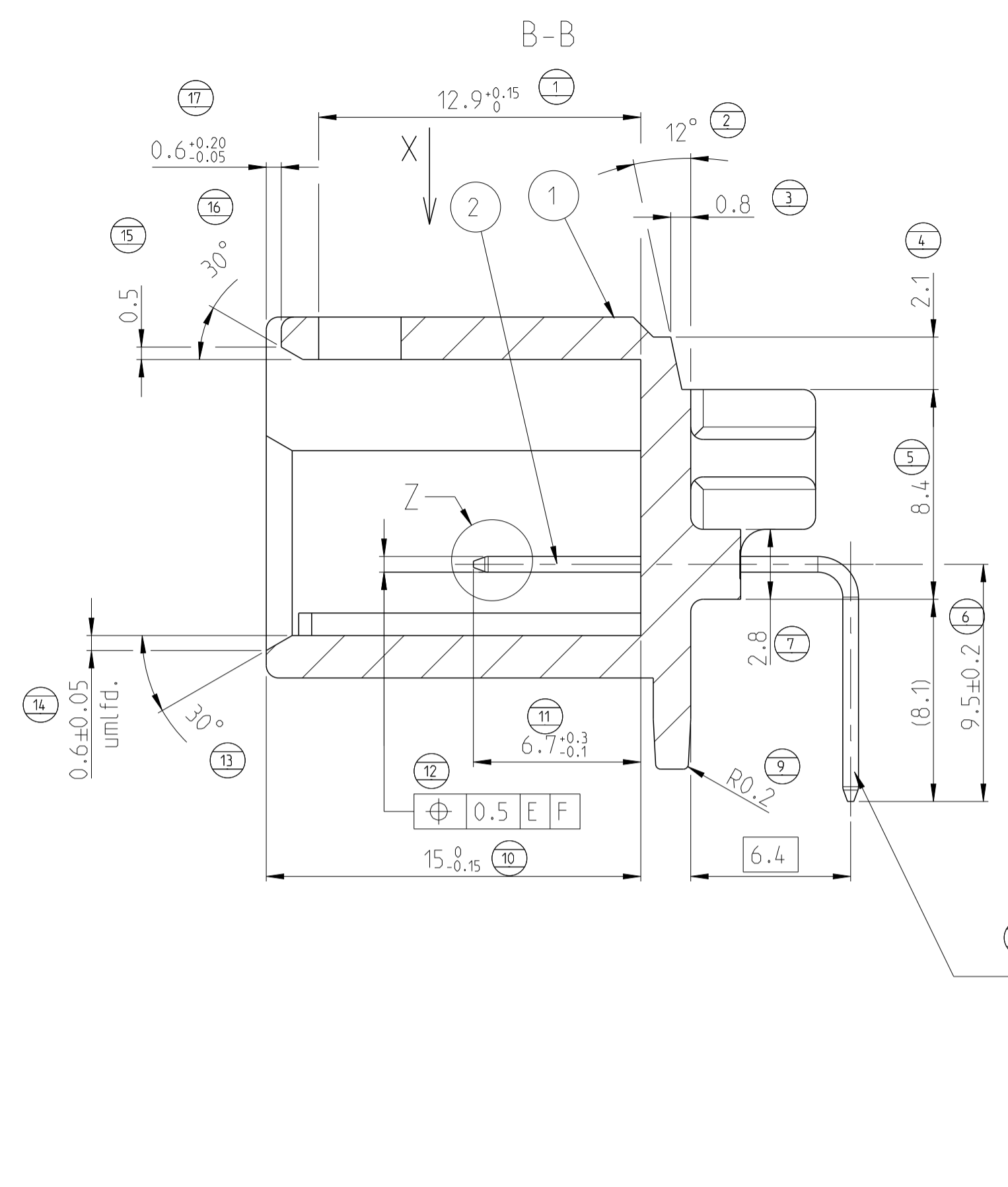
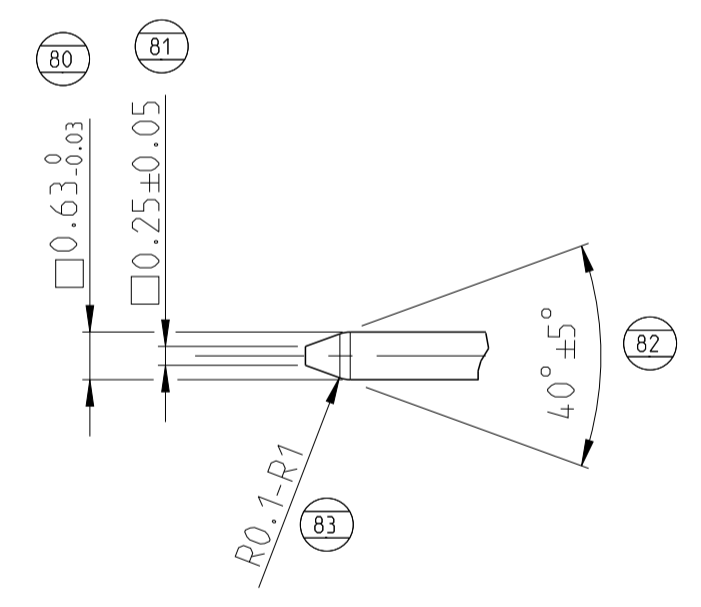


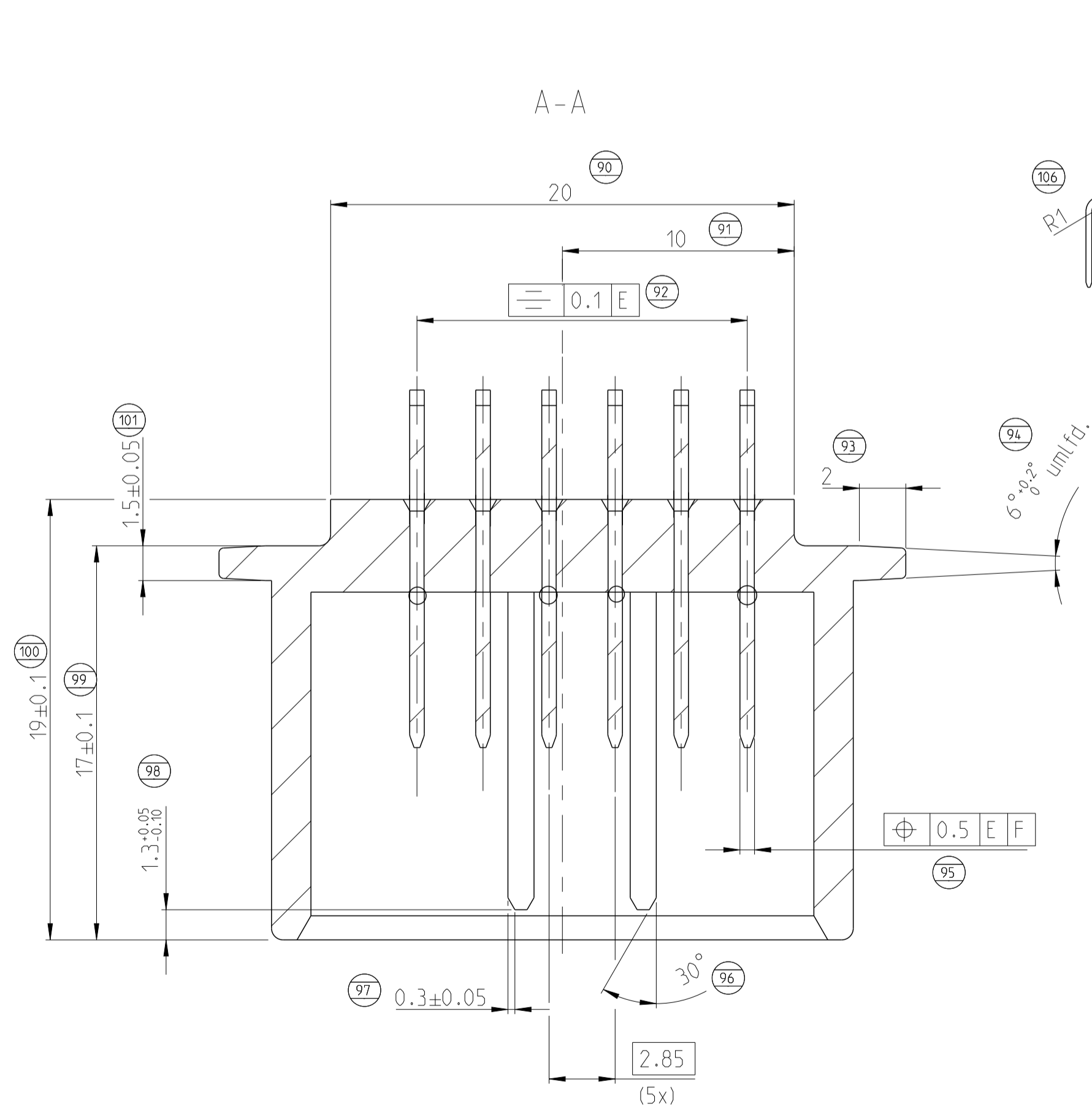
REVISIONS					
P.	LTH	DESCRIPTION	DATE	DMN	APVD
A		NEW DRAWING	06MAY2016	VGP	SR
A1		DIMENSION ID ADDED	24MAY2016	VGP	SR
A2		PCB LAYOUT ADDED	09NOV2022	MBK	SR



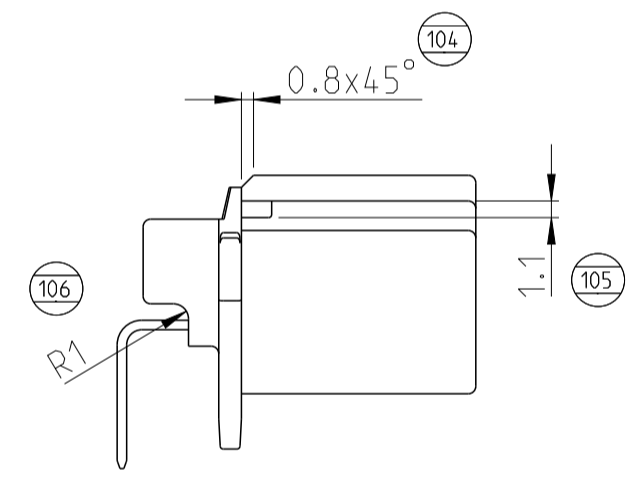
Z
10:1



A-A



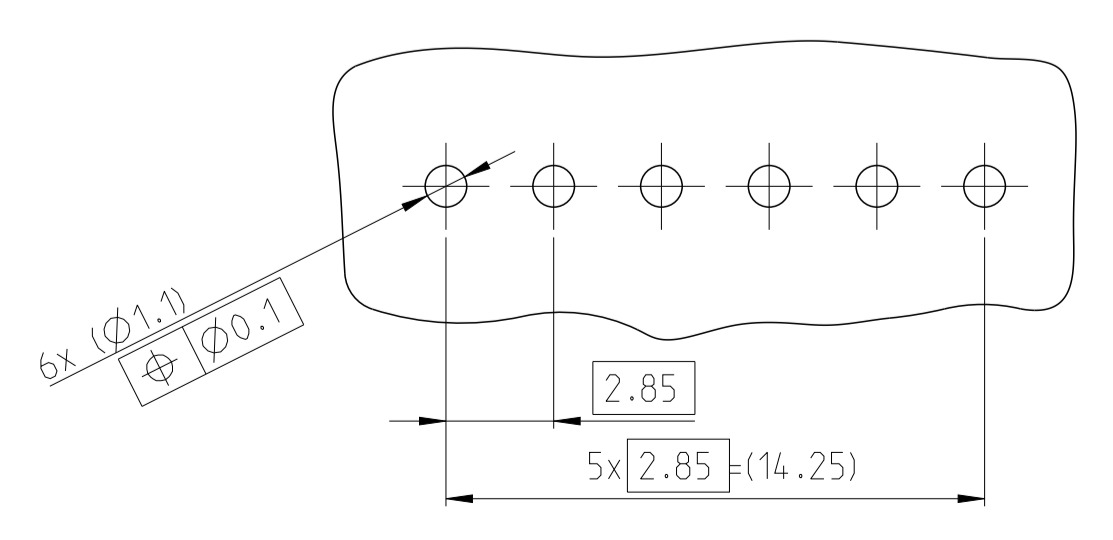
2:1



Bemerkungen
NOTES

1. Nicht bemaste Radien 0.5
RADI NOT SPECIFIED 0.5
2. unbemaste Wandstaerke 1.7 +0.1mm
WALL THICKNESS 1.7 +0.1mm UNLESS OTHERWISE SPECIFIED
3. AMP-Zeichen und Nummer
AMP-TRADE MARK AND NUMBER
4. -
5. Mittelschrift (DIN 1451) Schrifthoehe 1.5 ; 0.3 vertieft
LETTERS: MEDIUM SIZE 1.5 DIN 1451 ; DEEP 0.3
6. Kammernummern
CAVITY NUMBERS
7. Nestmarkierung
MOULD IDENTIFICATION
8. Produktionsdatumuhr
PRODUCTION DATE CLOCK
9. Kontakstifthaltekraft $F \geq 30N$
PIN RETENTION FORCE $F \geq 30N$
10. Materialkennzeichnung
MATERIAL IDENTIFICATION
11. 1 - 3 μm Sn ueber 1.3 - 2.2 μm Ni
1 - 3 μm Sn ueber 1.3 - 2.2 μm Ni
12. passend zu PN 1241130-1 (VW) oder 1355082-1 (neutral)
MATED WITH PN 1241130-1 (VW) OR 1355082-1

A2 RECOMMENDED PCB LAYOUT
Empfohlenes Leiterplattenanschluss



THIS DRAWING IS A CONTROLLED DOCUMENT.		DMN V. G. Patil 06MAY2016	TE Connectivity	
DIMENSIONS: mm		CHK S. Reichel 09MAY2016	NAME 6 POS. MQS PINHEADER 6 pol. MQS Stiftwanne	
TOLERANCES UNLESS OTHERWISE SPECIFIED: DIN 16901-130		APVD	PRODUCT SPEC	
MATERIAL		FINISH	APPLICATION SPEC	
1394090-1	11 Schwarz	Cu Mg 0.1	Kontaktstift	2
PART. NO	COLOUR/FINISH	MATERIAL	DESCRIPTION	ITEM
		PBT GF20	Gehaeuse	1
SEE TABLE		SEE TABLE		WEIGHT
CUSTOMER DRAWING		SCALE 5:1		SHEET 1 OF 1
SIZE CAGE CODE DRAWING NO		RESTRICTED TO		REV. A2
A1 00779		C=1394090		