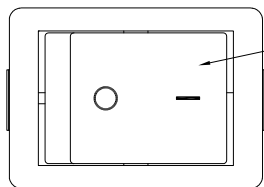
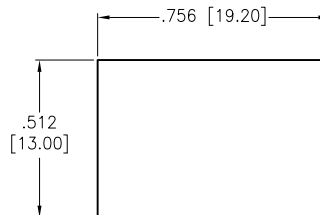


APPROVED: _____
 DATE: _____ TITLE: _____

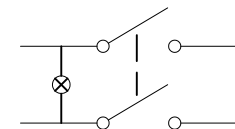
Rev	AWO #	Description	Date	Appr
-		RELEASED	11/18/21	



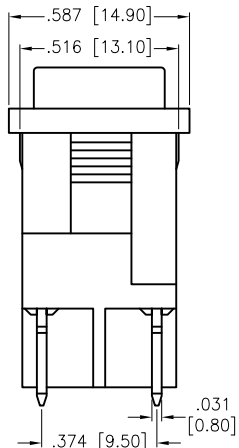
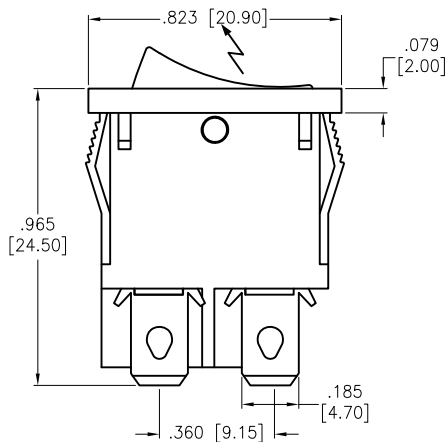
LIGHTED WITH WHITE MARKINGS



RECOMMENDED PANEL CUT-OUT



CIRCUIT DIAGRAM (DPST) ON-OFF



SW-R2-3A-F-LXXX-4

	Lighted Actuator
W	Lighted White
R	Lighted Red
G	Lighted Green
Y	Lighted Yellow (Amber)
B	Lighted Blue
O	Lighted Orange

	Actuator Markings
1	
2	
3	
4	
5	

	LED Voltage
1	3V
2	6V
3	12V
4	24V
5	48V
6	110V
7	220V

SPECIFICATIONS:

Material:
 Body: Nylon 66, Color Black, Rated UL 94V-0
 Terminal: Brass, Silver plated
 Button: Nylon 66, Lighted color (See Chart). White color markings
 Electrical:
 Rating: 10A @ 125V AC
 6A @ 250V AC
 Contact resistance: 50 mohms max (Initial)
 Insulation resistance: 100 mohms min @ 500V AC
 Dielectric withstanding voltage: 1500V AC for 1 Min.
 Electrical Life: 10,000 cycles min.
 Mechanical:
 Operating Life: 100,000 cycles min.
 Temperature Rating:
 Operating temperature: -25°C to +85°C
 Environmental:
 Lead free, RoHS compliant



Replace "x" in P/N with the corresponding switch color and marking

UNLESS OTHERWISE SPECIFIED ALL DIMENSIONS ARE INCHES [MM]. TOLERANCES: EXCEPT AS NOTED		
INCHES	HOLES	
.X ± .10	Ø.X	± .10
.XX ± .020	Ø.XX	± .015
.XXX ± .015	Ø.XXX	± .010
DRAWN	JJ	11/18/21
CHECKED	RC	11/18/21
APPROVED		
THIS DRAWING CONTAINS INFORMATION THAT IS PROPRIETARY AND SHOULD NOT BE USED WITHOUT PRIOR WRITTEN PERMISSION FROM ADAM TECH		

	909 Rahway Avenue, Union, NJ 07083 Phone: 908-687-5000 Fax: 908-687-5710	
	TITLE SWITCH, ROCKER, DPST, ON-OFF, COLOR BLACK, PANEL MOUNT, .187" [4.8] SOLDER	
SIZE X	PART NO. SW-R2-3A-F-LXXX-4	REV. -
REF: S00206C	SCALE: NTS	SHEET 1 OF 1