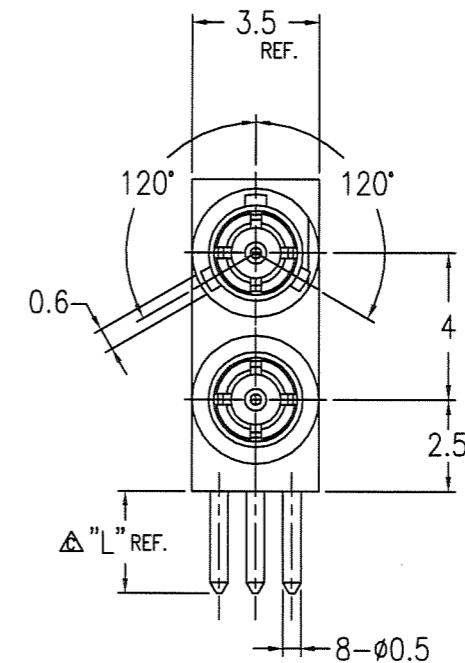
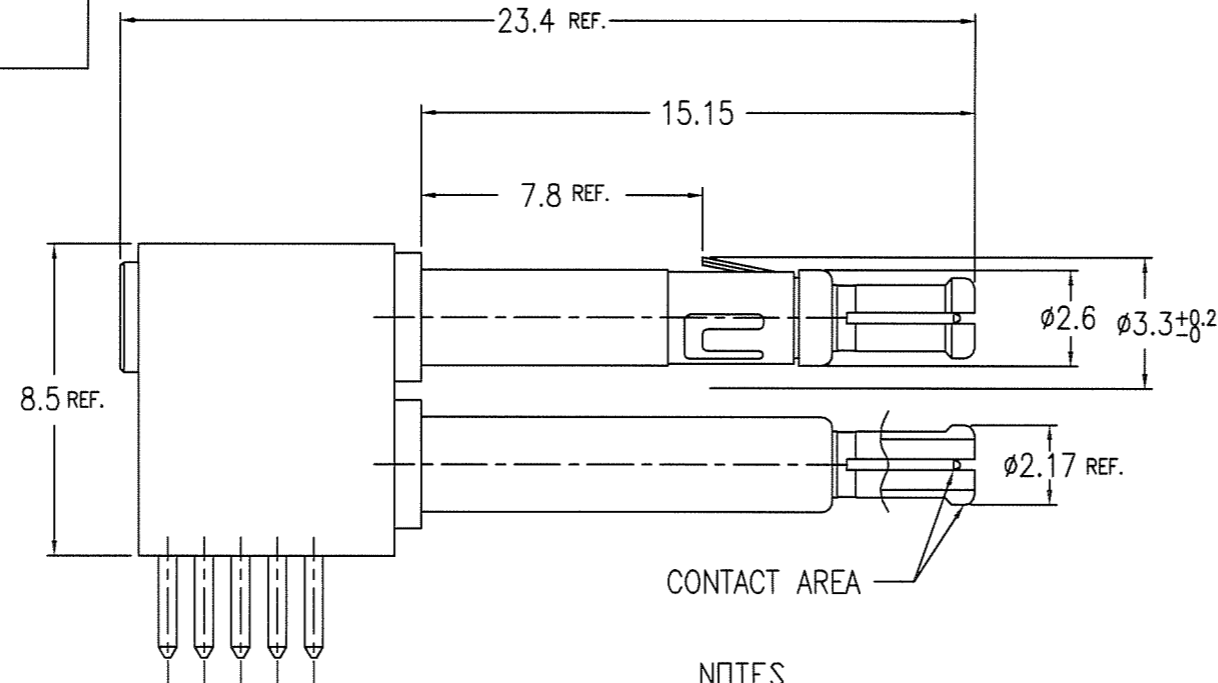
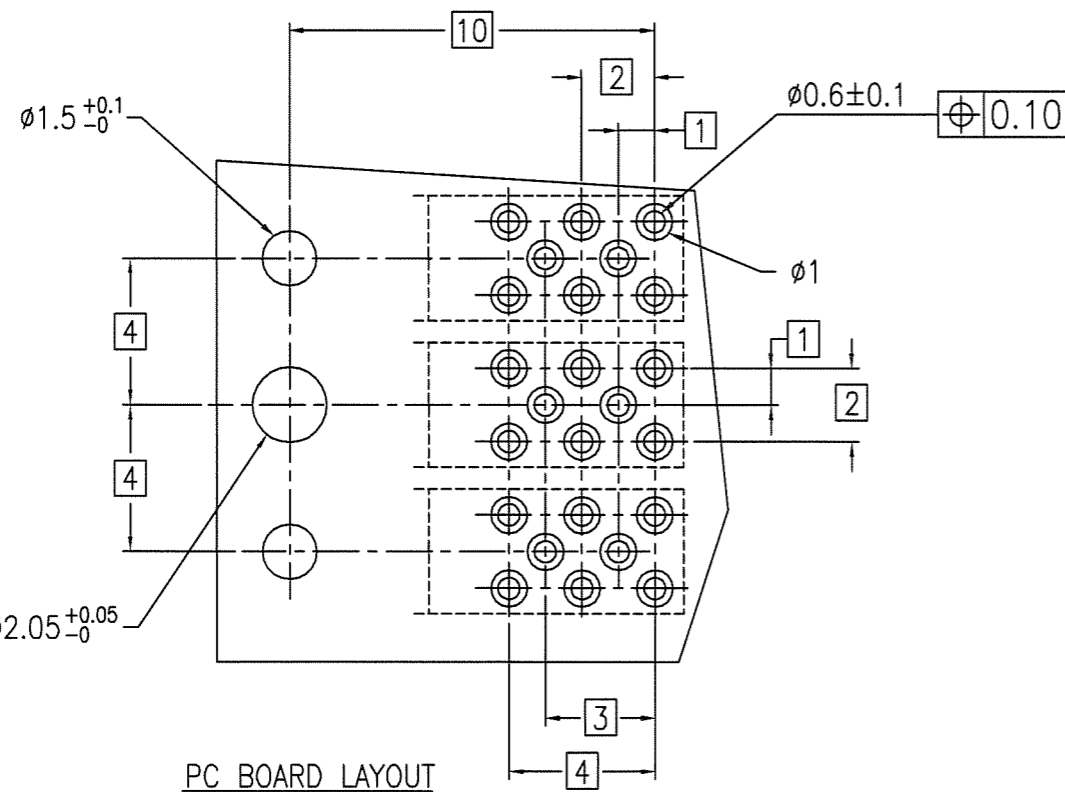


PRODUCT NO.	DIM "L"	PCB THICKNESS
73250-001	2.8	1.6mm
-001LF		
73250-002	3.8	2.4mm
-002LF		



NOTES

- MATERIAL : CONTACT BeCu
 SPRING CLIP BeCu
 INSULATOR PTFE
 OTHERS BRASS
- PLATING : CONTACT AREA Au 1.27um MIN. UNDER Ni 1.27um MIN.
 SPRING CLIP Ni 1.27um MIN.
 OTHERS Au FLASH UNDER Ni 1.27um MIN.
- FOR LEAD FREE P/N, THE PRODUCT MEET EUROPEAN UNION DIRECTIVES AND OTHER COUNTRY REGULATIONS AS DESCRIBED IN GS-22-008
- THE HOUSING WILL WITHSTAND EXPOSURE TO 260°C PEAK TEMPERATURE FOR 10 SECONDS IN A CONVECTION, INFRA-RED OR VAPOR PHASE REFLOW OVEN.



mat'l. code ---				surface ISO 1302 ✓	tolerance ISO 406 ISO 1101	projection	product family METRAL	CODE JP	
ltr description ecn no dr date				tolerances unless otherwise specified		MM	title		
A	RELEASED	J70144	MN	5/30/'97	angles linear		0.X ±0.3	METRAL MINI COAX MALE R/A ASS'Y LONG WIPE TYPE	
B	REVISED	J90036	YK	1/27/'99	0°±2'	0.XX ±0.3	scale 5:1		
C	REVISED	J00689	YK	9/5/'00		0.XXX ±0.3	dwg no sheet 1 of 1 size		
D	REVISED	J05-0674	T.S	10/21/'05	dr	M.NAGASE	5/30/'97	73250	A3
E	REVISED	J07-0030	S.D	1/18/'07	enr	S.OKUDAIRA	1/18/'07	type Customer Drawing	
sheet index				revision sheet	E	Rev. E			