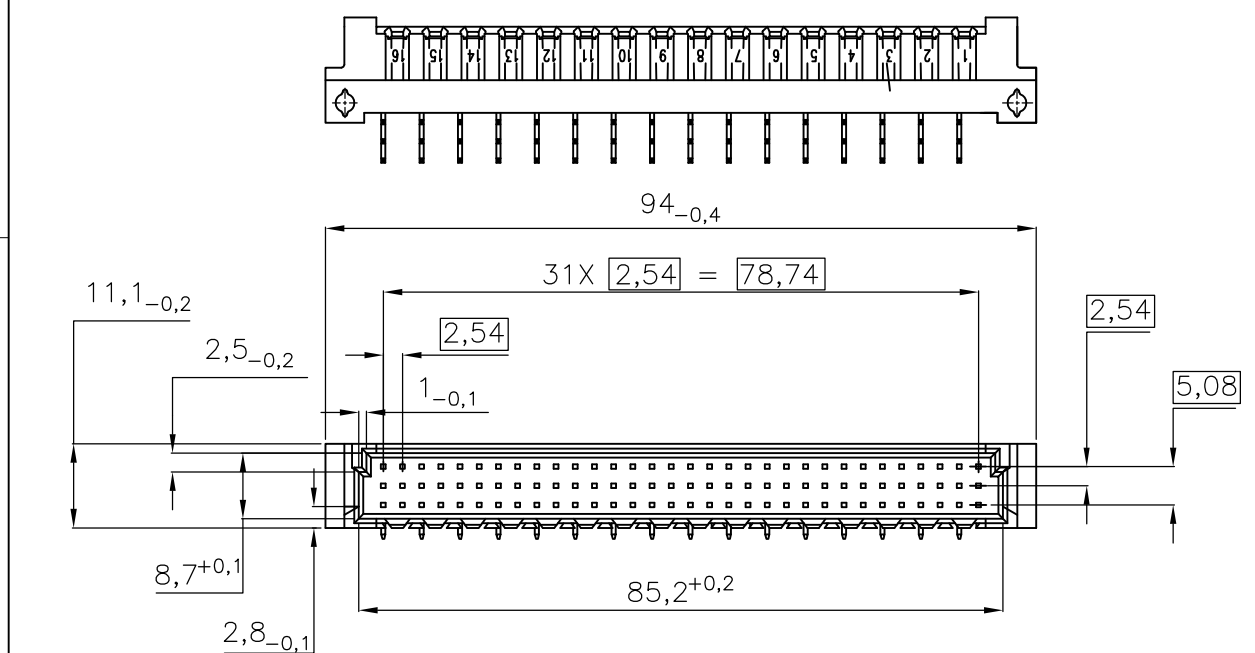
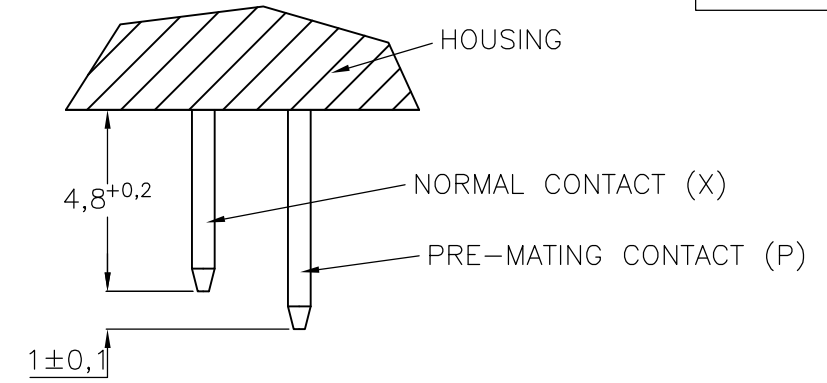


THIS DRAWING IS UNPUBLISHED. RELEASED FOR PUBLICATION
 © COPYRIGHT - By - ALL RIGHTS RESERVED.

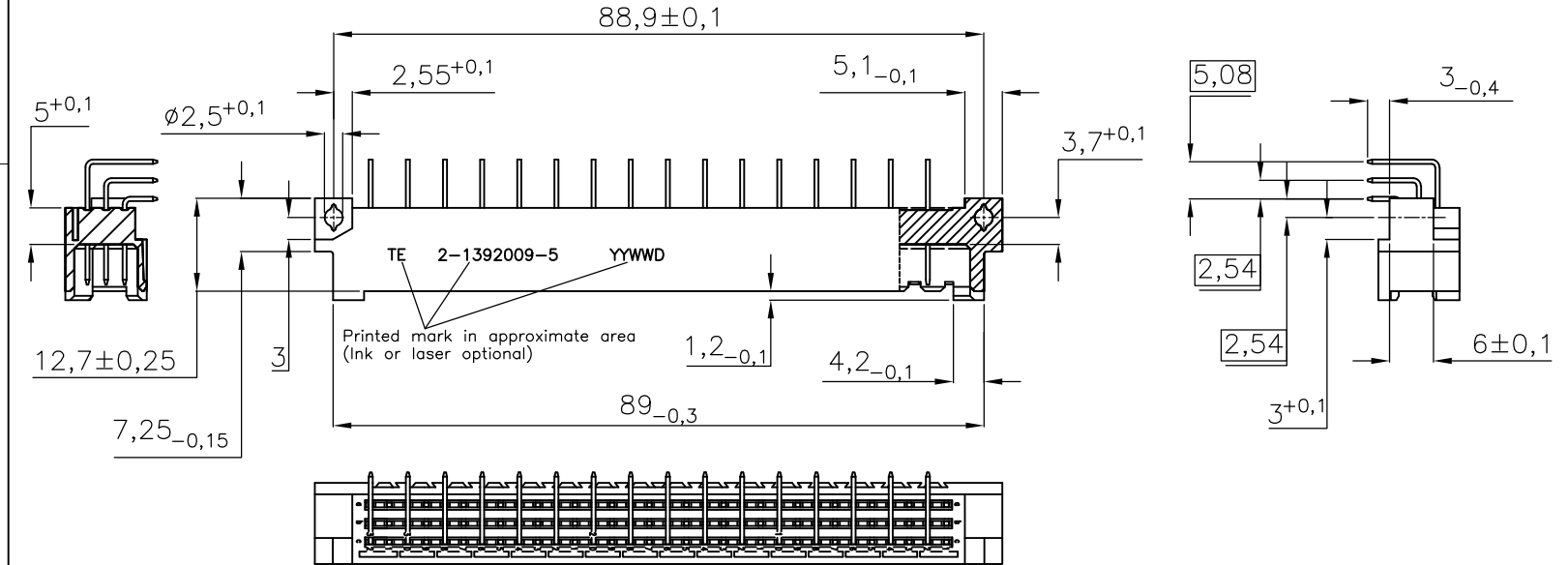
REVISIONS				
P	LTR	DESCRIPTION	DATE	DWN APVD
C		REVISED PER ECO-17-002173	09MAR2017	SY SY
			TE PN	OLD NUMBER
			2-1392009-5	V42254-B7291-C498



CONTACT LENGTHS (5:1)



ACTIVE PART NUMBERS. CONTACT
 TYCO ELECTRONICS FOR
 OTHER CONFIGURATION AVAILABILITY



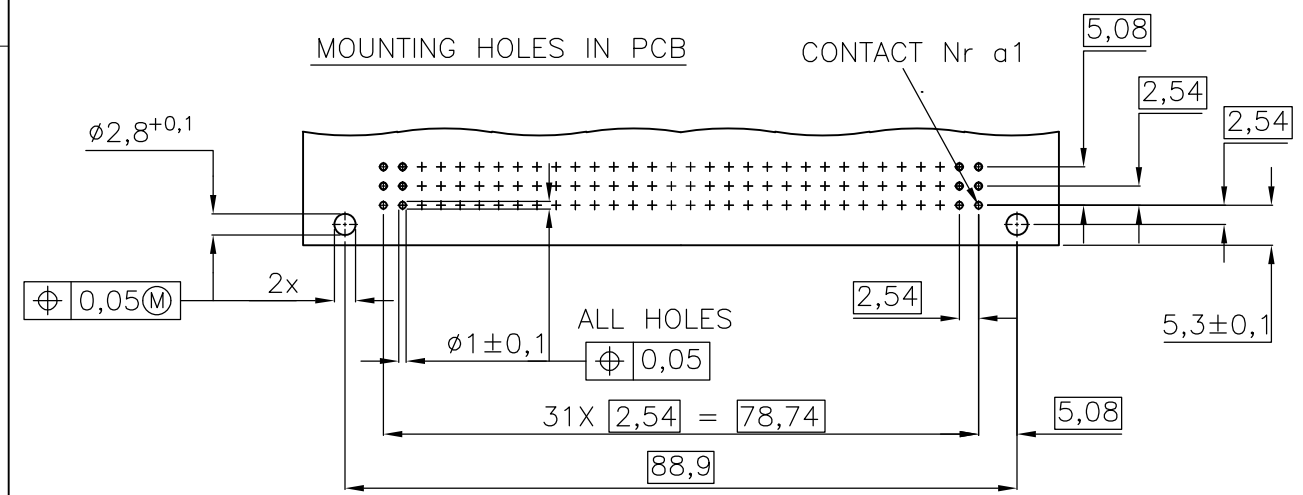
CONTACT ASSIGNMENT (48 PINS)

	1																2																3																										
ROW A:	0	P	0	X	0	X	0	X	0	X	0	X	0	X	0	X	0	X	0	X	0	X	0	X	0	X	0	X	0	X	0	X	0	X	0	X	0	X	0	X	0	X	0	X	0	X	0	X	0	X	0	X							
B:	0	X	0	X	0	X	0	X	0	X	0	X	0	X	0	X	0	X	0	X	0	X	0	X	0	X	0	X	0	X	0	X	0	X	0	X	0	X	0	X	0	X	0	X	0	X	0	X	0	X	0	X	0	X	0	X			
C:	0	X	0	X	0	X	0	X	0	X	0	X	0	X	0	X	P	0	X	0	X	0	X	0	X	0	X	0	X	0	X	0	X	0	X	0	X	0	X	0	X	0	X	0	X	0	X	0	X	0	X	0	X	0	X	0	X	0	X

O = NO CONTACT
 X = CONTACT
 P = PRE-MATING CONTACT

ALL DIMENSIONS ARE IN MM

HOUSING MATERIAL: PBT 30% GLASSFILLED (UL94V-0), GREY
 CONTACT MATERIAL: COPPER ALLOY
 PLATING : - CONTACT AREA: Pd+Au OR Au
 PERF. LEVEL 2 ACC. IEC 603-2
 - TERMINATION: Sn



THIS DRAWING IS A CONTROLLED DOCUMENT.

DIMENSIONS: mm	TOLERANCES UNLESS OTHERWISE SPECIFIED:
0 PLC ± -	1 PLC ± -
2 PLC ± -	3 PLC ± -
4 PLC ± -	ANGLES ± -
MATERIAL	FINISH

DWN	12MAR09
GNANI JADAV A E	
CHK	17MAR09
M.KOMAR	
APVD	17MAR09
M.WESTEN	
PRODUCT SPEC	
APPLICATION SPEC	
WEIGHT	0.000000

		TE Connectivity	
		EUROCARD PIN ASSEMBLY TYPE C WITH CODING AND PRECENTERING	
SIZE	CAGE CODE	DRAWING NO	RESTRICTED TO
A3	00779	C-2-1392009-5	-
CUSTOMER DRAWING		SCALE	SHEET
		NTS	1 OF 1
		REV	C