

RECOMMENDED HOLE LAYOUT FOR .070/(1.78)MAX. THICK P.C.BOARD

(SCALE: 2X)

CIRCUIT SIZE	DIM. "A"	DIM. "B"	DIM. "C"	DIM. "D"	DIM. "E"
4	.17 (4.2)	.38 (9.6)	.535 (13.60)	.590 (15.00)	.685 (17.40)
6	.33 (8.4)	.54 (13.8)	.701 (17.80)	.756 (19.20)	.850 (21.60)
10	.66 (16.8)	.87 (22.2)	1.031 (26.20)	1.087 (27.60)	1.181 (30.00)
12	.83 (21.0)	1.04 (26.4)	1.187 (30.40)	1.252 (31.80)	1.346 (34.20)
14	.99 (25.2)	1.20 (30.6)	1.362 (34.60)	1.417 (36.00)	1.512 (38.40)
16	1.16 (29.4)	1.37 (34.8)	1.528 (38.80)	1.583 (40.20)	1.677 (42.60)
18	1.32 (33.6)	1.54 (39.0)	1.693 (43.00)	1.748 (44.40)	1.843 (46.80)
24	1.82 (46.2)	2.03 (51.6)	2.189 (55.60)	2.244 (57.00)	2.339 (59.40)

LEGEND

46011 - * * 0 *

BASE NUMBER

CIRCUIT SIZE

HOUSING MATERIAL & PLATING

- 0 = V-2 / TIN
- 1 = V-2 / GOLD
- 2 = V-0 / TIN
- 3 = V-0 / GOLD

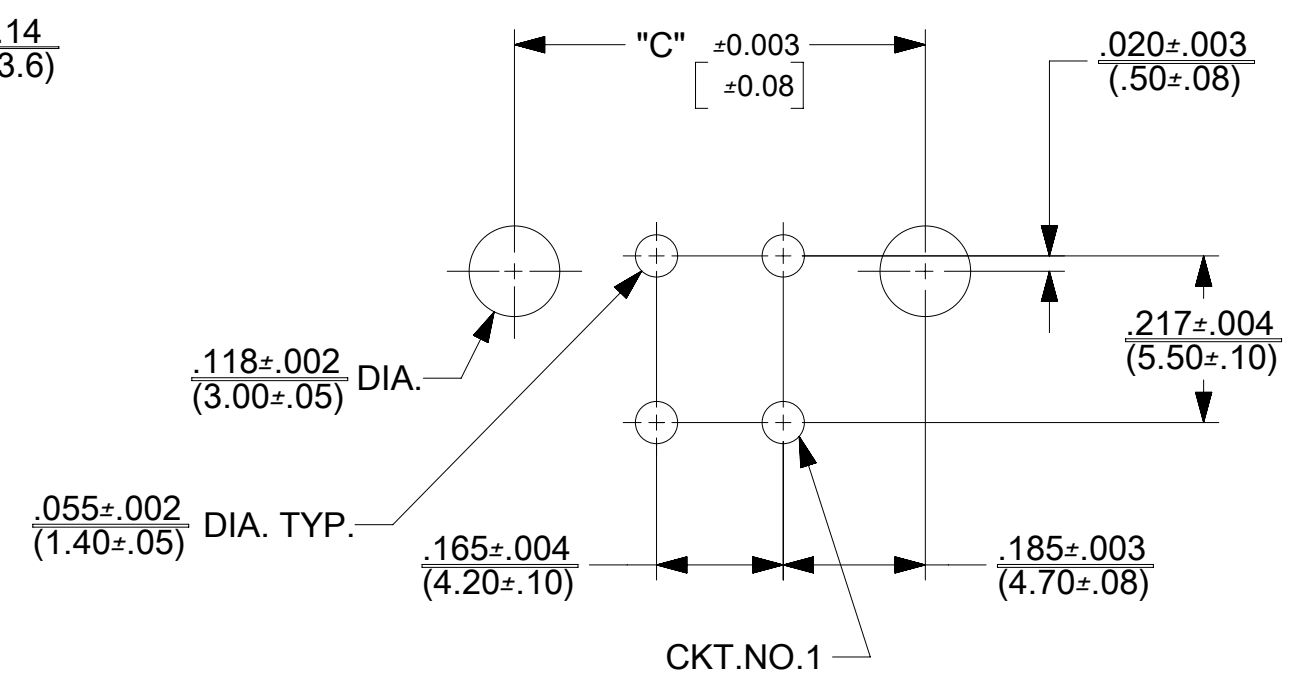
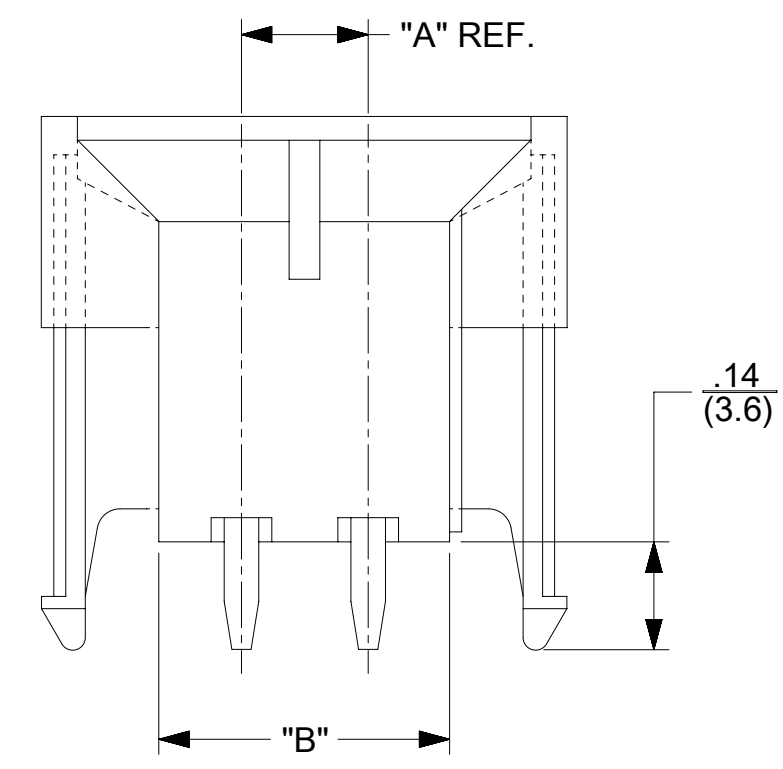
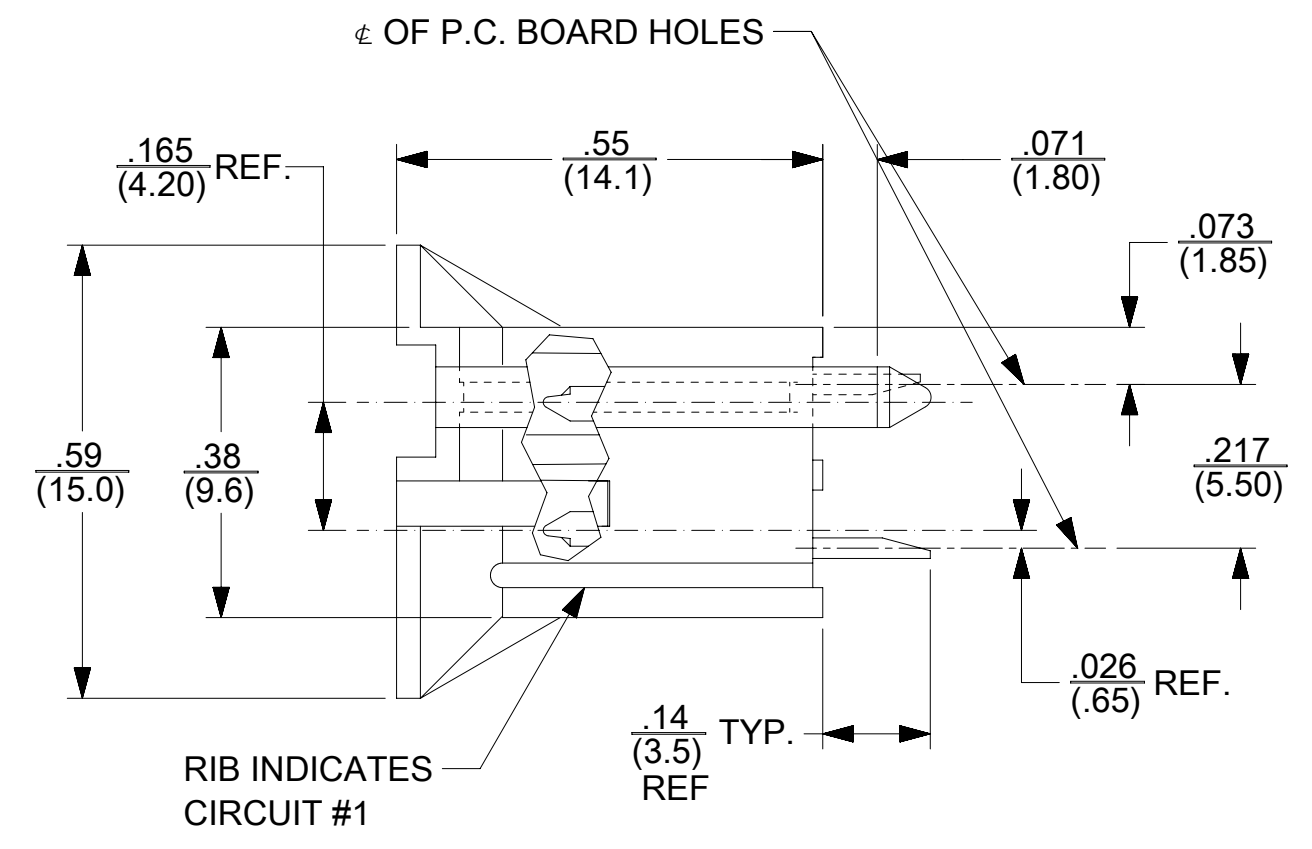
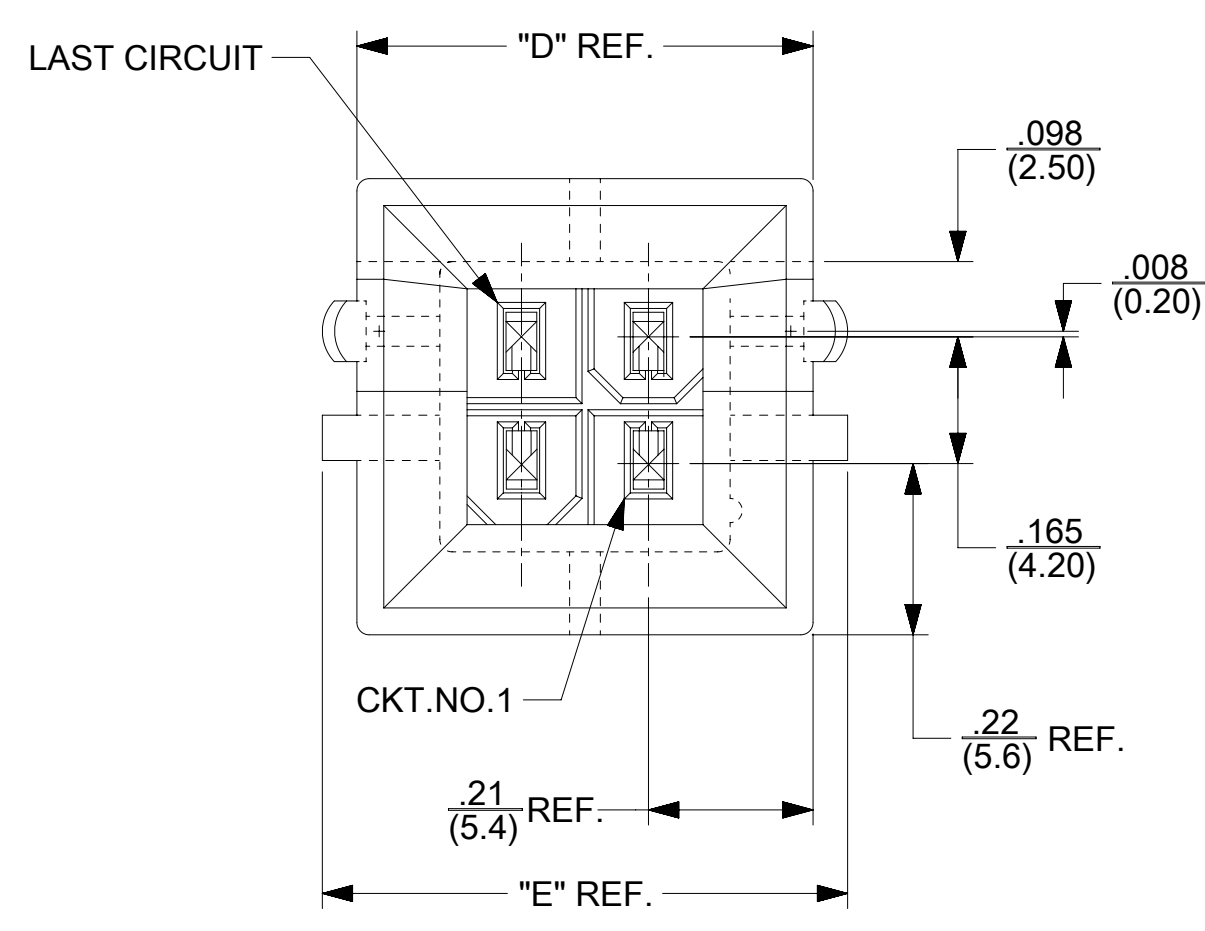
NOTES:

- 1) HOUSING MATERIAL & PLATING:
 0 = NYLON 6/6, UNFILLED UL 94V-2, COLOR: NATURAL, MATTE TIN PLATING
 1 = NYLON 6/6, UNFILLED UL 94V-2, COLOR: NATURAL, SELECT GOLD PLATING
 2 = NYLON 6/6, UNFILLED UL 94V-0, COLOR: NATURAL, MATTE TIN PLATING
 3 = NYLON 6/6, UNFILLED UL 94V-0, COLOR: NATURAL, SELECT GOLD PLATING
 TERMINAL MATERIAL : COPPER ALLOY
- 2) TERMINAL PLATING:
 ("TIN") .000100/(.00254) MIN. MATTE TIN OVER
 .000050/(.00127) MIN. NICKEL OVERALL.
 ("GOLD") .000030/(.00076) MIN. SELECT GOLD & .000100/(.00254) MIN. MATTE TIN OVER .000050/(.00127) MIN. NICKEL OVERALL.
- 3) PRODUCT SPECIFICATION: PS-45750-001
- 4) PACKAGING SPECIFICATION: PK-42440-001.
- 5) 6-24 CKT. PARTS MATE WITH MINI-FIT JR. RECEPTACLE 5557, VERTICAL RECEPTACLE HEADER 46010 & BMI RECEPTACLES 42474, AND 44516. 4 CKT PART MATES WITH 42474,44516 AND 46010 ONLY.
- 6) RIB LOCATION IS DETERMINED BY MOLD DESIGN FOR MANUFACTURING EASE AND THE LOCATION DOES NOT AFFECT PART FUNCTION OR PERFORMANCE. LOCATION OF RIBS MAY VARY ON PARTS WITHIN MANUFACTURING LOT OR SHIPMENT. THIS DRAWING SHOWS TYPICAL RIB LOCATIONS.
- 7) CONNECTOR ASSEMBLIES ARE NOT TO BE MATED OR UNMATED WHILE CIRCUITS ARE LIVE.
- 8) PART ALLOWS FOR UP .100/(2.54) MISALIGNMENT WITH MATING RECEPTACLE IN ANY DIRECTION. SEE MATING CONNECTOR DRAWINGS FOR SPECIFIC ALLOWANCES.
- 9) THIS PART CONFORMS TO CLASS B REQUIREMENTS OF COSMETIC SPECIFICATION PS-45499-002.
- 10) CONNECTOR IS NOT DESIGNED FOR CURRENT SHARING.
- 11) 12 CIRCUIT PARTS HAVE A SLOT BETWEEN CIRCUITS 7 AND 8.

QUALITY SYMBOLS	THIS DRAWING CONTAINS INFORMATION THAT IS PROPRIETARY TO MOLEX INCORPORATED AND SHOULD NOT BE USED WITHOUT WRITTEN PERMISSION		GENERAL TOLERANCES (UNLESS SPECIFIED)		DIMENSION UNITS	SCALE	molex			
▽ = 0	ADD 46011-5001	2015/09/08 2015/10/07 2015/10/07	IN/MM		4:1	MINI-FIT VERTICAL BMI HEADER ASSEMBLY (HCS PLUS SERIES)				
▽ = 0			ANGULAR TOL ± 1/2 °		DRWN BY				DATE	
▽ = 0			4 PLACES ± ---		TGREGORI	2006/05/19	PRODUCT CUSTOMER DRAWING			
▽ = 0			3 PLACES ± ---		CHKD BY	DATE				
▽ = 0			2 PLACES ± 0.25		JCOMERCI		SERIES MATERIAL NUMBER CUSTOMER			
▽ = 0			1 PLACE ± 0.38		APPR BY	DATE				
▽ = 0			0 PLACES ±		JCOMERCI		46011	SEE SHEET 2	GENERAL MARKET	
□ = 0			DRAFT WHERE APPLICABLE MUST REMAIN WITHIN DIMENSIONS		DRAWING SIZE	THIRD ANGLE PROJECTION	DOCUMENT NUMBER	DOC TYPE	DOC PART	SHEET NUMBER
▽ = 0			B2	REV	C		SD-46011-001	PSD	000	1 OF 2

PART NUMBER	CIRCUIT SIZE	U.L. RATING	PLATING
46011-0400	4	V-2	TIN
46011-0401	4	V-2	GOLD
46011-0402	4	V-0	TIN
46011-0403	4	V-0	GOLD
46011-0600	6	V-2	TIN
46011-0601	6	V-2	GOLD
46011-0602	6	V-0	TIN
46011-0603	6	V-0	GOLD
46011-1000	10	V-2	TIN
46011-1001	10	V-2	GOLD
46011-1002	10	V-0	TIN
46011-1003	10	V-0	GOLD
46011-1200	12	V-2	TIN
46011-1201	12	V-2	GOLD
46011-1202	12	V-0	TIN
46011-1203	12	V-0	GOLD
46011-1400	14	V-2	TIN
46011-1401	14	V-2	GOLD
46011-1402	14	V-0	TIN
46011-1403	14	V-0	GOLD
46011-1600	16	V-2	TIN
46011-1601	16	V-2	GOLD
46011-1602	16	V-0	TIN
46011-1603	16	V-0	GOLD
46011-1800	18	V-2	TIN
46011-1801	18	V-2	GOLD
46011-1802	18	V-0	TIN
46011-1803	18	V-0	GOLD
46011-2400	24	V-2	TIN
46011-2401	24	V-2	GOLD
46011-2402	24	V-0	TIN
46011-2403	24	V-0	GOLD

PART NUMBERS WITH VOIDED CIRCUITS				
PART NUMBER	CIRCUIT SIZE	U.L. RATING	PLATING	VOIDED CIRCUITS
46011-5001	14	V-0	GOLD	4,11



RECOMMENDED HOLE LAYOUT FOR .070/(1.78) MAX. THICK P.C. BOARD

QUALITY SYMBOLS	THIS DRAWING CONTAINS INFORMATION THAT IS PROPRIETARY TO MOLEX INCORPORATED AND SHOULD NOT BE USED WITHOUT WRITTEN PERMISSION			
	▽ = 0 ▽ = 0 ▽ = 0 ▼ = 0 ▽ = 0 □ = 0 ■ = 0 ▽ = 0	SEE SHEET 1 EC NO: 101245 DRWN: NKN02 CHKD: FSMITH REV APPR: FSMITH	2015/09/08 2015/10/07 2015/10/07	GENERAL TOLERANCES (UNLESS SPECIFIED) ANGULAR TOL ± 1/2 ° 4 PLACES ± --- 3 PLACES ± --- 2 PLACES ± 0.25 1 PLACE ± 0.38 0 PLACES ±
	DIMENSION UNITS: IN/MM SCALE: 4:1 DRWN BY: TGREGORI DATE: 2006/05/19 CHKD BY: JCOMERCI DATE: APPR BY: JCOMERCI DATE:			
	DRAFT WHERE APPLICABLE MUST REMAIN WITHIN DIMENSIONS C	DIMENSION UNITS: IN/MM SCALE: 4:1 DRWN BY: TGREGORI DATE: 2006/05/19 CHKD BY: JCOMERCI DATE: APPR BY: JCOMERCI DATE:	PRODUCT CUSTOMER DRAWING SERIES: 46011 MATERIAL NUMBER: SEE CHART CUSTOMER: GENERAL MARKET	
	RELEASE STATUS: P1 RELEASE DATE: 2015/10/07 18:00:37	DOCUMENT NUMBER: SD-46011-001 DOC TYPE: PSD DOC PART: 000 SHEET NUMBER: 2 OF 2		