

# TC-MACX-MCR-PTB - Power and error message module



2904673

<https://www.phoenixcontact.com/us/products/2904673>

Please be informed that the data shown in this PDF document is generated from our online catalog. Please find the complete data in the user documentation. Our general terms of use for downloads are valid.



Power and fault signaling module with screw connection, only for use on the Termination Carrier, excluding corresponding DIN rail bus connector

## Your advantages

- Simple or redundant supply, decoupled from diode, protected against polarity reversal
- Installation in zone 2, protection type "n" (EN 60079-15) permitted
- Error message in the event of energy supply failure or fuse fault, can be selected and deselected via DIP switch
- Bus cable error message for MACX MCR-...(2)NAM... devices connected via DIN rail connectors, can be selected and deselected via DIP switch
- Relay output (changeover contact) and blinking LED for error messages
- Supply current up to 2 A (max. 2x 2,5 AT backup fuse required)
- May only be used on the Termination Carrier
- Undervoltage detection at the input, can be selected and deselected via DIP switch (set to 19.2 V supply voltage)

## Commercial data

Item number	2904673
Packing unit	1 pc
Minimum order quantity	1 pc
Sales key	C420
Product key	CK27ZZ
Catalog page	Page 176 (C-5-2019)
GTIN	4046356892407
Weight per piece (including packing)	162.1 g
Weight per piece (excluding packing)	157.9 g
Customs tariff number	90303370
Country of origin	DE

# TC-MACX-MCR-PTB - Power and error message module



2904673

<https://www.phoenixcontact.com/us/products/2904673>

## Technical data

### Notes

General	For proper use, the specifications of the installation directive (see Downloads) must be observed.
Utilization restriction	
EMC note	EMC: class A product, see manufacturer's declaration in the download area

### Product properties

Product type	Power module
Insulation characteristics	
Overvoltage category	II
Pollution degree	2

### Input data

Signal	
Voltage input signal	19.2 V DC ... 30 V DC
Polarization and surge protection	Yes

### Output data

Switching: Relay	
Contact switching type	1 changeover contact
Contact material	AgSnO, hard gold-plated
Maximum switching voltage	30 V AC/DC (2 A)
Signal	
Max. current output signal	2 A (Redundancy range)
Output voltage	Input voltage - 0.7 V

### Connection data

Connection method	Screw connection
Stripping length	7 mm
Screw thread	M3
Conductor cross section rigid	0.2 mm <sup>2</sup> ... 2.5 mm <sup>2</sup>
Conductor cross section flexible	0.2 mm <sup>2</sup> ... 2.5 mm <sup>2</sup>
Conductor cross section AWG	24 ... 14
Tightening torque	0.5 Nm ... 0.6 Nm

### Signaling

Status display	1 x red LED (error) 2 x green LEDs (PWR1 and PWR2)
----------------	---

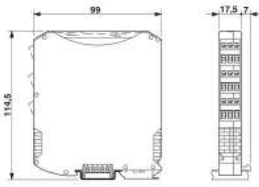
# TC-MACX-MCR-PTB - Power and error message module



2904673

<https://www.phoenixcontact.com/us/products/2904673>

## Dimensions

Dimensional drawing	
Width	17.5 mm
Height	103.6 mm
Depth	113.7 mm
Depth NS 35/7,5	114.5 mm (Snapped onto DIN rail NS 35/7,5 in accordance with EN 60715)

## Material specifications

Flammability rating according to UL 94	V0 (Housing)
Housing material	Polyamide (PA 6.6)

## Environmental and real-life conditions

### Ambient conditions

Degree of protection	IP20
Ambient temperature (operation)	-20 °C ... 60 °C (only on Termination Carrier)
Ambient temperature (storage/transport)	-40 °C ... 80 °C
Altitude	≤ 2000 m
Permissible humidity (operation)	5 % ... 95 % (non-condensing)

## Approvals

### CE

Certificate	CE-compliant
-------------	--------------

### ATEX

Identification	⊕ II 3 G Ex ec nC IIC T4 Gc X
----------------	-------------------------------

### UKCA Ex (UKEX)

Identification	⊕ II 3G Ex ec nC IIC T4 Gc
Certificate	PxCIF21UKEX2904673X

### UL, USA/Canada

Identification	UL 61010 Listed
	Class I, Div. 2, Groups A, B, C, D T5
	Class I, Zone 2, Group IIC

## EMC data

Noise immunity	EN 61000-6-2
Note	When being exposed to interference, there may be minimal

# TC-MACX-MCR-PTB - Power and error message module



2904673

<https://www.phoenixcontact.com/us/products/2904673>

	deviations.
Electromagnetic compatibility	Conformance with EMC directive
Noise emission	EN 61000-6-4

## Conducted interference

Designation	Conducted interferences
Standards/regulations	EN 61000-4-6
Evaluation criterion	A

## Mounting

Mounting type	DIN rail mounting
---------------	-------------------

# TC-MACX-MCR-PTB - Power and error message module

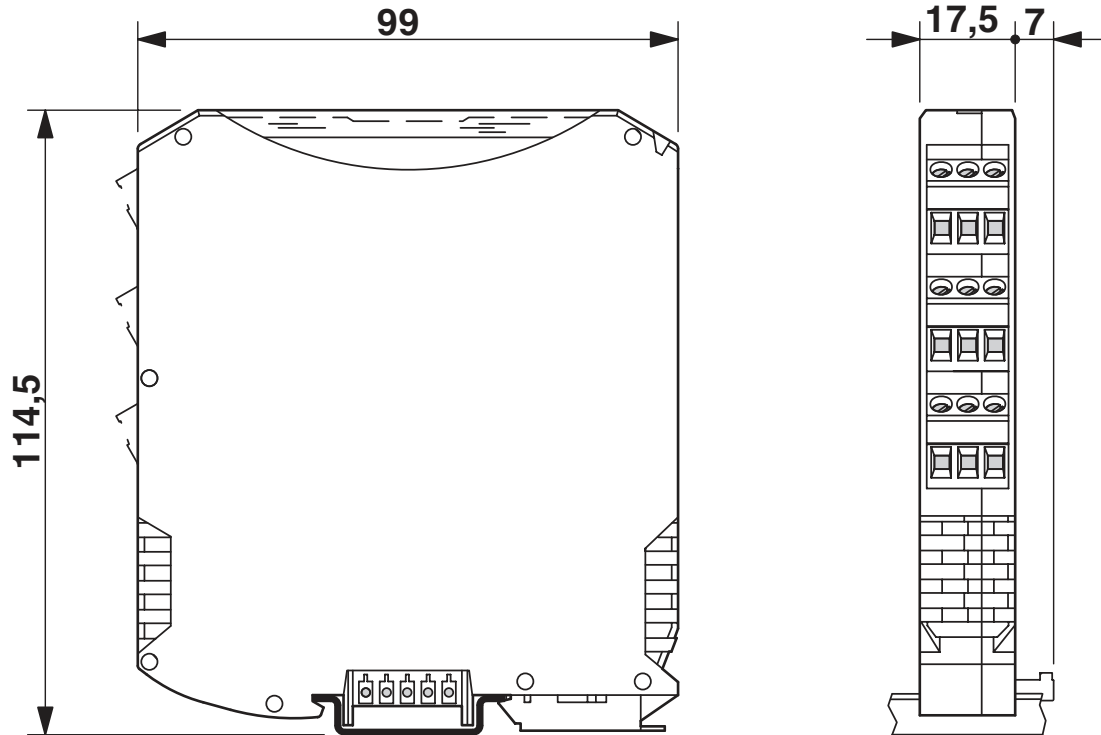


2904673

<https://www.phoenixcontact.com/us/products/2904673>

## Drawings

Dimensional drawing



# TC-MACX-MCR-PTB - Power and error message module



2904673

<https://www.phoenixcontact.com/us/products/2904673>

## Approvals

To download certificates, visit the product detail page: <https://www.phoenixcontact.com/us/products/2904673>



### EAC

Approval ID: RU\*DE.\*08.B.01536/19



### UL Listed

Approval ID: FILE E 330267

	Nominal voltage $U_N$	Nominal current $I_N$	Cross section AWG	Cross section $mm^2$
	33 V	2 A	-	-



### cUL Listed

Approval ID: FILE E 330267

	Nominal voltage $U_N$	Nominal current $I_N$	Cross section AWG	Cross section $mm^2$
	33 V	2 A	-	-



### ATEX

Approval ID: PxCIF14ATEX2904673X

### cULus Listed

# TC-MACX-MCR-PTB - Power and error message module



2904673

<https://www.phoenixcontact.com/us/products/2904673>

## Classifications

### ECLASS

ECLASS-11.0	27371392
ECLASS-13.0	27371392
ECLASS-12.0	27371392

### ETIM

ETIM 8.0	EC002498
----------	----------

### UNSPSC

UNSPSC 21.0	39121100
-------------	----------

# TC-MACX-MCR-PTB - Power and error message module



2904673

<https://www.phoenixcontact.com/us/products/2904673>

## Environmental product compliance

REACH SVHC	Lead 7439-92-1
China RoHS	Environmentally Friendly Use Period = 50 years
	For information on hazardous substances, refer to the manufacturer's declaration available under "Downloads"



# TC-MACX-MCR-PTB - Power and error message module



2904673

<https://www.phoenixcontact.com/us/products/2904673>

## Accessories

### TC-D37SUB-ADIO16-EX-P-UNI - Module carrier

2924854

<https://www.phoenixcontact.com/us/products/2924854>



Universal termination carrier for connecting 16 MACX Analog Ex i signal conditioners to digital or analog I/O cards, via D-SUB connector, 37-pos. (1:1 connection)

### TC-2D37SUB-ADIO32-2EX-P-UNI - Module carrier

2904684

<https://www.phoenixcontact.com/us/products/2904684>



Universal Termination Carrier for connecting 16 two-channel MACX Analog Ex i signal conditioners to digital or analog I/O cards, via two D-SUB connectors, 37-pos. (1:1 connection)

# TC-MACX-MCR-PTB - Power and error message module



2904673

<https://www.phoenixcontact.com/us/products/2904673>

## TC-D37SUB-AIO16-EX-PS-UNI - Module carrier

2902932

<https://www.phoenixcontact.com/us/products/2902932>



Universal termination carrier for connecting 16 MACX Analog Ex i signal conditioners to digital or analog I/O cards, via D-SUB connector, 37-pos. (1:1 connection), with HART multiplexer connection

---

Phoenix Contact 2023 © - all rights reserved

<https://www.phoenixcontact.com>

Phoenix Contact USA  
586 Fulling Mill Road  
Middletown, PA 17057, United States  
(+717) 944-1300  
[info@phoenixcon.com](mailto:info@phoenixcon.com)