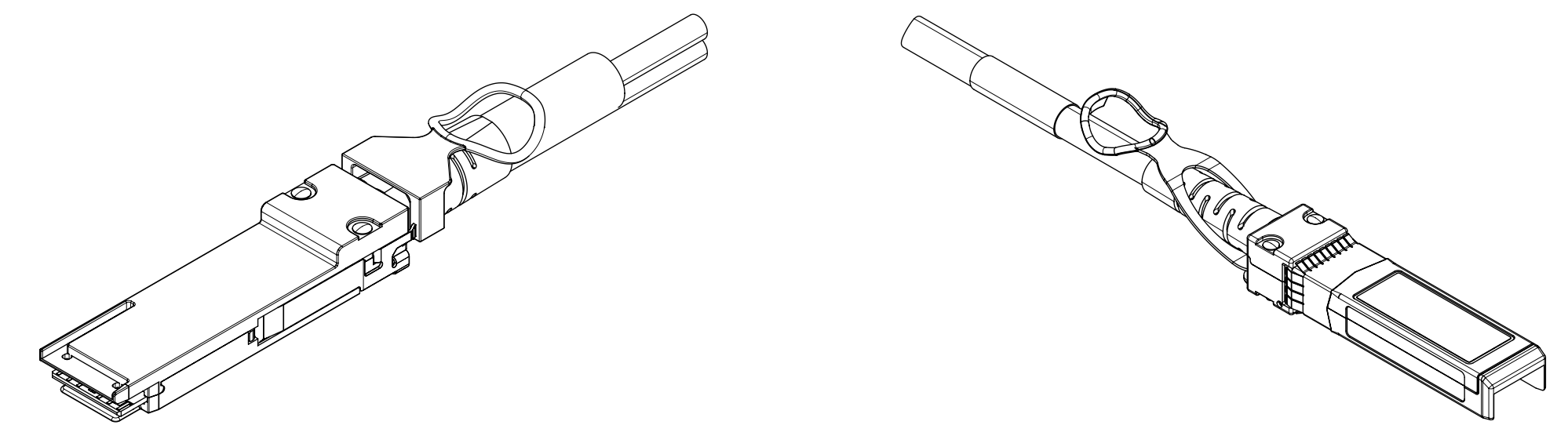


**NOTES:**

1. MATERIALS:  
 RAW CABLE- 2 TWIN-AX PAIRS, PVC JACKET  
 BACKSHELLS - ZINC DIECAST WITH BRIGHT NICKEL PLATING  
 RIVETS - STAINLESS STEEL
2. IMPEDANCE - 100 OHMS DIFFERENTIAL
3. RoHS COMPLIANT, NO EXEMPTIONS
4. EEPROM SPEC IS COMPLIANT TO SFF 8636 REV 2.7 AT zQSFP+ END AND SFF 8472 REV 12.2 AT zSFP+ END
5. EEPROM MAP AVAILABLE UPON REQUEST

MOLEX P/N	LENGTH(M)	TOL.(M)	AWG	RAW CABLE
2058971052	0.5	0.05	30	TEMPFLEX
2058971102	1.0	0.05	30	
2058971152	1.5	0.08	30	
2058971202	2.0	0.08	30	
2058973102	1.0	0.05	26	
2058973152	1.5	0.08	26	
2058973202	2.0	0.08	26	
2058973252	2.5	0.08	26	
2058973302	3.0	0.08	26	

LENGTHS BELOW 1M MAY NOT MEET ALL PARAMETERS OF 802.3cd



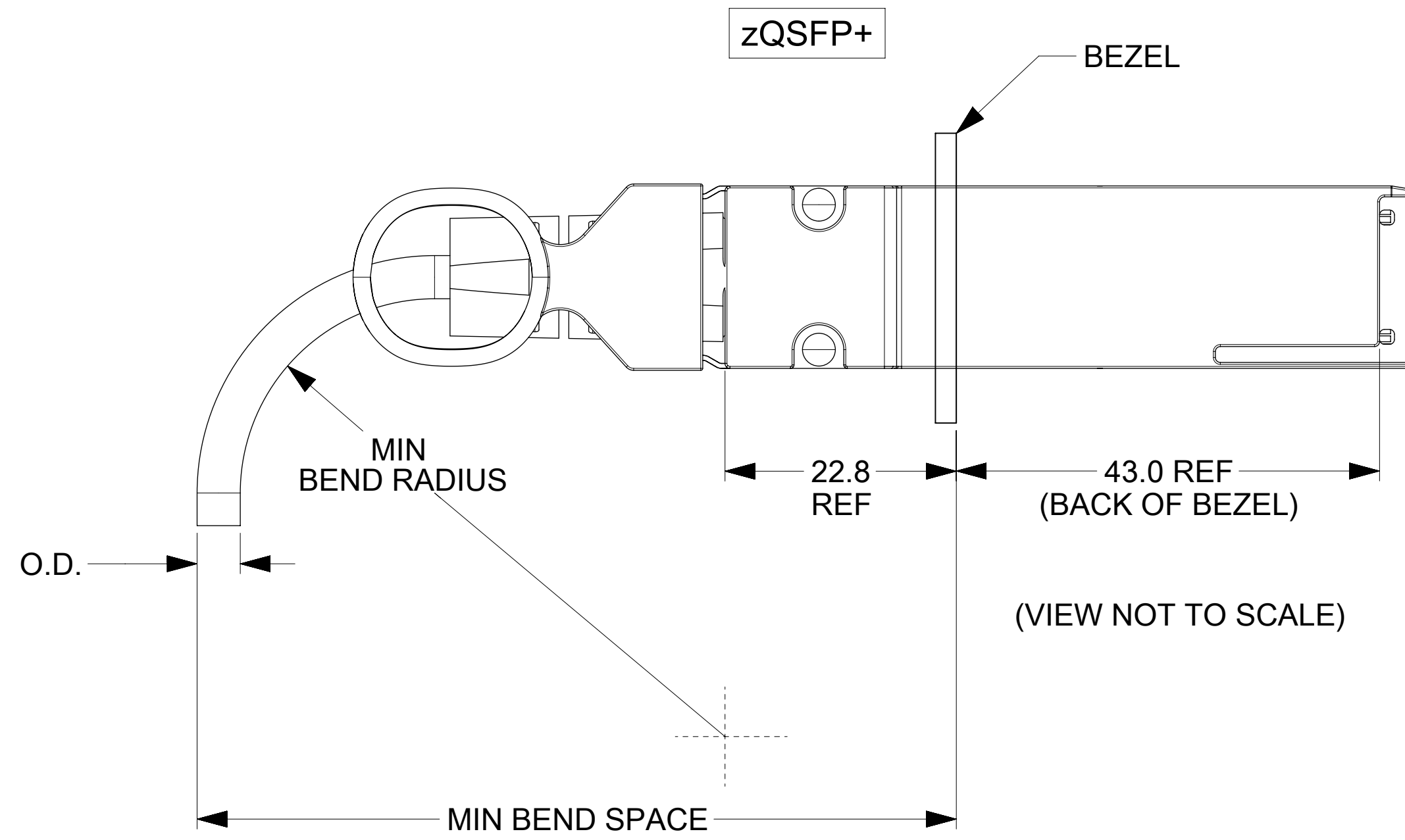
QUALITY SYMBOLS F = 0 E = 0 D = 0 C = 0 B = 0 A = 0 1 = 0 2 = 0 3 = 0 4 = 0 5 = 0 6 = 0 7 = 0 8 = 0 9 = 0 10 = 0 11 = 0 12 = 0 13 = 0 14 = 0 15 = 0 16 = 0 17 = 0 18 = 0 19 = 0	THIS DRAWING CONTAINS INFORMATION THAT IS PROPRIETARY TO MOLEX ELECTRONIC TECHNOLOGIES, LLC AND SHOULD NOT BE USED WITHOUT WRITTEN PERMISSION			
	EC NO: 171930 DRWN: SJKG CHKD: SJKG REV: APPR: ARAYBURN	GENERAL TOLERANCES (UNLESS SPECIFIED) ANGULAR TOL ± 1.0 ° 4 PLACES ± 3 PLACES ± 2 PLACES ± 0.13 1 PLACE ± 0.25 0 PLACES ± DRAFT WHERE APPLICABLE MUST REMAIN WITHIN DIMENSIONS	DIMENSION UNITS: mm SCALE: 1.5:1 DRWN BY: SJKG DATE: 2017/10/31 CHKD BY: KNAGANNA DATE: 2017/11/22 APPR BY: EMEDINA02 DATE: 2017/11/22 DRAWING SIZE: D THIRD ANGLE PROJECTION	SERIES: 205897 MATERIAL NUMBER: SEE P/N TABLE CUSTOMER: GENERAL MARKET
	PRODUCT CUSTOMER DRAWING ZQSFP+ TO 4ZSFP+ PAM4 56G CBL ASSY			CUSTOMER:
	DOCUMENT NUMBER: 2058971052 DOC TYPE: PSD DOC PART: 000 SHEET NUMBER: 1 OF 3		MOLEX® ZQSFP+ TO 4ZSFP+ PAM4 56G CBL ASSY	

WIRING DIAGRAM					
zQSFP+		zSFP+		PLUG	
PAD	SIGNAL	SIGNAL	PAD		
38	GND	----	GND	A	
37	TX1-	--->	RD-		12
36	TX1+	--->	RD+		13
19	GND	----	GND		
17	RX1+	<---	TD+	18	
18	RX1-	<---	TD-	19	
01	GND	----	GND	B	
02	TX2-	--->	RD-		12
03	TX2+	--->	RD+		13
20	GND	----	GND		
22	RX2+	<---	TD+	18	
21	RX2-	<---	TD-	19	
35	GND	----	GND	C	
34	TX3-	--->	RD-		12
33	TX3+	--->	RD+		13
16	GND	----	GND		
14	RX3+	<---	TD+	18	
15	RX3-	<---	TD-	19	
04	GND	----	GND	D	
05	TX4-	--->	RD-		12
06	TX4+	--->	RD+		13
23	GND	----	GND		
25	RX4+	<---	TD+	18	
24	RX4-	<---	TD-	19	

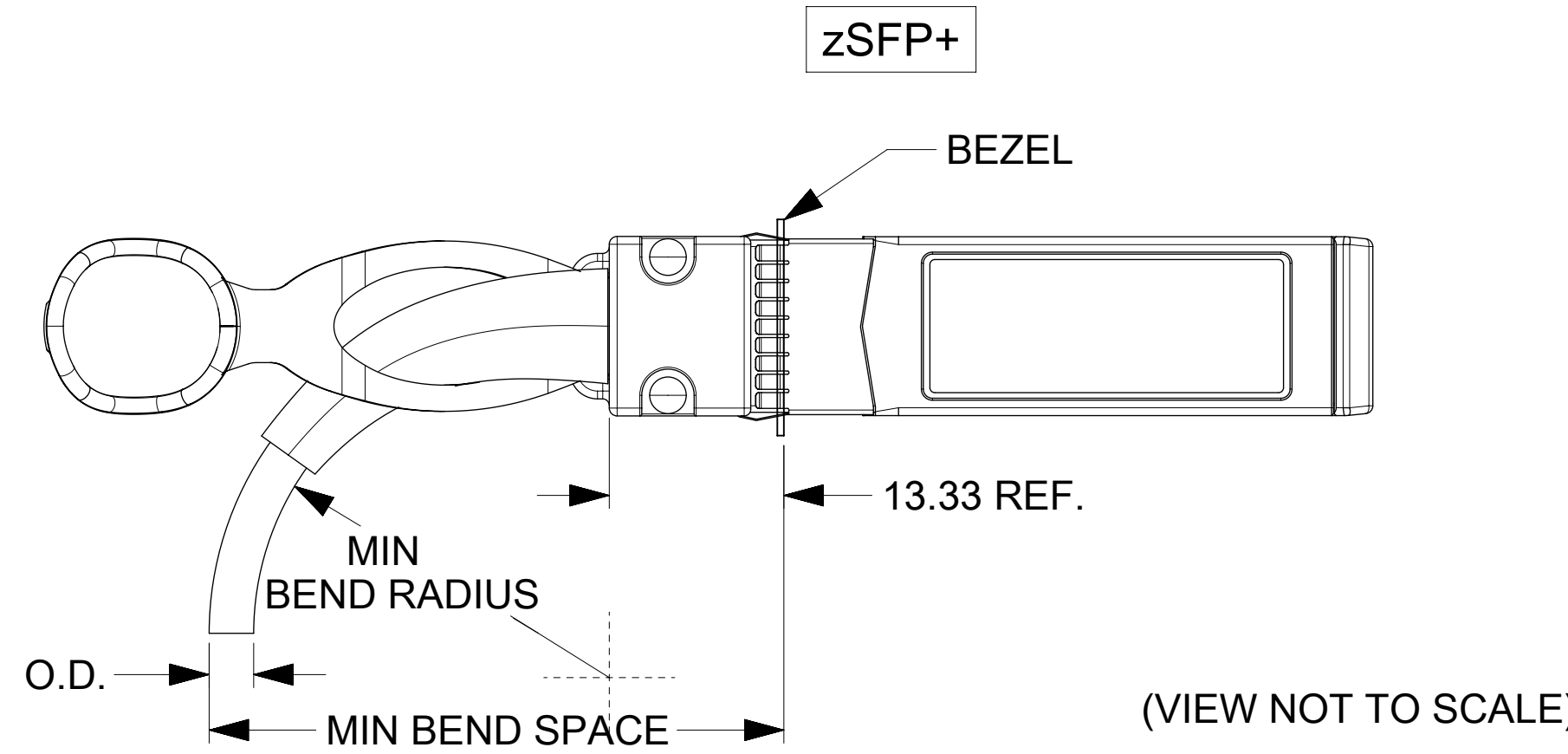
LOW SPEED SIGNALS zQSFP+	
PAD	SIGNAL
08	ModSelL
09	ResetL
10	VccRx
11	SCL
12	SDA
27	ModPrsL
28	IntL
29	VccTx
30	Vcc1
31	LPMODE

LOW SPEED SIGNALS zSFP+	
PAD	SIGNAL
02	Tx_Fault
03	Tx_Disable
04	SDA
05	SCL
06	Mod_ABS
07	RS0
08	Rx_LOS
09	RS1
15	VccR
16	VccT

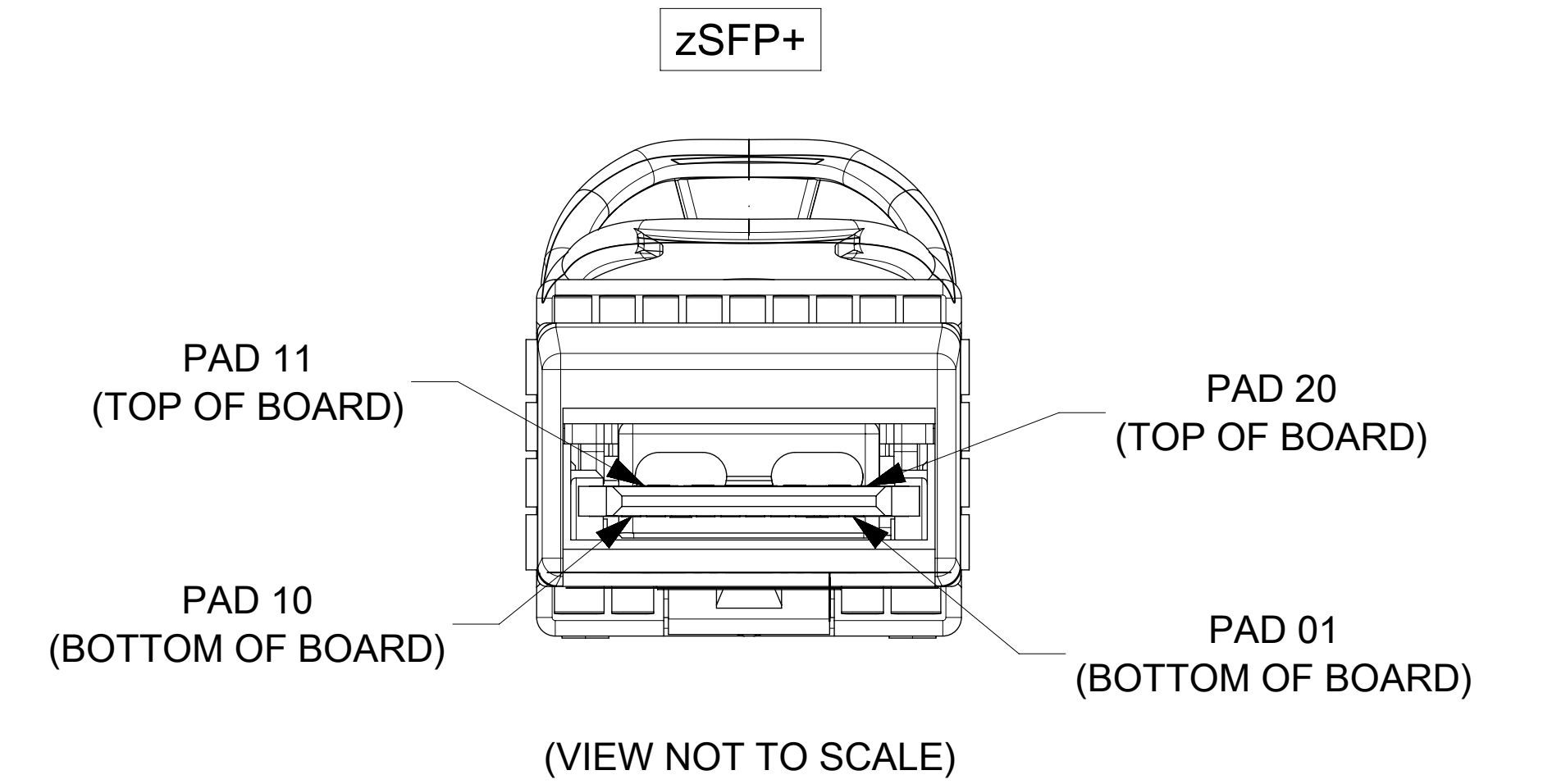
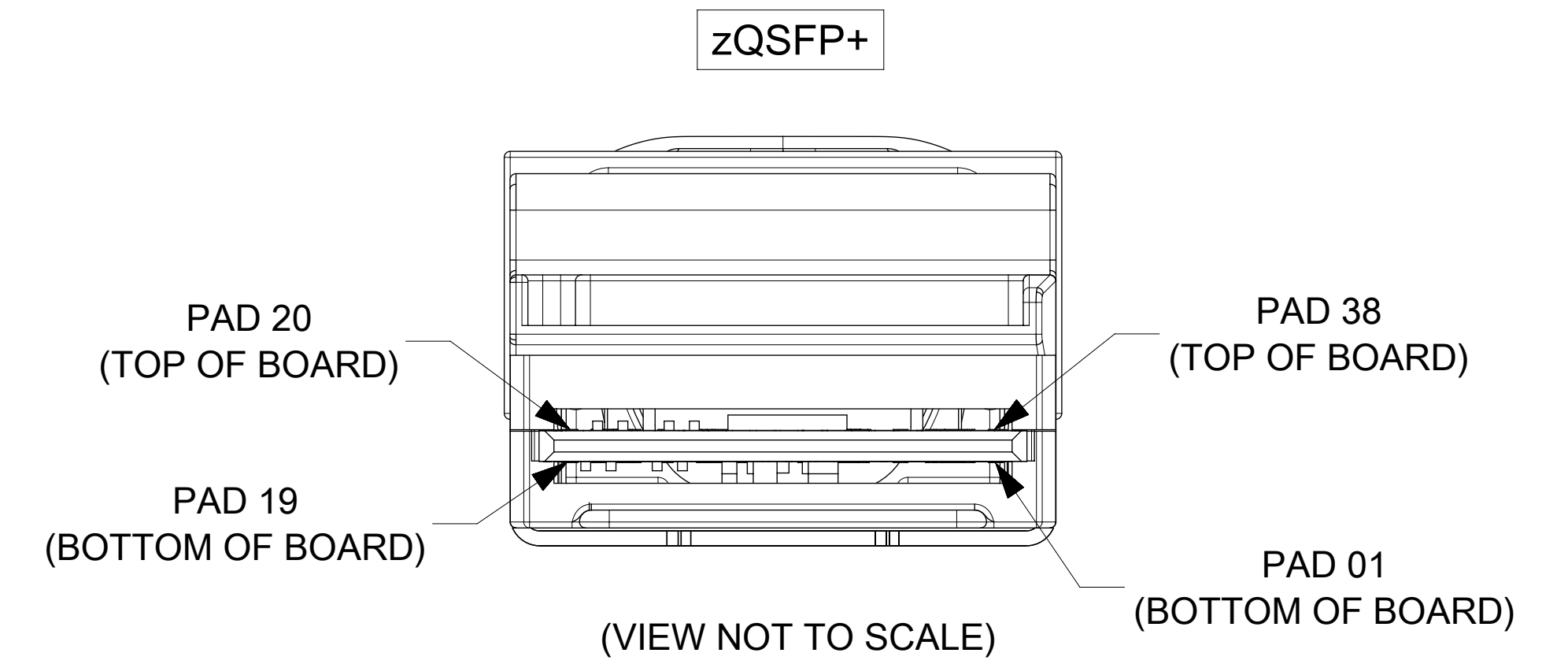
### CABLE BEND RADIUS



CABLE AWG	OD OF CBL BUNDLE	MIN BEND RADIUS (mm)	MIN BEND SPACE (mm)
30	4.83	24	56
26	5.8	29	63



CABLE AWG	OD	MIN BEND RADIUS (mm)	MIN BEND SPACE (mm)
30	4.83	24	42
26	5.80	29	48

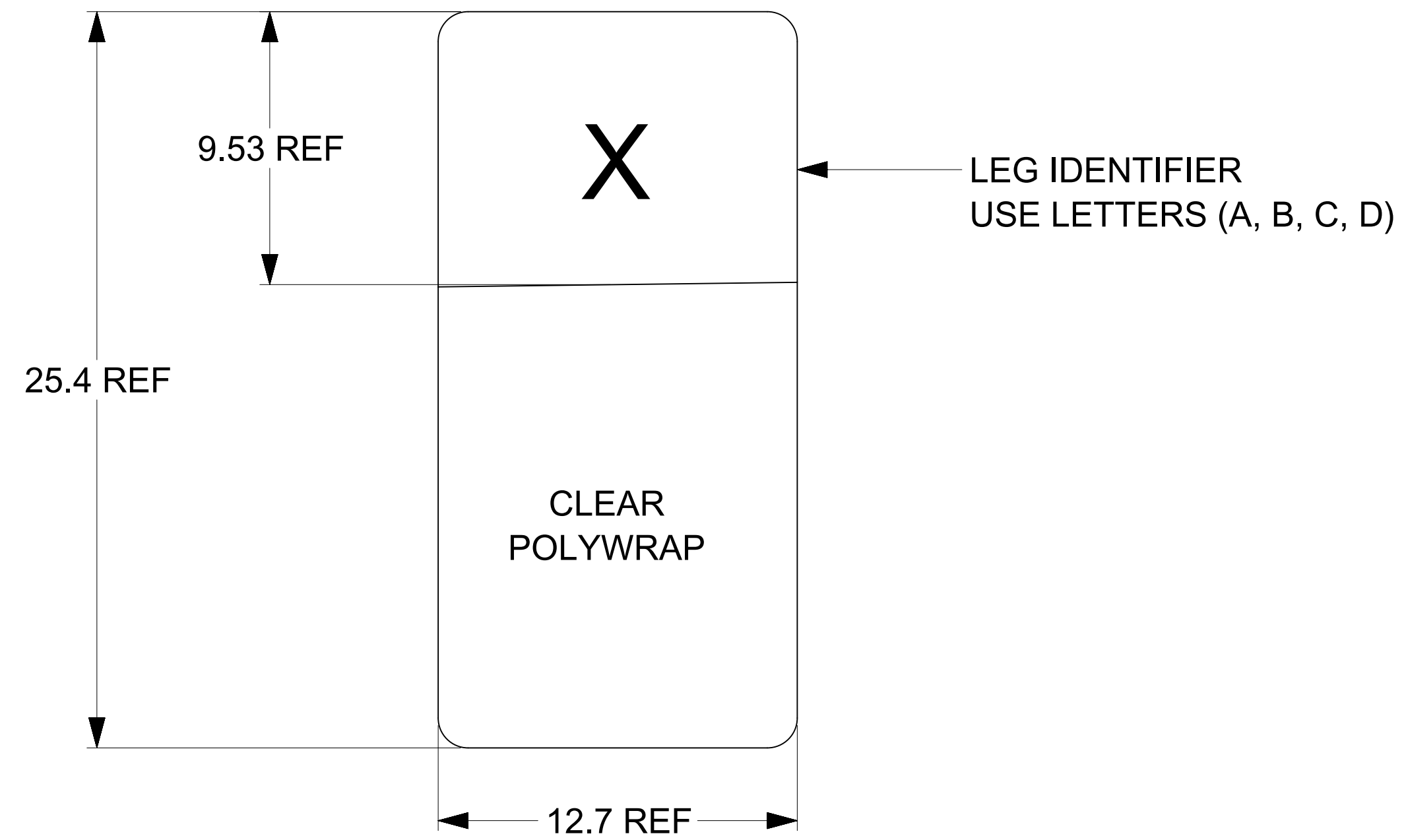


**LEGEND:**  
 ---- = DRAIN LINES  
 ---> = TRANSMIT TO RECEIVE ON HIGH SPEED CIRCUITS

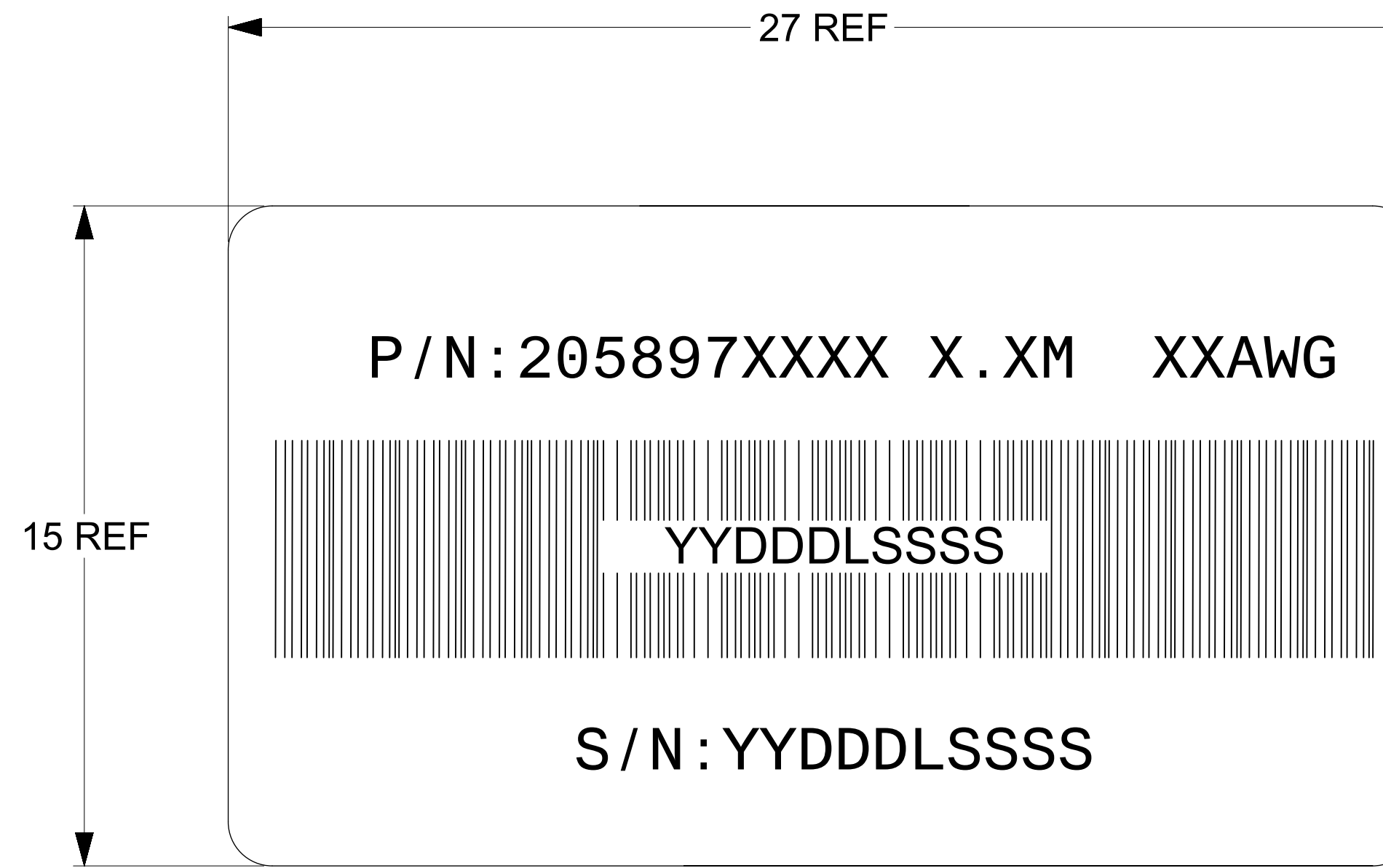
**NOTES:**  
 1. DC BLOCKING CAPS ON RECIEVE SIDE ONLY  
 2. CABLE COILED AND PACKAGED IN BEST FIT ESD BAG AND SEALED WITH ESD LABEL FOR SHIPPING.

QUALITY SYMBOLS F = 0 E = 0 D = 0 C = 0 B = 0 A = 0 0 = 0	THIS DRAWING CONTAINS INFORMATION THAT IS PROPRIETARY TO MOLEX ELECTRONIC TECHNOLOGIES, LLC AND SHOULD NOT BE USED WITHOUT WRITTEN PERMISSION		DIMENSION UNITS mm	SCALE 1:1	
	GENERAL TOLERANCES (UNLESS SPECIFIED) ANGULAR TOL ± 1.0 ° 4 PLACES ± 3 PLACES ± 2 PLACES ± 0.13 1 PLACE ± 0.25 0 PLACES ±	DRWN BY SJKG	DATE 2017/10/31	PRODUCT CUSTOMER DRAWING ZQSFP+ TO 4ZSFP+ PAM4 56G CBL ASSY	
EC NO: 171930 DRWN: SJKG CHKD: SJKG REV: ARAYBURN	ADDED NOTE ON SHEET 1 DRAFT WHERE APPLICABLE MUST REMAIN WITHIN DIMENSIONS	APPR BY KNAGANNA	DATE 2017/11/22	SERIES 205897	MATERIAL NUMBER SEE P/N TABLE
DRAWING SIZE D	THIRD ANGLE PROJECTION	CUSTOMER GENERAL MARKET	DOCUMENT NUMBER 2058971052	DOC TYPE PSD	DOC PART SHEET NUMBER 000 2 OF 3

**LEG ID LABEL**



**CABLE ID LABEL**



P/N (SEE P/N TABLE)  
 X.XM = LENGTH AS SHOWN IN TABLE  
 XXAWG = AWG SIZE

YYDDLSSSS  
 YY = LAST TWO DIGITS OF THE YEAR  
 DDD = DAY OF THE YEAR  
 L = LOCATION  
     1 = US  
     2 = MEXICO  
     3 = CHINA  
     4 = PHILIPPINES  
 SSSS = (0001-9999)

THIS DRAWING CONTAINS INFORMATION THAT IS PROPRIETARY TO MOLEX ELECTRONIC TECHNOLOGIES, LLC AND SHOULD NOT BE USED WITHOUT WRITTEN PERMISSION											
QUALITY SYMBOLS	2018/01/29		GENERAL TOLERANCES (UNLESS SPECIFIED)		DIMENSION UNITS	SCALE					
	△ = 0	2018/02/07	ANGULAR TOL ± 1.0 °		mm	1:1					
▽ = 0	2018/02/07	4 PLACES ±		DRWN BY	DATE		ZQSFP+ TO 4ZSFP+ PAM4 56G CBL ASSY				
□ = 0	2018/02/07	3 PLACES ±		SJKG	2017/10/31						
◇ = 0	2018/02/07	2 PLACES ± 0.13		CHKD BY	DATE		PRODUCT CUSTOMER DRAWING				
◇ = 0	2018/02/07	1 PLACE ± 0.25		KNAGANNA	2017/11/22						
◇ = 0	2018/02/07	0 PLACES ±		APPR BY	DATE		SERIES: 205897    MATERIAL NUMBER: SEE P/N TABLE    CUSTOMER: GENERAL MARKET				
◇ = 0	2018/02/07	DRAFT WHERE APPLICABLE MUST REMAIN WITHIN DIMENSIONS		EMEDINA02	2017/11/22						
◇ = 0	2018/02/07	DRAFT WHERE APPLICABLE MUST REMAIN WITHIN DIMENSIONS		DRAWING SIZE	THIRD ANGLE PROJECTION		DOCUMENT NUMBER: 2058971052    DOC TYPE: PSD    DOC PART: 000    SHEET NUMBER: 3 OF 3				
◇ = 0	2018/02/07	DRAFT WHERE APPLICABLE MUST REMAIN WITHIN DIMENSIONS		D							