

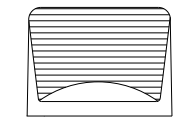
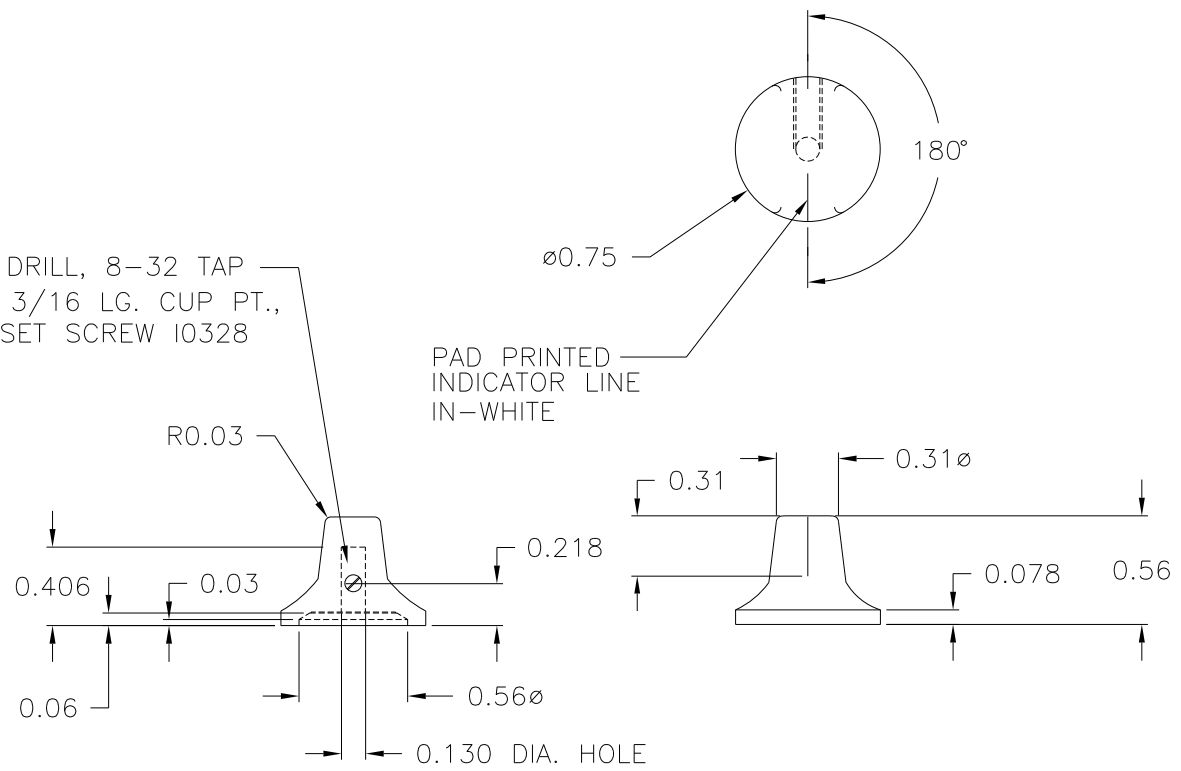
PART NAME: KNOB SCALE: 1:1 DATE: 3/4/96 DR. BY TD

THIS DRAWING IS THE PROPERTY OF DAVIES MOLDING COMPANY, IS SUBMITTED SOLELY AS A DESIGN OR ENGINEERING PROJECT. WE ACCEPT NO RESPONSIBILITY WHATSOEVER FOR THE PRACTICAL APPLICATION OF THE PIECES MADE TO THIS DESIGN.

DAVIES MOLDING COMPANY
CAROL STREAM, ILLINOIS 60188

P/N 1510AM
BASE PART 1510-02
SET SCREW I0328

#28 TAP DRILL, 8-32 TAP
#8-32 X 3/16 LG. CUP PT.,
SLOTTED SET SCREW I0328



MATERIAL: #2311 PLENCO PHENOLIC (B11)
COLOR: BLACK

TOLERANCES: UNLESS OTHERWISE SPECIFIED	DO NOT SCALE DRAWING			
DECIMALS: X.XXX ± .005 X.XX ± .015	MM: X.XX ± 0.15MM X.X ± 0.4MM	-	UPDATED/HAD TOOLBOX	EV. 7/23/02
FRACTIONS ± 1/64	ANG. ± 1°	-	CAD/REDRAWN	HD 4/30/97
CHANGES				