



OAM10- Series 10 W AC/DC Medical Grade



Isolated output 4000VAC
Up to 83% Efficiency
Encapsulated compact size 2" X1"
Medical safety design refer to (2 X MOPP)
ANSI/AAMI ES60601-1 and IEC/EN60601-1
No load power consumption<0.1W
Applications:
Portable medical device, Mobile clinical workstation, Medical computer monitor & Medical examination instrument



		UNIT			
INPUT	Voltage/Freq	V	Universal Input voltage AC 80V ~ 264V (DC 105V~370V) 47 ~ 63Hz		
	Current Typ. 110V	A	0.3 A		
	220V		0.2 A		
	Min. Load	-	0%		
	Inrush Current	A	115V 25A (Ta=25℃ , Io=100% at cold Start); 230V 45A (Ta=25℃ , Io=100% at cold Start)		
	Input Fuse		Fuse 2.5A /250V (slow Blow)		

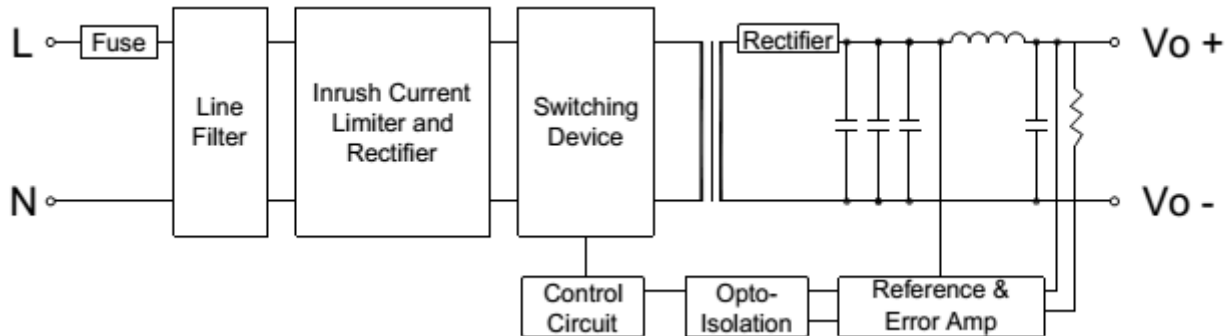
		UNIT	OAM10-5	OAM10-12	OAM10-15	OAM10-24
OUTPUT	Nominal Voltage	VDC	5	12	15	24
	Efficiency typ	%	80	82	82	83
	Current	A	2.00	0.85	0.67	0.46
	Transient Recovery time	us	Vi nom, Io nom = 0.5 Io nom Typ. 1000us			
	Line Regulation	%	+/-0.3	+/-0.3	+/-0.3	+/-0.3
	Load Regulation	%	+/-0.5	+/-0.5	+/-0.5	+/-0.5
	Ripple Noise 20MHz BW full load	mVp-p	100	180	180	200
	Voltage Accuracy	%	+/-3	+/-2	+/-2	+/-2
	Over Load Protection		Auto Recovery Above 110% rated output power			
	Short Circuit Protection		CONT. Auto Recovery 110%~150%			
Over Voltage Protection		Zener Diode Clamp				





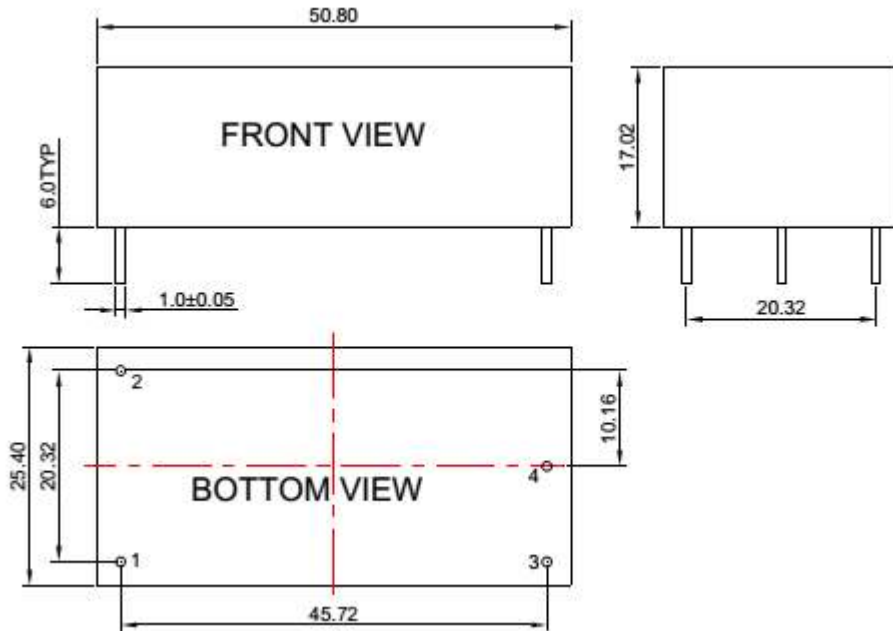
	Switching Frequency	Vi nom, Io nom	65KHz
Isolation	Isolation Voltage	Input / Output 4KVac/ 5mA/ 60 Secs	
	Isolation Resistance	Input / Output, @500 Vdc 100MΩ	
Environment	Operating Temp/Hum.	-20~ +85%	
	Storage Temp/Hum.	-40 ~ +100% HUMIDITY 95% 5RH%	
	Derating	Vi nom, Io nom+51 to 71°C 2 %/°C	
Safety	CE	ANSI/AAMI ES60601-1	
	EMI Conduction & Radiation	Compliance to EN55022	
	EMS Immunity	Compliance to EN55024	
Size	MM	L 50.8 X W25.4 X H17.02mm 40 G	

BLOCK DIAGRAM





DIMENSIONAL DRAWING (mm)



PIN 1	PIN 2	PIN 3	PIN 4
AC LINE	AC NEUTRAL	-Vout	+Vout

OUTPUT DERATING CURVES

