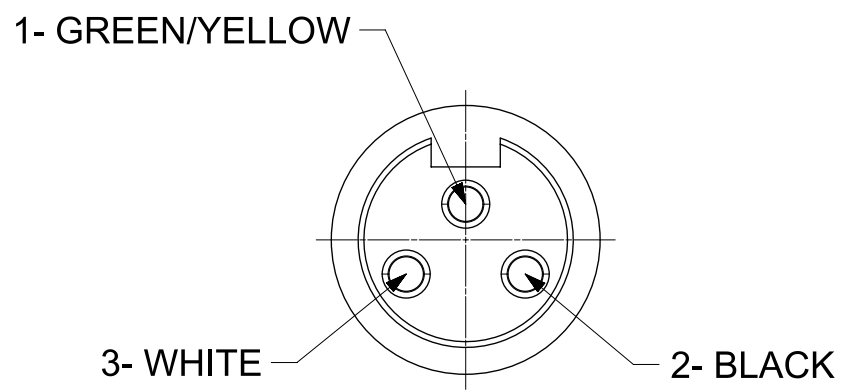
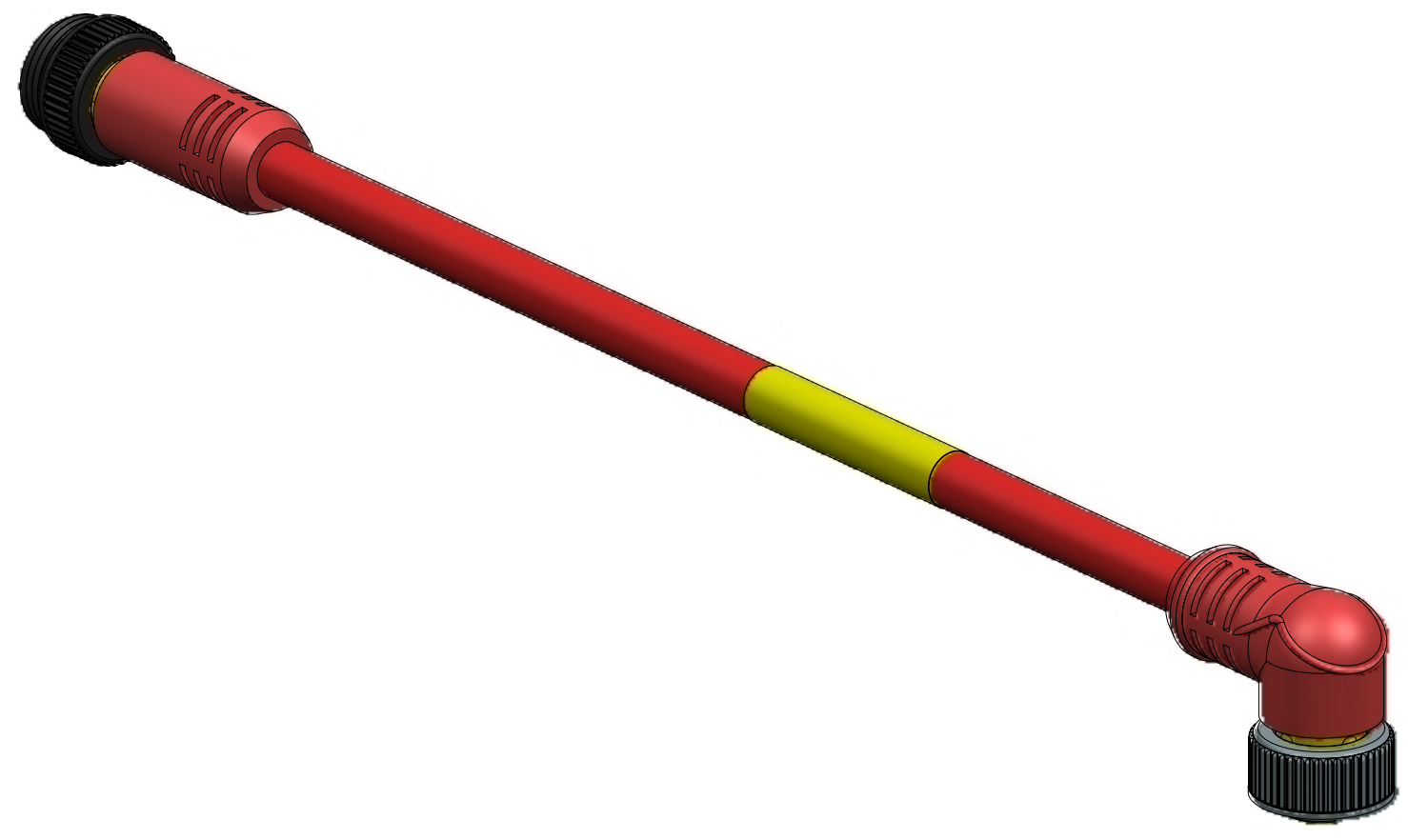
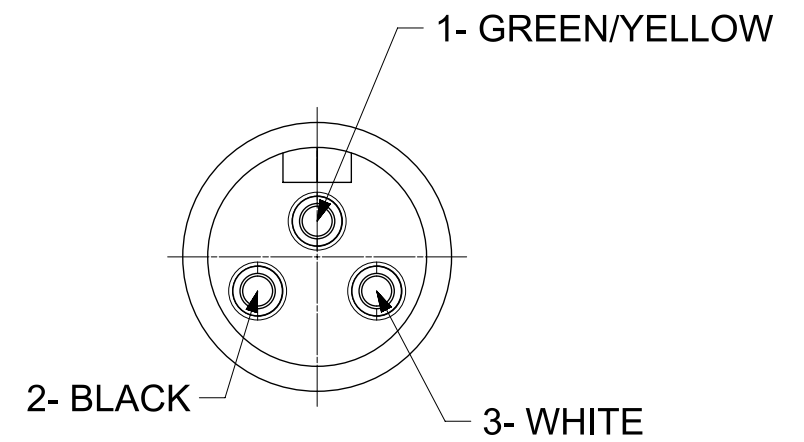


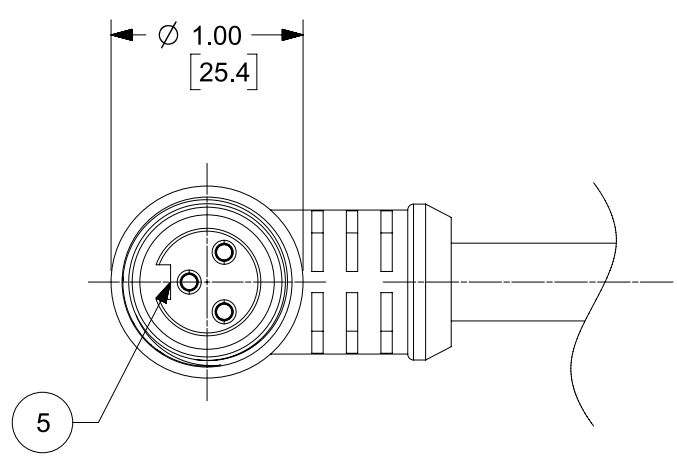
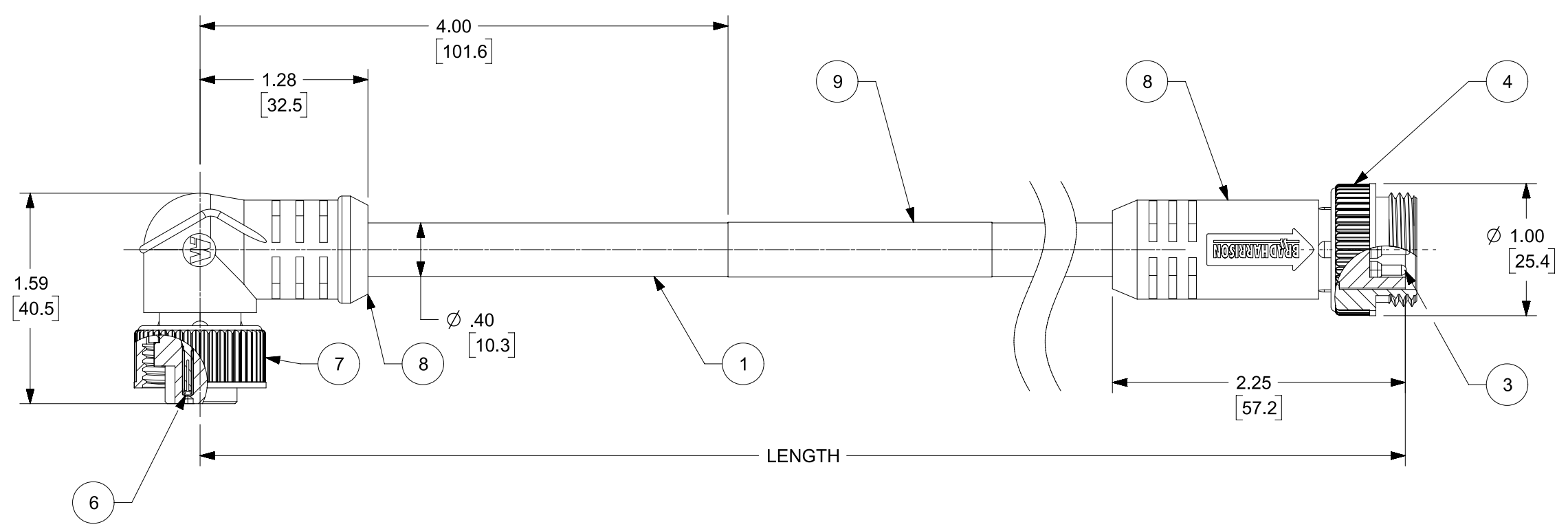
PART NO.	ENGINEERING NO.	LENGTH
1300102111	113031K10M010E	1M (3 FT 3 IN)
1300102171	113031K10M020E	2M (6 FT 7 IN)



FEMALE FACE VIEW



MALE FACE VIEW



- NOTES:
1. MATERIAL: AS NOTED
 2. FINISH: AS NOTED
 3. ELECTRICAL:
VOLTAGE: 500V PER IEC60664
600V PER UL2238
CURRENT: 13A
 4. TEMP RATING: -20°C TO +90°C
 5. PROTECTION: IP67 (WHEN MATED)
 6. COUPLING THREADS: 7/8"-16UN
 7. ADDITIONAL CABLE SPECIFICATIONS:
TORSIONAL FLEX TEST: 20 MILLION CYCLES
BEND FLEX TEST: 20 MILLION CYCLES AT 10X OD
 8. ALL DIMS ARE FOR REFERENCE UNLESS TOLERANCED OR NOTED OTHERWISE
 9. UL APPROVAL: PENDING

PART NUMBER MATRIX

113031K10M010E

LENGTH
M001 = .1 METERS
M010 = 1.0 METERS
M100 = 10 METERS

SALES DRAWING
CUSTOMER PRODUCTION APPROVAL
APPROVED BY: _____
DATE: _____
MUST BE SIGNED AND RETURNED
BEFORE PRODUCTION WILL BEGIN

ITEM	DESCRIPTION	MATERIAL	FINISH
9	WRAP LABEL	VINYL	BLACK/YELLOW
8	OVERMOLD	TPE	RED
7	FEMALE COUPLER	ZINC DIE CAST	BLACK E-COAT
6	CONTACT SOCKET	COPPER ALLOY	GOLD PLATED
5	FEMALE INSERT (A-SIZE)	TPE	YELLOW
4	MALE COUPLER	ZINC DIE CAST	BLACK E-COAT
3	CONTACT PIN	COPPER ALLOY	GOLD PLATED
2	MALE INSERT (A-SIZE)	TPE	YELLOW
1	CABLE #16-3 AWG TC-ER, FT-4	TPE JACKET	RED

CABLE LENGTH TOLERANCES

>.3M [1FT]:	+19mm-0 [+1.75in-0]
.3 - .9M [1 - 3FT]:	+44.5mm-0 [+1.75in-0]
.9 - 1.8M [3 - 6FT]:	+55.6mm-0 [+2.19in-0]
1.8 - 3.7M [6 - 12FT]:	+88.9mm-0 [+3.50in-0]
3.7 - 7.3M [12 - 24FT]:	+165.1mm-0 [+6.50in-0]
7.3-14.6M [24 - 48FT]:	+317.5mm-0 [+12.50in-0]
14.6 - 30.5M [48-100FT]:	+622.3mm-0 [+24.50in-0]
OVER 30M [100FT]	+2% OF FINISHED LENGTH

SYMBOLS		THIS DRAWING CONTAINS INFORMATION THAT IS PROPRIETARY TO MOLEX ELECTRONIC TECHNOLOGIES, LLC AND SHOULD NOT BE USED WITHOUT WRITTEN PERMISSION	
▽ = 0	DIMENSION UNITS	SCALE	CURRENT REV DESC: INITIAL RELEASE
▽ = 0	HYBRID	1:1	
▽ = 0	GENERAL TOLERANCES (UNLESS SPECIFIED)		
▽ = 0	ANGULAR TOL ± °		EC NO: 623053
▽ = 0	4 PLACES ±		DRWN: MZIELINSKI 2017/09/13
▽ = 0	3 PLACES ±		CHK'D: MZIELINSKI 2019/08/28
▽ = 0	2 PLACES ±		APPR: BWOODMAN 2019/08/29
▽ = 0	1 PLACE ±		INITIAL REVISION:
▽ = 0	0 PLACES ±		DRWN: MZIELINSKI 2017/09/13
▽ = 0	DRAFT WHERE APPLICABLE MUST REMAIN WITHIN DIMENSIONS	THIRD ANGLE PROJECTION	APPR: BWOODMAN 2019/08/29
▽ = 0		DRAWING	SERIES
		C-SIZE	130010
		MATERIAL NUMBER	CUSTOMER
		SEE P/N CHART	FORD
		DOCUMENT NUMBER	DOC TYPE DOC PART REVISION
		1300102111	PSD 000 A
		SHEET NUMBER	1 OF 1

DOCUMENT STATUS	P1	RELEASE DATE	2019/08/29 15:48:00
-----------------	----	--------------	---------------------