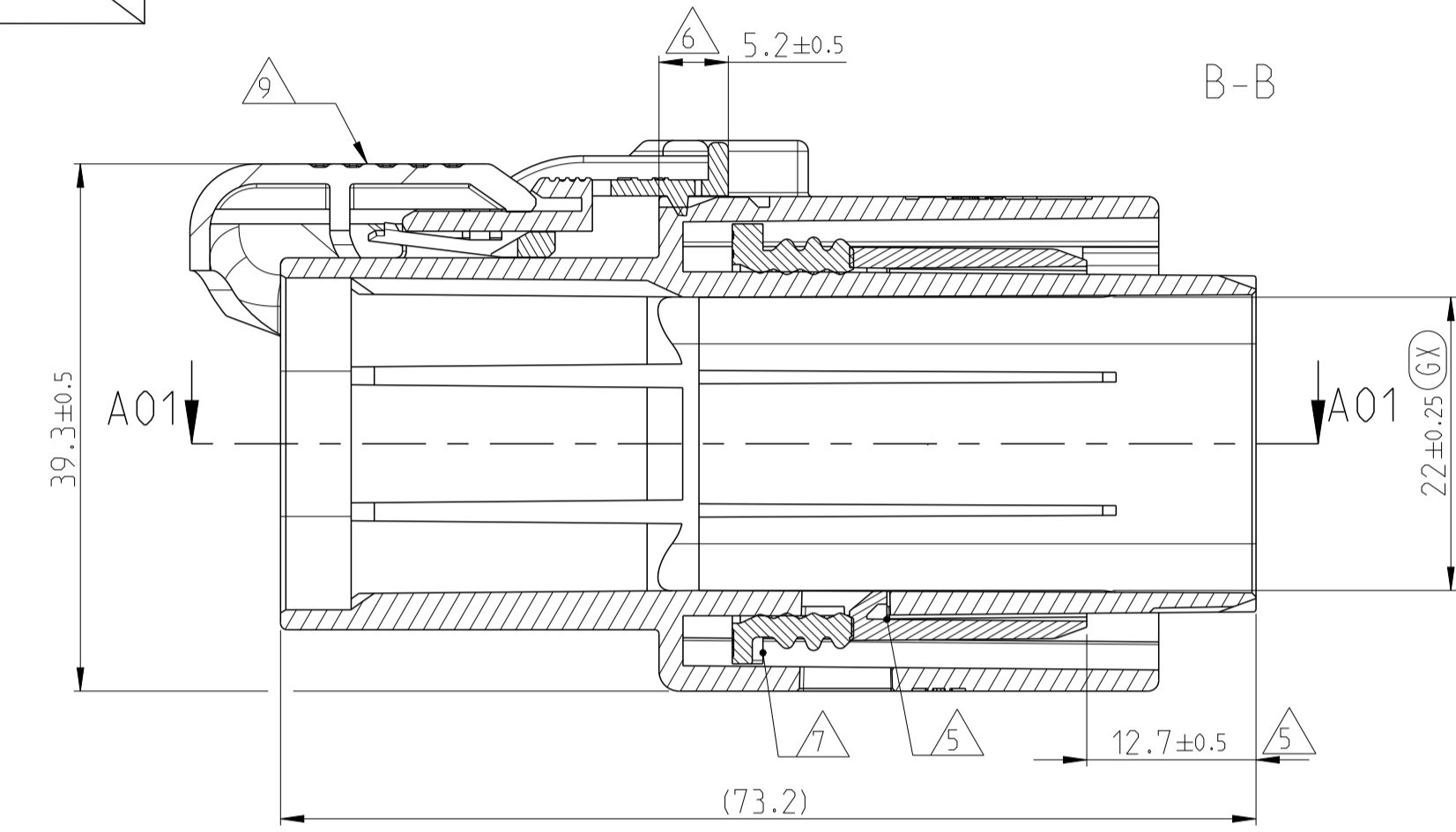
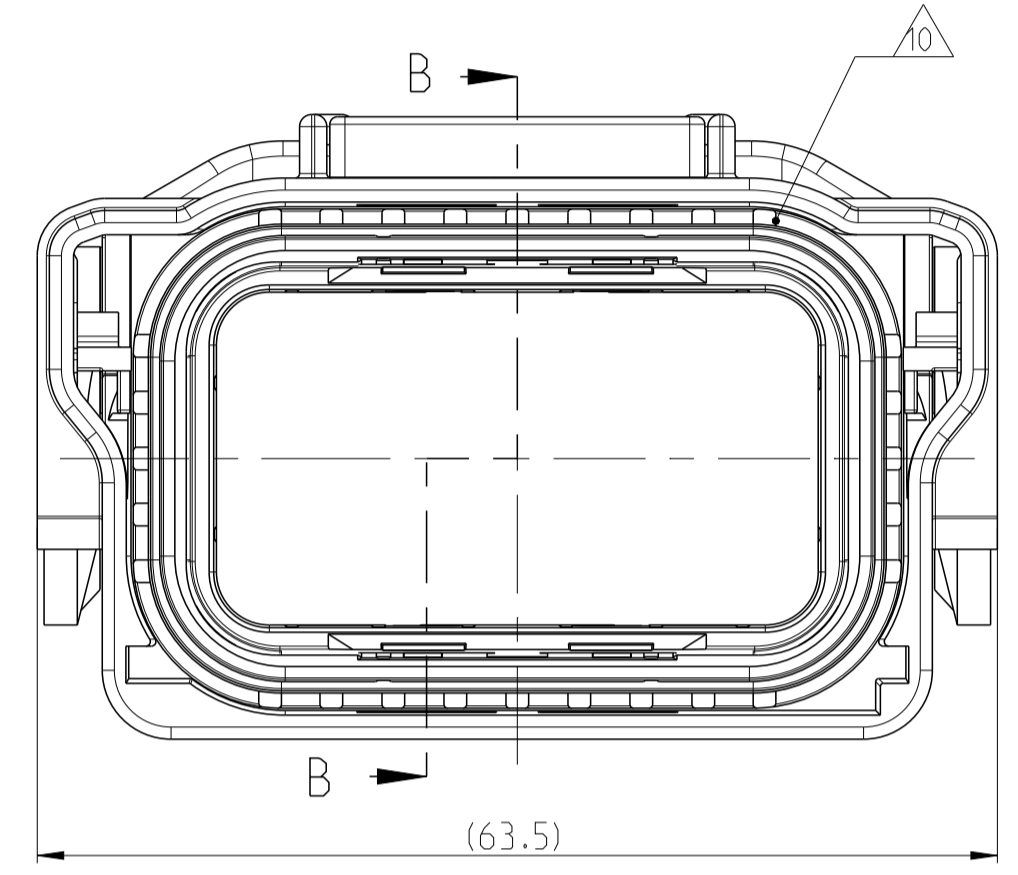


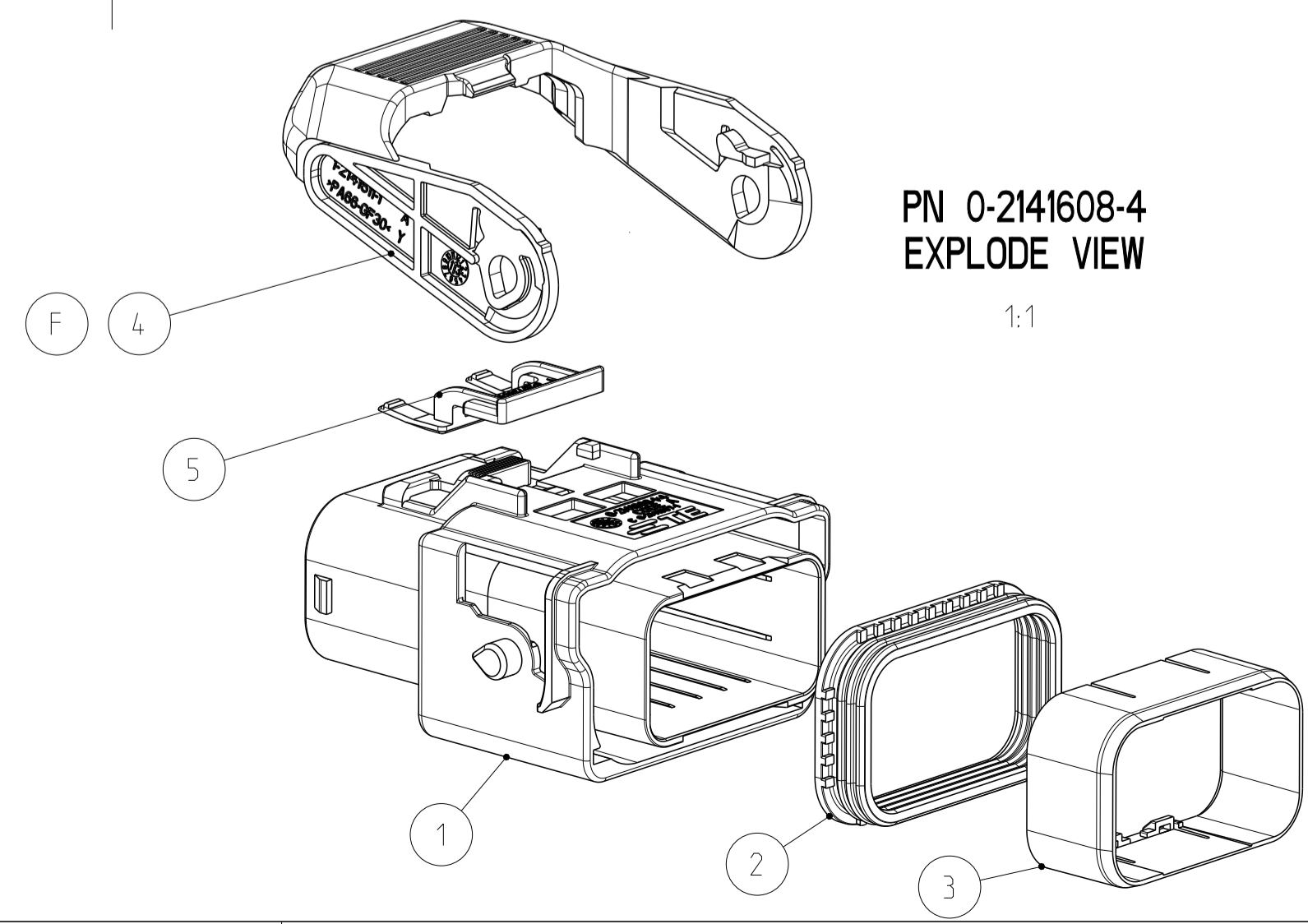
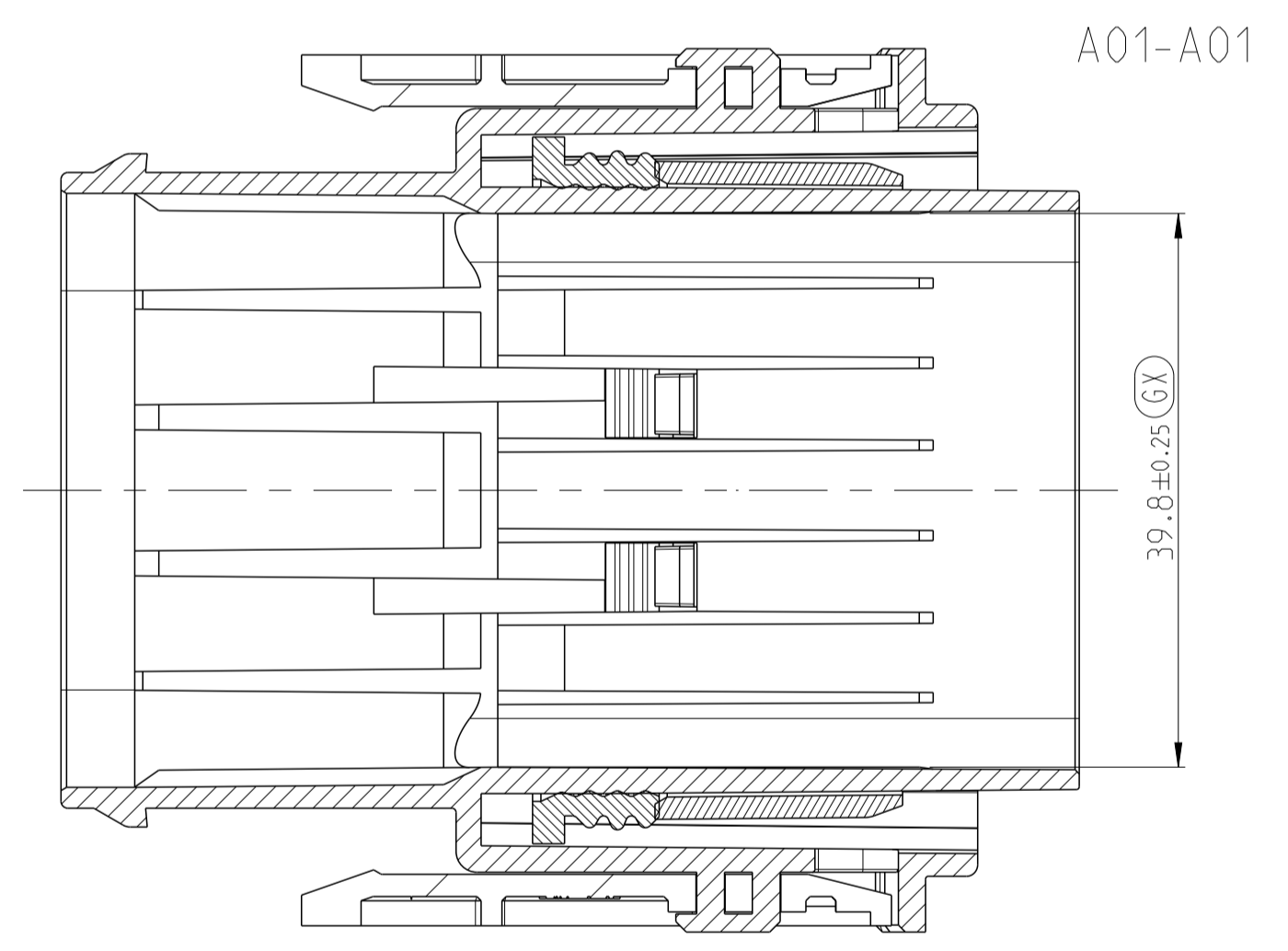
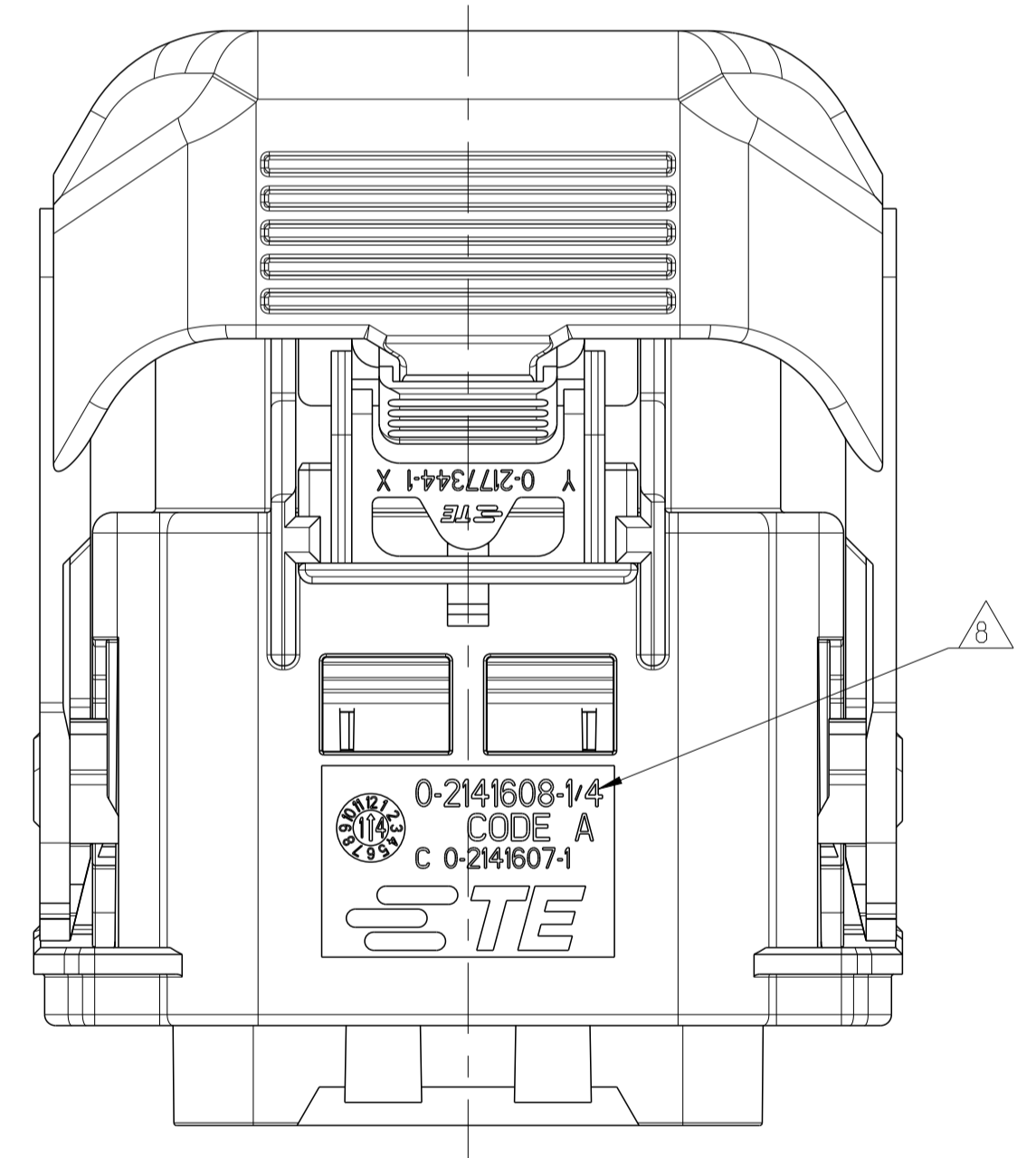
REV	LTN	DESCRIPTION	DATE	OWN	APVD
C	SEE BALLOON C		24SEP2014	MKP	FWI
D	SEE BALLOON D		03MAR2015	AHM	FWI
E	SEE BALLOON E		26NOV2015	RSC	FWI
F	SEE BALLOON F		14NOV2016	RSC	KKI

- NOTES
 Bemerkungen
- IN CASE OF DISCREPANCIES BETWEEN GERMAN AND ENGLISH TEXT THE GERMAN TEXT IS BINDING
 Im Falle von Unterschieden zwischen dem deutschen und dem englischen Text ist der deutsche Text verbindlich
 - LAYER PACKING WITH CORRUGATED CARDBOARD INTO CARTON ACCORDING SPEC 107-18032
 Lageweise Verpackung mit Wellpappeinlagen in Karton gemass Spec. 107-18032
 - DELIVERY CONDITION AS SHOWN. SECONDARY LOCK IN PRELOCK POSITION
 PULL-OFF FORCE min.20N
 Lieferzustand wie dargestellt. Kontaktgehäusesicherung in Vorraststellung
 Ruckhaltekraft min. 20N
 - DELIVERY CONDITION AS SHOWN. CPA IN ENDOCK POSITION
 Lieferzustand wie dargestellt. Positionssicherung in Endraststellung
 - DELIVERY CONDITION AS SHOWN. SEALING IN CORRECT ORIENTATION
 Lieferzustand wie dargestellt. Dichtung in korrekter Orientierung
 - TE PART NUMBER ASSEMBLY
 TE-Teilenummer Baugruppe
 - LEVER IN CORRECT COLOR ACCORDING TO CODING OF CONNECTOR
 Hebelfarbe entsprechend der Steckercodierung
 - MAX. ROTATION OF SEAL AROUND CENTERLINE ±2mm
 Max. Verdrehung der Dichtung um Steckerachse ±2mm

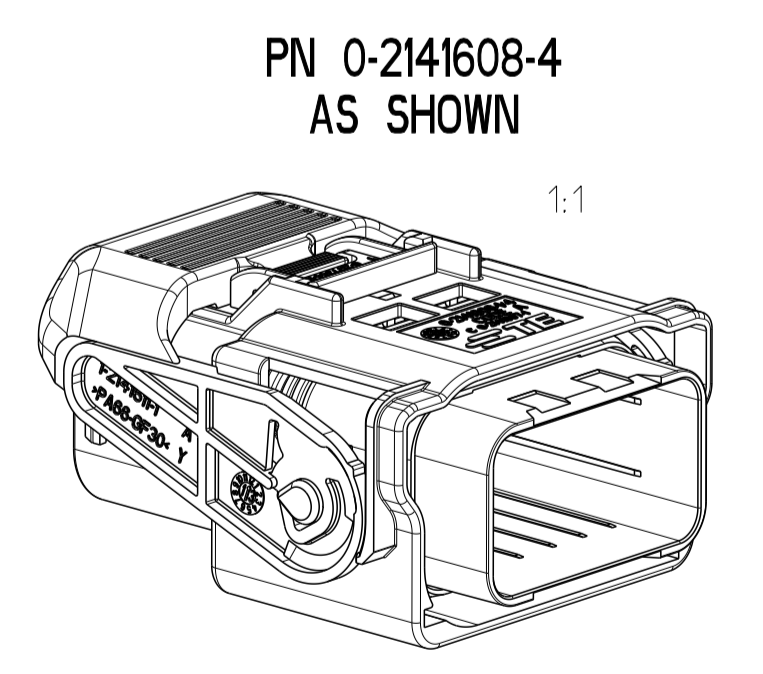
NOTE Bem.	FEATURE Merkmal	TE - No.
11	MATING PIN HEADER BY TE CONNECTIVITY Passende Stiftwanne von TE Connectivity	2141619 / 2236454
12	PRODUCT-SPEC. Produkt-Spez.	108-94235
13	APPLICATION-SPEC. Verarbeitungs-Spez.	114-94114



CODE	DESCRIPTION - ASSY	WEIGHT (g)	TE ORDER-NO.	REV	QTY	DESCRIPTION - PART	MATERIAL	MAX. REGRIND ALLOWED	COLOUR	ITEM
Z	5POS. RECEPTACLE HSG. ASSY. WITH CPA	54.98	0-2141608-6	F	1	CPA	PA6-(GF+GB)30		RED	5
					1	LEVER, 5POS schwarz / BLACK	PA66-GF30		WATER BLUE	4
					1	SECONDARY LOCK HV CONNECTOR 5 POS	PA6-(GF+GB)30		BLACK	3
					1	RADIAL SEAL HV CONNECTOR 5 POS	SILTEGN RUBBER		NATURAL	2
					1	OUTER HOUSING HV CONNECTOR 5 POS CODE Z	PA66-GF30		ORANGE	1
					1	CPA	PA6-(GF+GB)30		RED	5
B	5POS. RECEPTACLE HSG. ASSY. WITH CPA	54.98	0-2141608-5	F	1	LEVER, 5POS schwarz / BLACK	PA66-GF30		WHITE	4
					1	SECONDARY LOCK HV CONNECTOR 5 POS	PA6-(GF+GB)30		BLACK	3
					1	RADIAL SEAL HV CONNECTOR 5 POS	SILTEGN RUBBER		NATURAL	2
					1	OUTER HOUSING HV CONNECTOR 5 POS CODE B	PA66-GF30		ORANGE	1
A	5POS. RECEPTACLE HSG. ASSY. WITH CPA	54.98	0-2141608-4	F	1	CPA	PA6-(GF+GB)30	25%	RED	5
					1	LEVER, 5POS schwarz / BLACK	PA66-GF30	20%	BLACK	4
					1	SECONDARY LOCK HV CONNECTOR 5 POS	PA6-(GF+GB)30	25%	BLACK	3
					1	RADIAL SEAL HV CONNECTOR 5 POS	SILICON RUBBER	0%	NATURAL	2
					1	OUTER HOUSING HV CONNECTOR 5 POS CODE A	PA66-GF30	20%	ORANGE	1
Z	5POS. RECEPTACLE HSG. ASSY. WITHOUT CPA	54	0-2141608-3	E	1	LEVER, 5POS schwarz / BLACK	PA66-GF30		WATER BLUE	4
					1	SECONDARY LOCK HV CONNECTOR 5 POS	PA6-(GF+GB)30		BLACK	3
					1	RADIAL SEAL HV CONNECTOR 5 POS	SILICON RUBBER		NATURAL	2
					1	OUTER HOUSING HV CONNECTOR 5 POS CODE Z	PA66-GF30		ORANGE	1
B	5POS. RECEPTACLE HSG. ASSY. WITHOUT CPA	54	0-2141608-2	E	1	LEVER, 5POS schwarz / BLACK	PA66-GF30		WHITE	4
					1	SECONDARY LOCK HV CONNECTOR 5 POS	PA6-(GF+GB)30		BLACK	3
					1	RADIAL SEAL HV CONNECTOR 5 POS	SILICON RUBBER		NATURAL	2
					1	OUTER HOUSING HV CONNECTOR 5 POS CODE B	PA66-GF30		ORANGE	1
A	5POS. RECEPTACLE HSG. ASSY. WITHOUT CPA	54	0-2141608-1	E	1	LEVER, 5POS schwarz / BLACK	PA66-GF30	20%	BLACK	4
					1	SECONDARY LOCK HV CONNECTOR 5 POS	PA6-(GF+GB)30	25%	BLACK	3
					1	RADIAL SEAL HV CONNECTOR 5 POS	SILICON RUBBER	0%	NATURAL	2
					1	OUTER HOUSING HV CONNECTOR 5 POS CODE A	PA66-GF30	20%	ORANGE	1



PN 0-2141608-4
 EXPLODE VIEW
 1:1



DIESE ZEICHNUNG IST EIN KONTROLLIERTES DOKUMENT.
 BEMESSUNGEN UND TOLERANZEN GEMAESS GPS (ISO STANDARDS).

THIS DRAWING IS A CONTROLLED DOCUMENT.
 DIMENSIONING AND TOLERANCING PER GPS (ISO STANDARDS)

DIMENSIONS: MASSENEIEN: MM	TOLERANCES UNLESS OTHERWISE SPECIFIED: ALLE DIMENSIONEN	0 PLC ±0.15 ISO	1 PLC ±0.20 ISO	2 PLC ±0.25 ISO	3 PLC ±0.30 ISO	4 PLC ±0.40 ISO
MATERIAL	FINISH/OBERFLAECHE/FARBE	WEIGHT GEWICHT	SCALE MASSSTAB	SHEET BLATT	OF VON	REV F

Customer Drawing

NAME: OUTER HOUSING, HV CONNECTOR, 5 POS
 Aussengehaeuse, HV Stecker, 5 polig
 AMP MCP6.3/4.8K

DATE: 26SEP2013
 DRAWING NO: 26SEP2013
 DRAWING NO: 26SEP2013
 DRAWING NO: 26SEP2013

SCALE: 2:1

RESTRICTED TO NBR-PUR