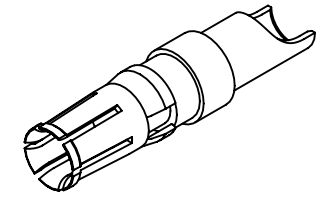
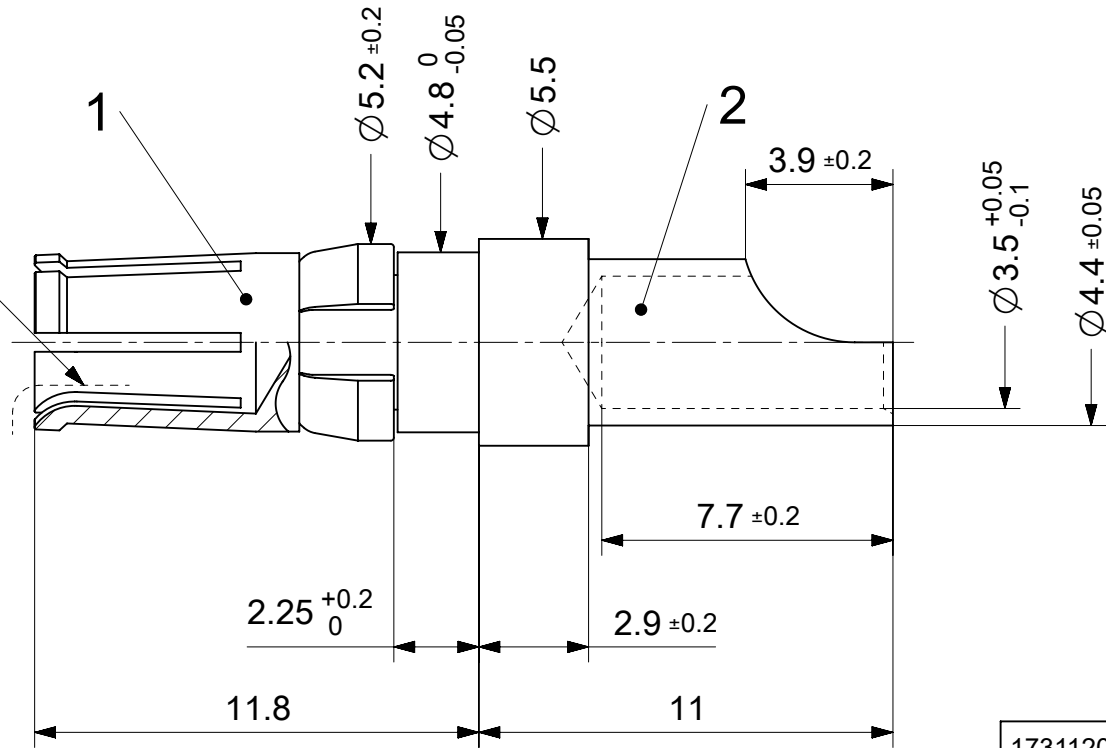


Contact area



2:1

RoHS compliant
by exemption

1731120293	FMP105S103	103
1731120914	FMP105S105	105
1731121086	FMP105S203	203
Material Number	FCT Part Number	Material + Finish See extra sheet

UNLESS OTHERWISE SPECIFIED DIMENSIONS FOR REFERENCE ONLY				REPLACEMENT FOR DOCUMENT NUMBER: FMP105S				
THIS DRAWING CONTAINS INFORMATION THAT IS PROPRIETARY TO MOLEX ELECTRONIC TECHNOLOGIES, LLC AND SHOULD NOT BE USED WITHOUT WRITTEN PERMISSION								
FUNCTIONAL SYMBOLS	DIMENSION UNITS	SCALE	CURRENT REV DESC:					
	mm	5:1						
GENERAL TOLERANCES (UNLESS SPECIFIED)	ANGULAR TOL	±						
	4 PLACES	±						
DIVISIONAL SYMBOLS	3 PLACES	±	EC NO: 686935					
	2 PLACES	±	DRWN: FVETTER 2021/11/29					
	1 PLACE	±	CHK'D: MTEUBEL 2021/11/30					
	0 PLACES	±	APPR: MTEUBEL 2021/11/30					
DRAFT WHERE APPLICABLE MUST REMAIN WITHIN DIMENSIONS			FIRST ANGLE PROJECTION	DRAWING	SERIES	MATERIAL NUMBER	CUSTOMER	SHEET NUMBER
				A4-SIZE	173112	SEE TABLE	GENERAL MARKET	1 OF 1
		INITIAL REVISION:		DOCUMENT NUMBER		DOC TYPE	DOC PART	REVISION
		DRWN: VLOKESHA 2021/04/07		1731120293		PSD	000	A1
		APPR: MTEUBEL 2021/11/25						

molex

FCT 30A HIGH POWER CONTACT FOR D-SUB

PRODUCT CUSTOMER DRAWING