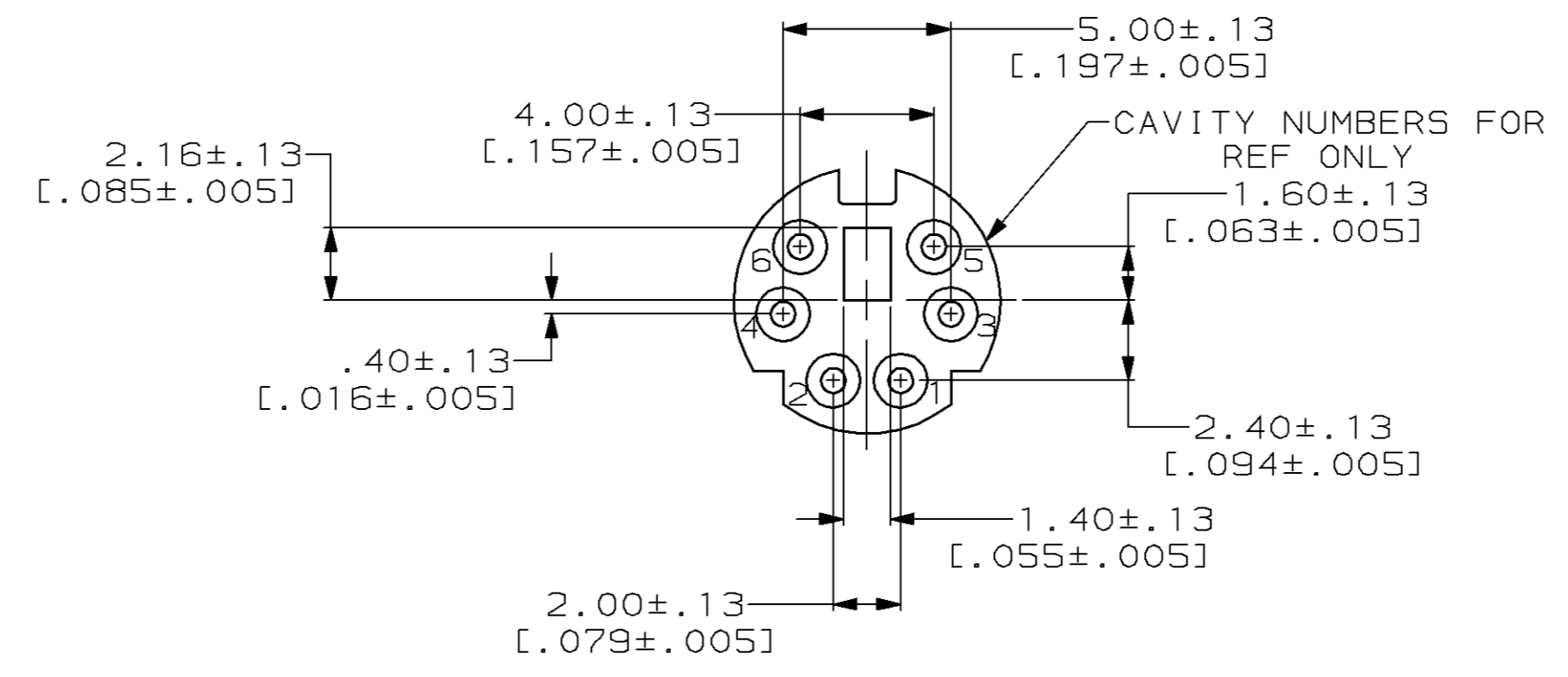
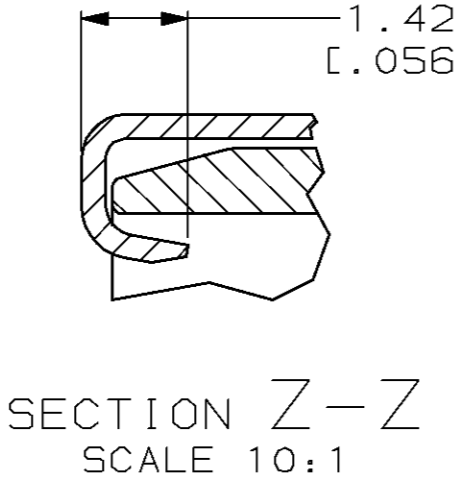
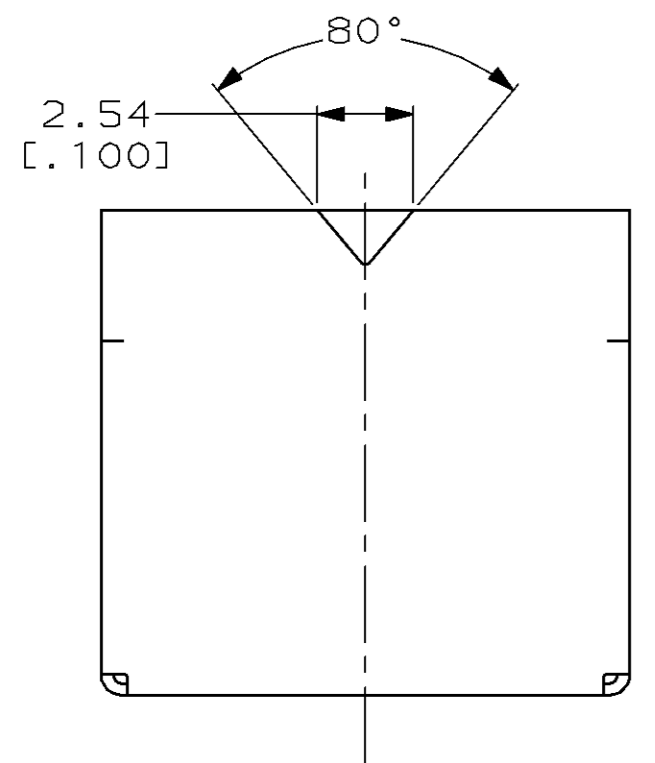
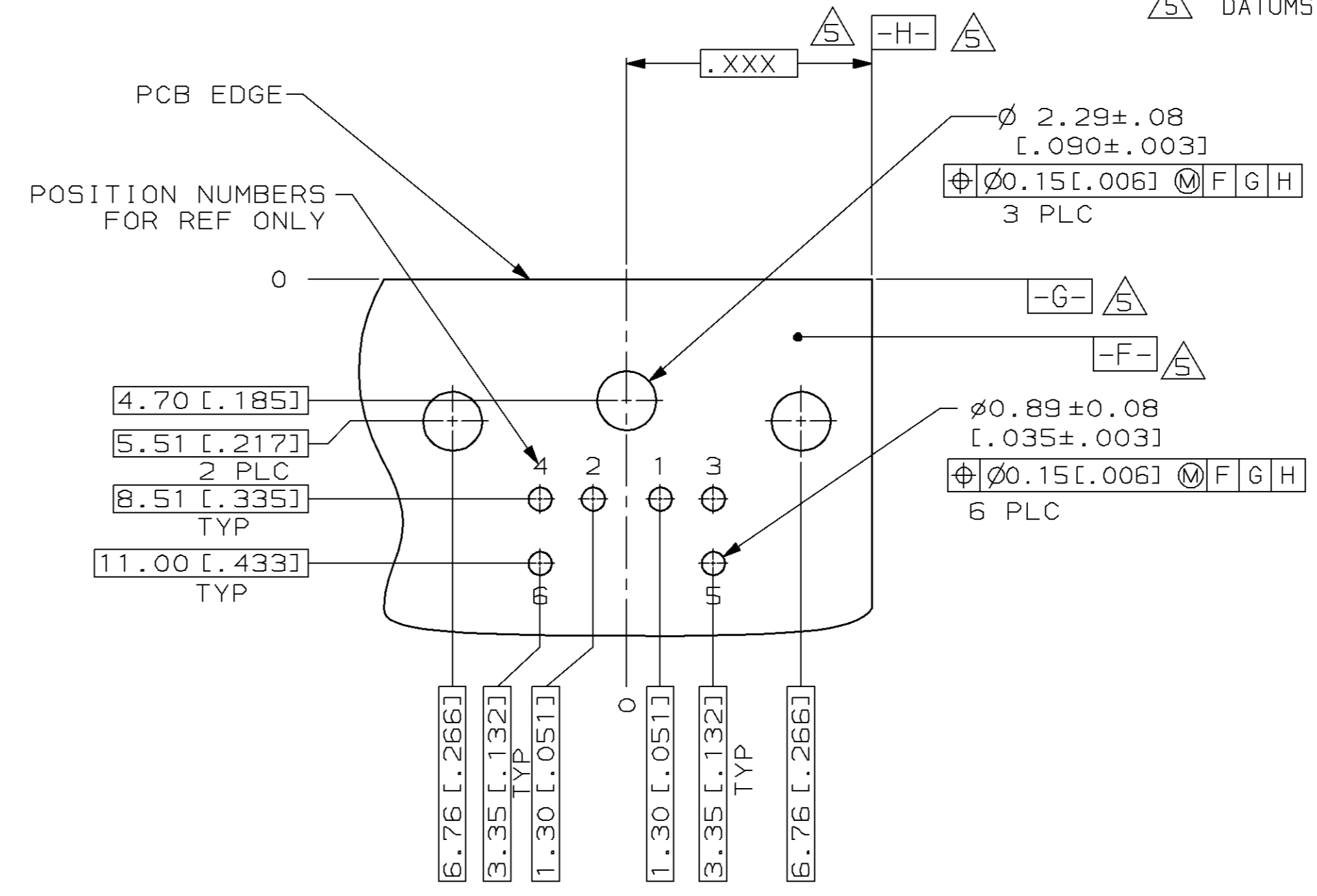
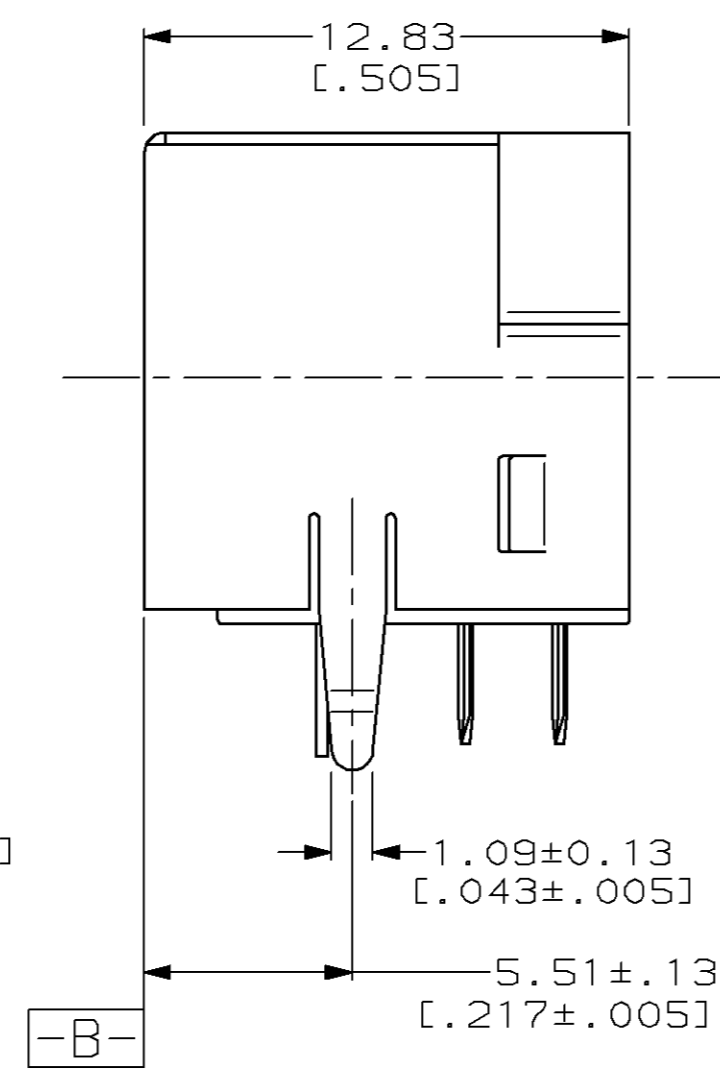
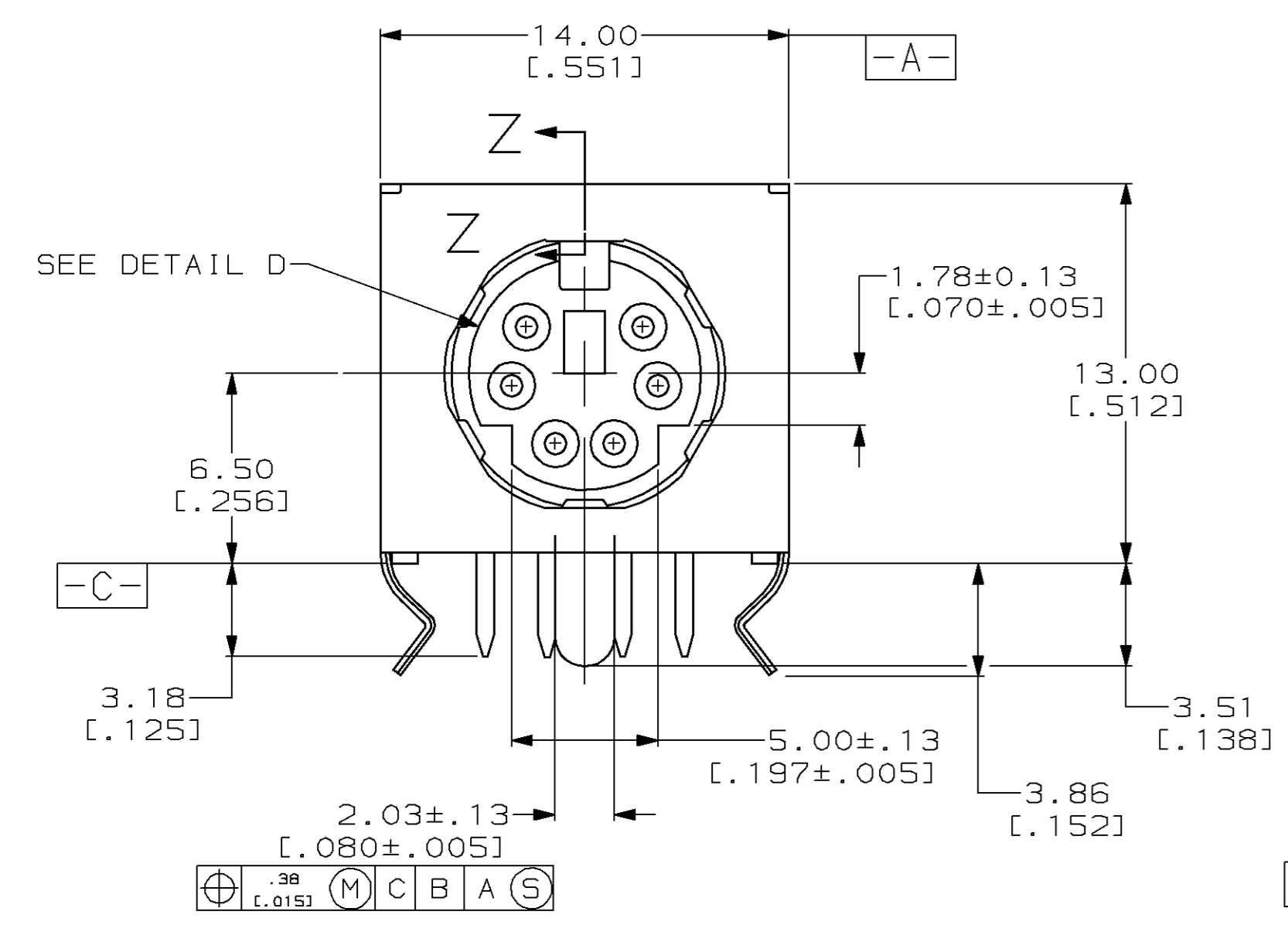


LOC	DIST	P	F	ZONE	LTR	REVISIONS			
						DESCRIPTION	DATE	APPD	
						O	RLSE NPR 2275 WAS 88-4837-19	01/05/89	-
						A	REVISED ECN-BD2959	05/08/89	RW
						B	REVISED ECN BD3043	06/20/89	RW
						C	REV PER ECN BD5426	10/28/91	RW
						D	ADDED -2 PER NPR 4448, WAS 92-4264-33-1	10/27/92	RB
						E	REV PER EC 0020-792-94	03/04/95	RB
						F	REV PER EC 0020-824-95	12 OCT 95	JGH
						G	REV PER EC 0410-95-96	03 MAR 97	JGH
						H	OBsolete -2 PER EC 0410-194-96	08 SEP 97	JGH
						J	REV PER EC 0410-281-97	28 SEP 97	JGH
						K	REV PER EC 0410-410-97	05 FEB 98	JGH

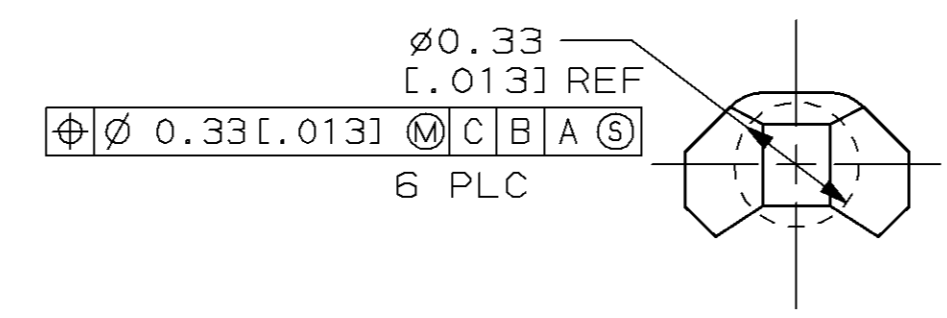
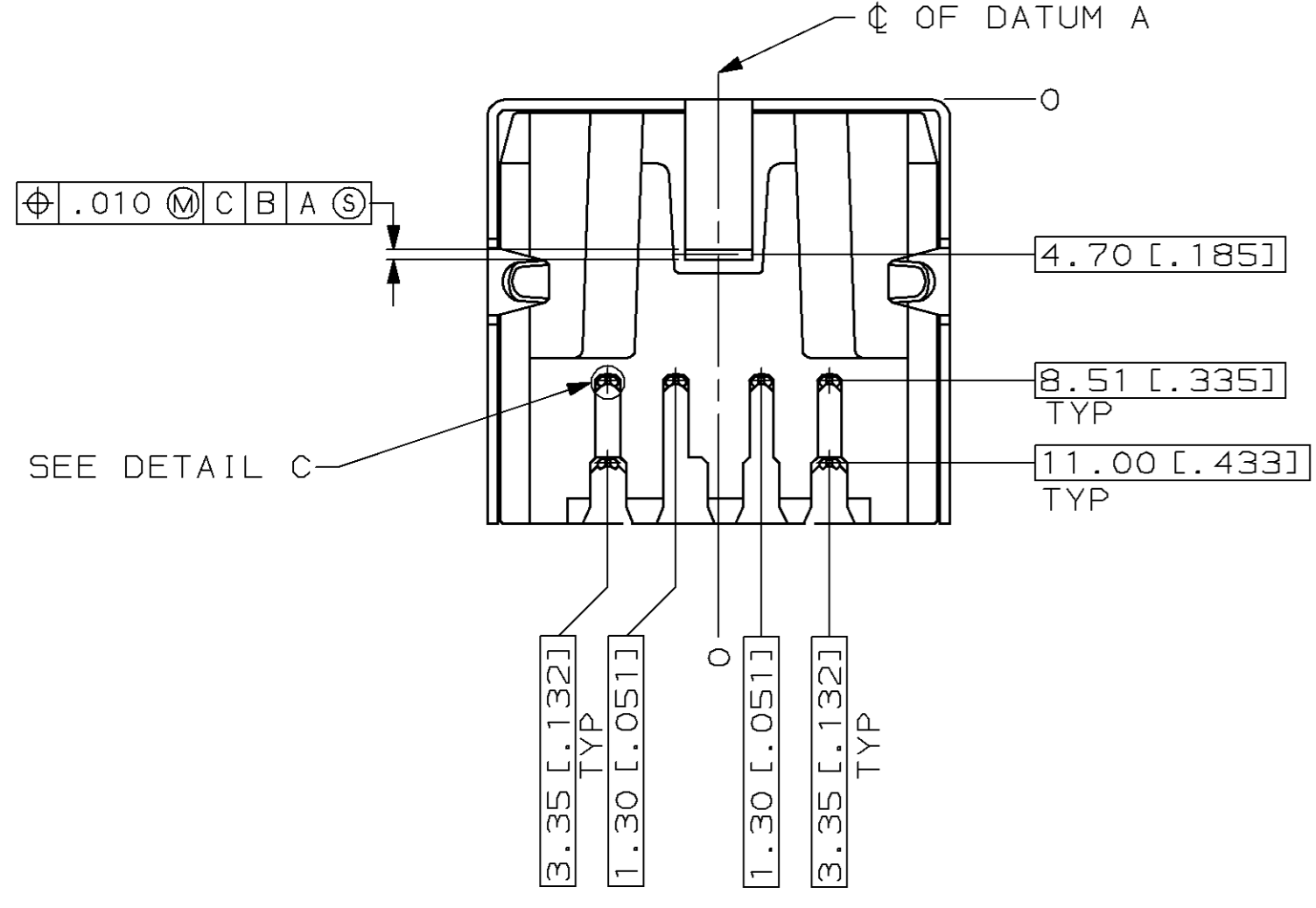


DETAIL D
6 PIN FACE

- 1 RECEPTACLE CONTACTS: COPPER ALLOY.
RECEPTACLE SHIELD: COPPER ALLOY.
HOUSING: THERMOPLASTIC, BLACK, UL 94V-0 RATED.
- 2 PLATING:
RECEPTACLE CONTACTS - GOLD PLATED .00076 MIN [0.00030 MIN] THICK
ON MATING END, TIN-LEAD PLATED .0030 MIN [0.00120 MIN] THICK
ON SOLDER TAIL ALL OVER .0013 MIN [0.00050 MIN] THICK NICKEL.
- 3 PLATING:
SHIELD: 1.50-4.00µm [0.00059-.000158] THICK BRIGHT TIN.
- 4 RECEPTACLE ASSEMBLY MATES WITH 6 PIN 9.00±.10 [0.354±.004] DIAMETER PLUG.
- 5 DATUMS AND BASIC DIMENSION SUPPLIED BY CUSTOMER.



6 PIN PCB LAYOUT
BOTTOM VIEW



DETAIL C
SCALE 50:1

OBSoLETE	1, 2, 3, 4	749180-2
	ALL	749180-1
	POSITIONS LOADED	PART NO

DO NOT SCALE PRINT. UNLESS SPECIFIED DIMENSIONS IN mm [INCHES] TOLERANCES ON: 2 PLC DEC ± - 3 PLC DEC ± 0.381 [0.015] ANGLES ± 0°30'		DR 1-24-89 P. COSMOS	AMP INCORPORATED Harrisburg, Pa. 17105	
MATERIAL		CHK 1-24-89 C. OHL		
FINISH		APPD 1-24-89 B.H. MOSSER	NAME	
1		APPD 1-24-89 E.C. MYERS	RECEPTACLE ASSY W/HOLD DOWN, 6 POS RIGHT ANGLE, MINIATURE CIRCULAR DIN	
2/3		PRODUCT SPEC 108-1225	SIZE	FSCM NO
		APPLICATION SPEC	D	00779
		WEIGHT	SCALE	DRAWING NO
			5:1	749180
				SHEET 1 OF 1