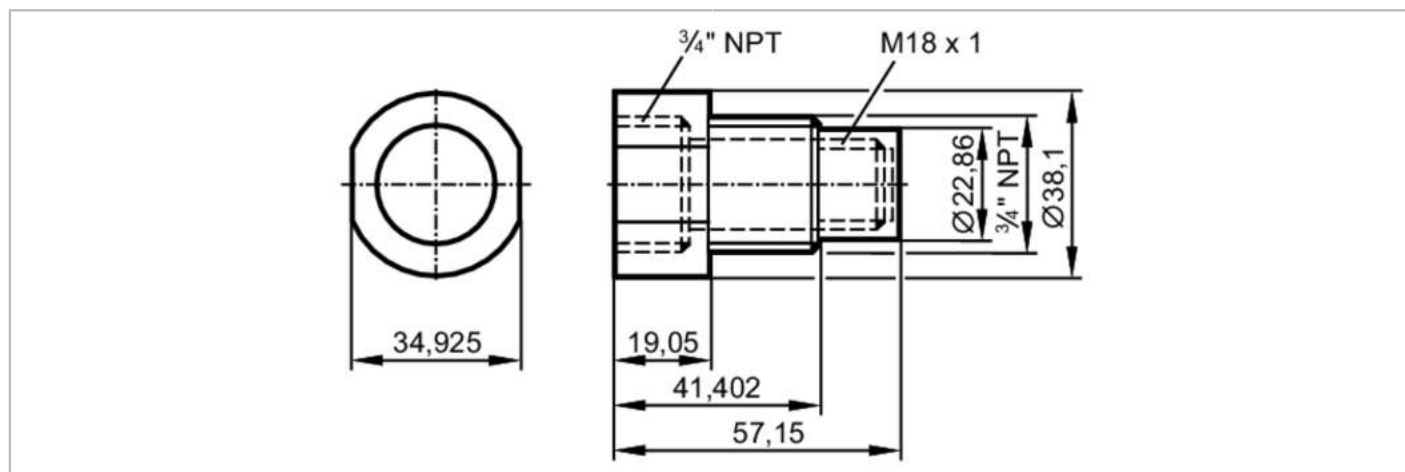


U10000



Mounting adapter for capacitive sensors

WELL, M18, 3/4" NPT, PTFE



Application	
Design	for types M18
Pressure rating [bar]	6.9
Operating conditions	
Ambient temperature [°C]	-25...246
Note on ambient temperature	-25...260 for short duration
Mechanical data	
Weight [g]	20
Material	PTFE
Process connection	3/4" NPT
Remarks	
Pack quantity	1 pcs.