

**Style**  
M8 Plug, shielded  
3 pin  
A-coding

**Ratings**  
Voltage: 60 V  
Current: 3 A

**Operating Temperature Range**  
-40~105 °C

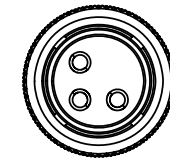
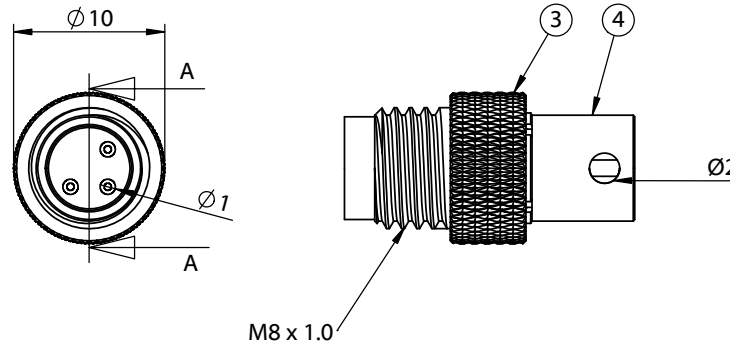
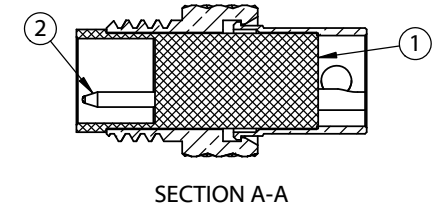
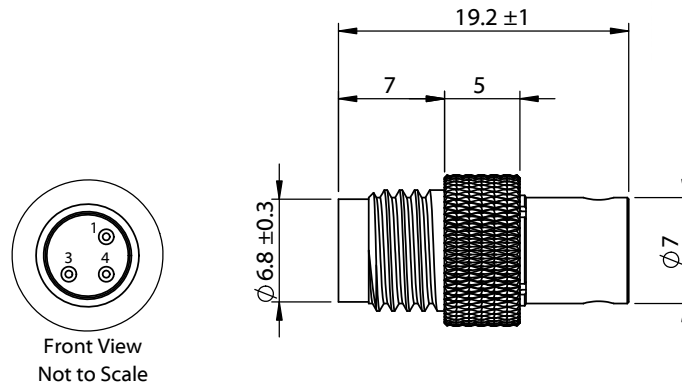
**Materials**  
① Insulator: PA66, UL94, HB, black  
② Pin: C3604 brass, gold flashing  
③ Nut: C3604 brass, nickel plated  
④ Shell: C3604 brass, nickel plated

**Electrical Requirements**  
Dielectric strength: 1 min @ 500 Vac  
Insulation resistance: 100 MΩ @ 500 Vdc  
Contact resistance: 10 mΩ or less

**Mechanical Requirements**  
Life cycle: 1000 mating cycles minimum

**Environmental Requirements**  
Salt spray test: 35 °C, relative humidity 90-95%, 5% NaCl mist for 24 hrs. Wash parts after test. Maintain mechanical requirements and a contact resistance of less than 10 mΩ.  
Waterproof: IP67

**Assembly Info**  
Wire gauge: 24 AWG max



Revision:	Date:	Description:	Prepared:	Notes:	<b>TENSILITY</b> tel 1.541.323.3228 800 877.670.7118 fax 1.541.323.4202 web tensility.com
A	8/20/21	Initial Release	JD <small>Digitally signed by JD Date: 2021.10.28 14:47:01 -07'00'</small>	RoHS compliant	
			Verified:	Function test: no open, no short circuit, no intermittent	Size: Part number:
			AG <small>Digitally signed by AG Date: 2021.10.28 14:47:01 -07'00'</small>	Description:	A 50-00679
			Dimensions are in millimeters. Tolerances: X: ± 0.3 mm X.X: ± 0.1 mm X.XX: ± 0.05 mm	Connector, 3 pin M8 plug, 8x19.2 mm, gold plated, molding style, solder cup, IP67, shielded	Scale: 2:1
					Sheet 1 of 1