

High Frequency Ceramic Solutions

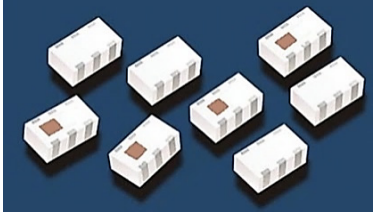
3700MHz (3.4-4GHz) 1:1 RF Balun EIA 0805, 6-Pin

P/N 3700BL15C0050

Detail Specification: 4/7/2016

Page 1 of 3

General Specifications

| | | | | | |
|-----------------------------------|---------------|--|--|--|---|
| Part Number | 3700BL15C0050 |  | | | |
| Frequency (MHz) | 3400 ~ 4000 | | | | |
| Unbalanced Impedance | 50 Ω | | | | |
| Differential Balanced Imp. | 50 Ω | | | | |
| Insertion Loss | 1.2 dB max. | | | | |
| Return Loss | 9.5 dB min. | | | | |
| Phase Difference (degree) | 180 ± 25 | | | | |
| Amplitude Difference | 2 dB max. | | | Operating Temperature | -40 to +85°C |
| Impedance | 50 / 50 Ω | | | Recommended Storage Conditions of unused product on T&R | +5 to +35°C, 18 mos. max. Humidity 45~75% RH |
| Power Capacity | 1W max. (CW) | | | | |
| Reel Quantity | 4,000 pcs | | | | |

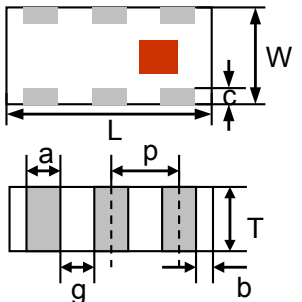
You can download measured s-parameters of this component at: <http://www.johansontechnology.com/rfbaluns>

Part Number Explanation

| | | | | |
|-------------------|--------------------------|--|---------------|----------------------------|
| P/N Suffix | Packing Style | Bulk | Suffix = S | Eg. 3700BL15C0050S |
| | | T & R | Suffix = E | Eg. 3700BL15C0050E |
| | Termination style | 100% Tin | Suffix = None | Eg. 3700BL15C0050 (E or S) |
| | Evaluation Board | 3700BL15C0050-EB3SMA (3 female SMA connectors) | | |

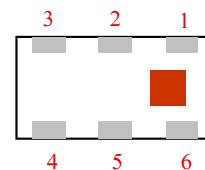
Mechanical Dimensions

| | In | mm |
|----------|--------------------|----------------|
| L | 0.079 ± 0.004 | 2.00 ± 0.10 |
| W | 0.049 ± 0.004 | 1.25 ± 0.10 |
| T | 0.033 ± 0.004 | 0.85 ± 0.10 |
| a | 0.012 ± 0.004 | 0.30 ± 0.10 |
| b | 0.008 ± 0.004 | 0.20 ± 0.10 |
| c | 0.012 +0.004/0.008 | 0.30 +0.1/-0.2 |
| g | 0.014 ± 0.004 | 0.35 ± 0.10 |
| p | 0.026 ± 0.002 | 0.65 ± 0.05 |



Terminal Configuration

| | | | |
|----------|-----------------|----------|---------------|
| 1 | Unbalanced Port | 4 | Balanced Port |
| 2 | GND or DC Feed | 5 | GND |
| 3 | Balanced Port | 6 | NC |



Johanson Technology, Inc. reserves the right to make design changes without notice.
All sales are subject to Johanson Technology, Inc. terms and conditions.



www.johansontechnology.com

4001 Calle Tecate • Camarillo, CA 93012, USA • TEL +1.805.389.1166

Ver 1.0

2014 Johanson Technology, Inc. All Rights Reserved

High Frequency Ceramic Solutions

3700MHz (3.4-4GHz) 1:1 RF Balun EIA 0805, 6-Pin

P/N 3700BL15C0050

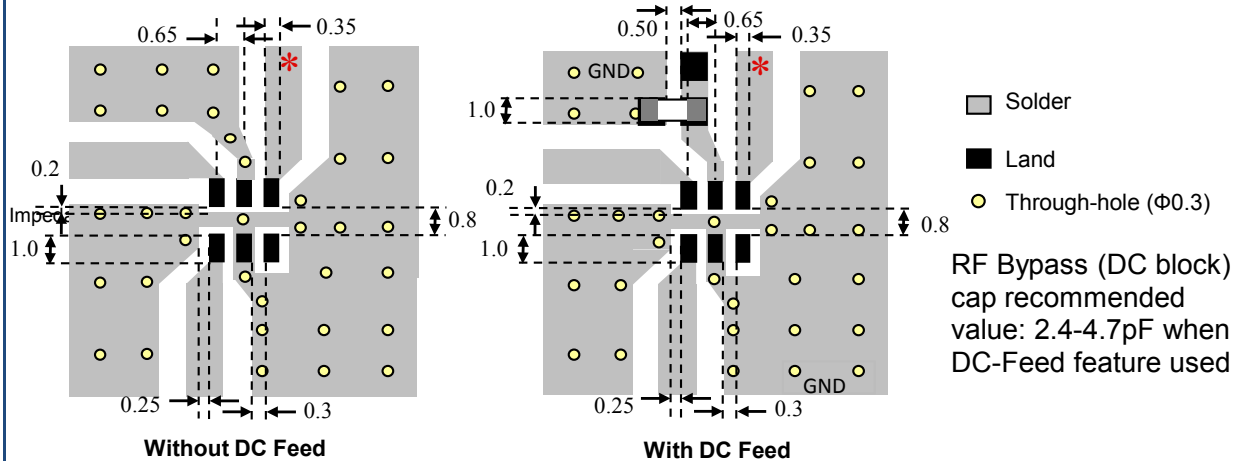
Detail Specification: 4/7/2016

Page 2 of 3

Mounting Considerations

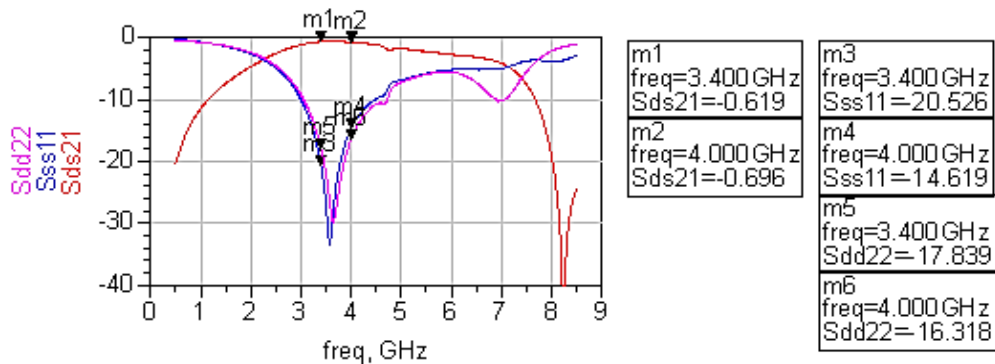
Mount these devices with colored mark facing up.

* Line width should be designed to provide 50ohm impedance matching characteristics.



Need our help laying this out for you? Need the layout file? Send us a message at: www.johansontechnology.com/component/techquestion

Typical Electrical Characteristics (T=25°C)



(Sds21) Insertion Loss / (Sss11) Return Loss SE / (Sdd22) Return Loss Differential

Johanson Technology, Inc. reserves the right to make design changes without notice.

All sales are subject to Johanson Technology, Inc. terms and conditions.



www.johansontechnology.com

4001 Calle Tecate • Camarillo, CA 93012, USA • TEL +1.805.389.1166

Ver 1.0

2014 Johanson Technology, Inc. All Rights Reserved

High Frequency Ceramic Solutions

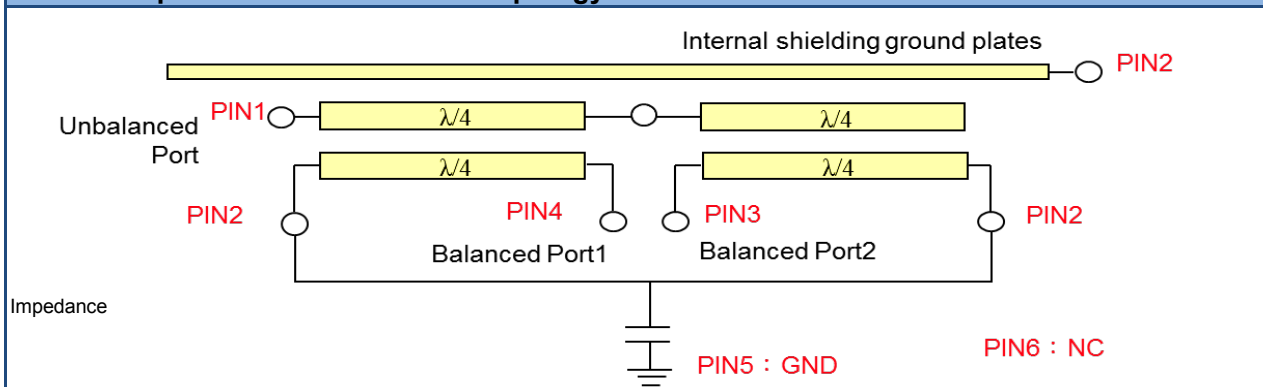
3700MHz (3.4-4GHz) 1:1 RF Balun EIA 0805, 6-Pin

P/N 3700BL15C0050

Detail Specification: 4/7/2016

Page 3 of 3

Internal Representative Schematic/Topology



More Filter-Balun info at:

<http://www.johansontechnology.com/rfbaluns>

Packaging information

www.johansontechnology.com/ipcpackaging.html

Soldering Information

www.johansontechnology.com/ipcsoldering-profile

MSL Info

www.johansontechnology.com/technical-notes/msl-rating.html

Recommended Storage Condition and Max Shelf Life

www.johansontechnology.com/ipcstorage-shelflife

RoHS Compliance

www.johansontechnology.com/technical-notes/rohs-compliance.html

Layout review services

<http://www.johansontechnology.com/component/techquestion>

Antenna layout review, tuning, and characterization services

www.johansontechnology.com/ipcantennaservices

Johanson Technology, Inc. reserves the right to make design changes without notice.

All sales are subject to Johanson Technology, Inc. terms and conditions.



www.johansontechnology.com

4001 Calle Tecate • Camarillo, CA 93012, USA • TEL +1.805.389.1166

Ver 1.0

2014 Johanson Technology, Inc. All Rights Reserved