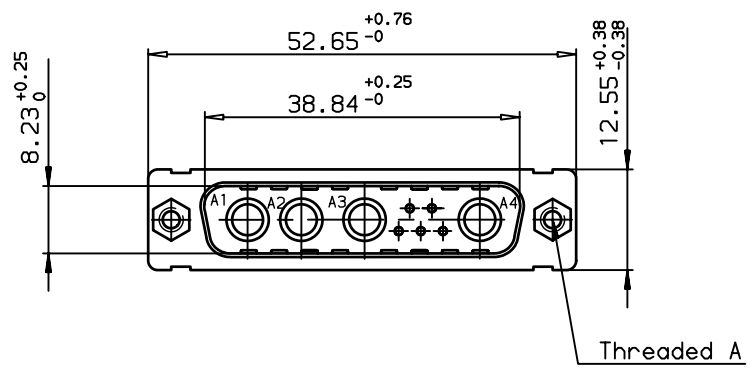
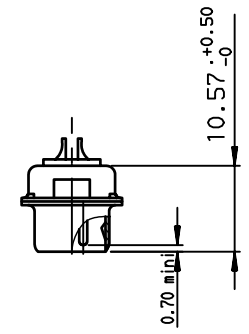
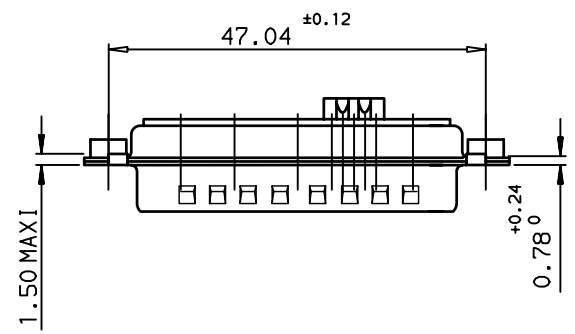


A



B



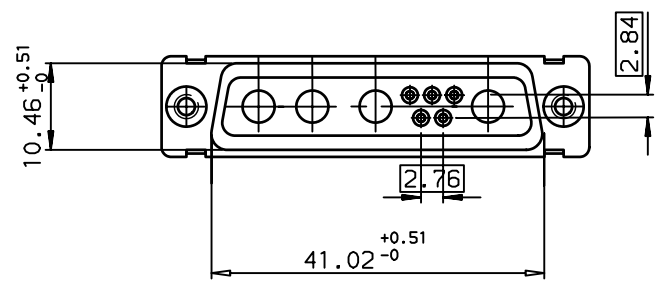
TIN LEAD PART NUMBER

DBL9W4PA00	M3
DB09W4PA00	UNC 4.40
PART NUMBER	Threaded A

LEAD FREE PART NUMBER

DBL9W4PA00LF	M3
DB09W4PA00LF	UNC 4.40
PART NUMBER	Threaded A

C



D

GENERAL CHARACTERISTICS AND ROHS INFORMATIONS:
 SEE DRAWING C01-8639-0003

European Views

www.fciconnect.com		surface ISO 1302 <input checked="" type="checkbox"/>	tolerance std ISO 406 ISO 1101	projection 	mm
TOLERANCES UNLESS OTHERWISE SPECIFIED					
Dr	JARRY	2001/01/23	0.X	±0.1	size
Eng	PESSON	2001/01/23	ANGULAR	0.XX	A3
Chr	LEGARE	2001/01/23	0.XX' ±2'	0.XXX	Scale
Appr	LEGARE	2001/01/23	Product family		1.5
				D-SUB	ECN LS06-0095
				Spec ref	-

rev	ecn no	dr	date
B	-	DEB	2003/10/01
C	LS05-005	MPE	2005/03/14
D	LS06-0095	LGO	2006/06/28
-	-	-	-
-	-	-	-
-	-	-	-

FCI title **PIN CONNECTOR FOR POWERS CONTACTS** dwg no **C01-8639-1829** Rev. **D**

catalog no - CUSTOMER sheet 1 of 1



Copyright FCI.