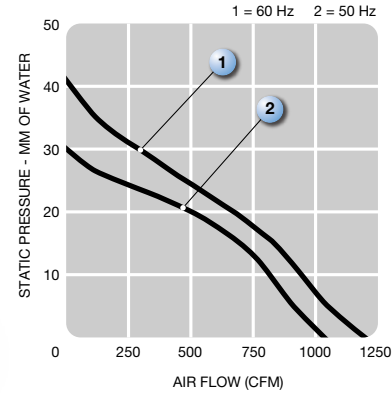
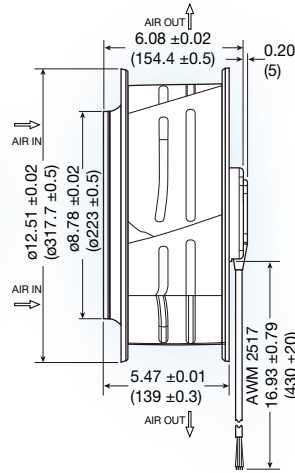
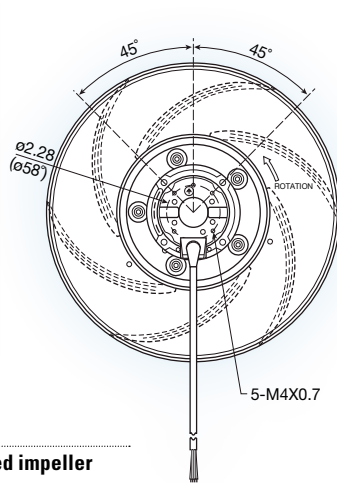


# UF318AAA series



**(318 dia. x 154 mm)**  
12.5 dia. x 6.08 inches

<b>Features:</b>	<b>backward curved impeller</b>
<b>Operating voltage:</b>	115 or 230 VAC
<b>Construction:</b>	aluminum die cast motor base, aluminum impeller
<b>Bearing option:</b>	ball bearing
<b>Motor:</b>	permanent split capacitor required capacitor included
<b>Air Flow:</b>	centrifugal
<b>Connection:</b>	AWM 2517 lead wires
<b>Protection:</b>	thermal
<b>Option:</b>	tachometer output

Model No.	Rated Voltage	Freq.	Input Power	Rated Cur.	Locked Cur.	Speed	Air Volume		Max. Static Pressure (H <sub>2</sub> O)		Sound Noise	Weight
							M <sup>3</sup> /Min.	CFM	MM	INCH		
<b>UF318AAA12-H1C4A</b>	115	50	115	1.00	2.60	1,390	28.8	1015	30	1.2	63	3.8
	115	60	160	1.43	2.40	1,580	33.0	1165	40	1.6	66	3.8
<b>UF318AAA23-H1C4A</b>	230	50	115	0.56	1.40	1,390	28.8	1015	30	1.2	63	3.8
	230	60	160	0.70	1.30	1,580	33.0	1165	40	1.6	66	3.8

