

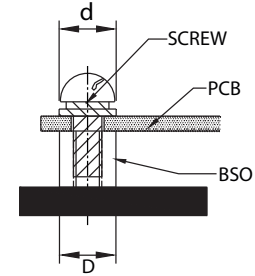
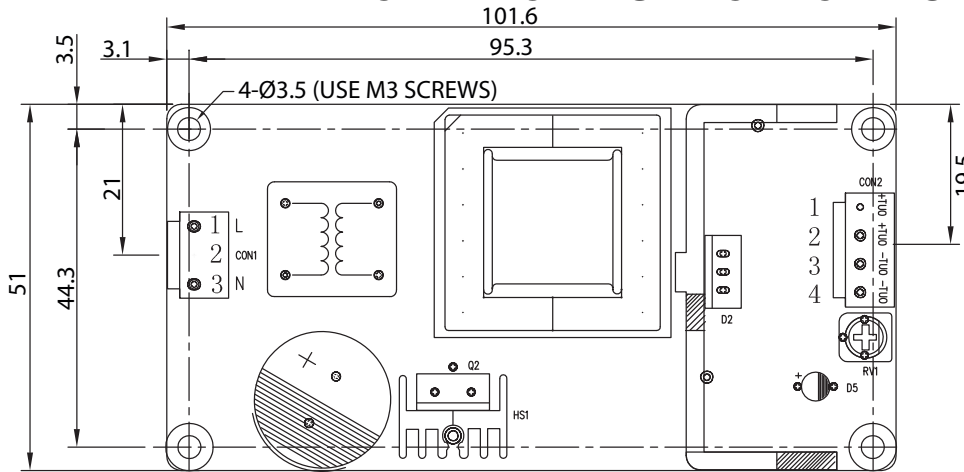
**Features:**

- Universal AC input/ Full range
- High Efficiency, Low Power Consumption
- Output Protections: OLP/OVP/SCP
- Wide operating ambient temperature (-10°C~60°C)
- No fan required, suitable for quiet environments
- All using 105°C long life electrolytic capacitors.
- 100% full load burn-in test

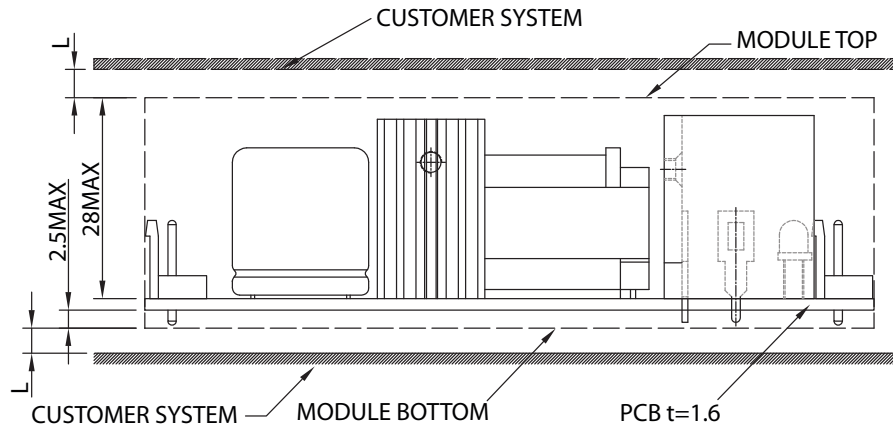


Model	QPS-45-5	QPS-45-12	QPS-45-24	QPS-45-48
Output Characteristics				
DC Output	5V	12V	24V	48V
Rated Current	8.0A	3.7A	1.9A	1.0A
Current Range (Note 1)	0~8.0A	0~3.7A	0~1.9A	0~1.0A
Ripple and Noise (Note 2)	0~60°C	≤80mV	≤120mV	≤120mV
	-10~0°C	≤200mV	≤200mV	≤200mV
Voltage ADJ. Range	-5% ~ +10% of rated output voltage			
Voltage Accuracy	±3.0%			
Line Regulation	±1.0%			
Load Regulation	±3.0%			
Set-up Time	≤0.8s (230VAC input, full load)			
Hold-up Time	≥60ms (230VAC input, full load)			
Temperature Coefficient	±0.05%/°C			
Overshoot and Undershoot	<5.0%			
Input Characteristics				
Voltage Range	90VAC~264VAC			
Frequency Range	47Hz~63Hz			
Efficiency (Typical) 220VAC Input	80%	82%	85%	86%
AC Current (max)	<1.0A (115VAC) <0.6A (230VAC)			
Inrush Current (Typical)	<25A@115VAC Cold start <45A@230VAC Cold start			
Leakage Current	Input-Output: <0.25mA Input-PG: <3.5mA			
Protection				
Over Load (OLP)	8.4A~14.0A	3.9A~6.2A	2.0A~3.2A	1.1A~1.56A
	Protection Type: Hiccup mode, auto recovery			
Over Voltage (OVP)	5.25V~7.5V	13.8V~16.2V	27.6V~32.4V	55.2V~64.8V
	Protection Type: Constant Voltage, auto recovery			
Short Circuit (SCP)	Long-term mode, auto recovery			
Environmental Characteristics				
Operating Amb. Temp. & Hum	-10°C~60°C; 20%~90% RH Non-Condensing			
Storage Temp. & Hum	-25°C~85°C; 10%~95% RH Non-Condensing			
Safety Standards	GB4943; EN60950-1: 2006			
Withstand Voltage	Primary-Secondary: 3.0KVAC;≤10mA. Primary-PG: 1.5KVAC;≤10mA. Secondary-PG: 0.5KVDC;≤10mA			
Isolation Resistance	≥100M ohms			
EMI Conduction & Radiation	Compliance to EN55022 (CISPR22) Class B			
EMS Immunity	Compliance to EN61000-4-2, 3, 4, 5, 6, 8, 11; ENV50204, light industry level, criteria A			
General Characteristics				
MTBF (MIL-HDBK-217F)	More than 200,000Hrs (25°C, Full load)			
Dimension (LxWxH)	101.6x51x28mm			
Packing	60PCS/CTN. G.W: 11.0kgs			
Cooling Method	Cooling by free air convection			
Note	1. All parameters NOT specially mentioned are measured at rated input, rated load, and 25°C of ambient temperature 2. Measured at 20MHz of bandwidth by using a 12" Twisted pair wire terminated with a 0.1uF & 47uF parallel capacitor 3. The SPS is considered a component which will be installed into final equipment. The equipment must be re-confirmed that it still meets EMC directives.			

MECHANICAL SPECIFICATIONS



PLEASE USE M3 SCREWS
WASHER $d \leq 7\text{mm}$ AND $D \leq 7\text{mm}$

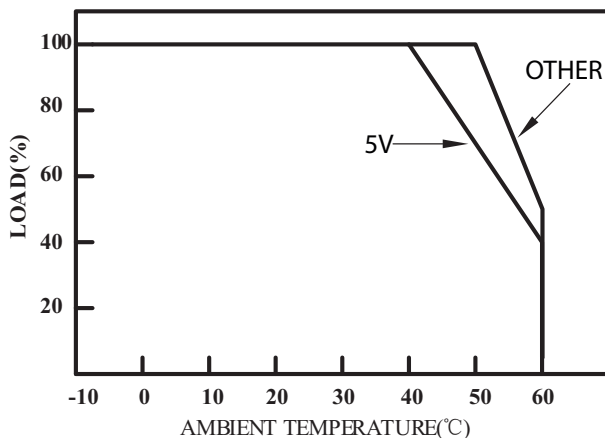


THE DISTANCE BETWEEN CUSTOMER PLATE AND TOP OF THE POWER SUPPLY
 $L \geq 4\text{mm}$; IF $L \leq 4\text{mm}$, ISOLATION FILM OR MYLAR WILL BE NEEDED

INSTALLATION SCREW TORQUE: $\leq 6.0\text{Kg.cm}$

ITEM	CONNECTOR	MATING HOUSING	TERMINAL
AC IN (CON1)	LANDWIN 3961P0300T (CENTER PIN REMOVED)	LANDWIN 3960S OR JST VHR	LANDWIN 3963T011R OR JST SVH-21T-P1.1
DC OUT (CON2)	LANDWIN 3961P0800T	OR MOLEX 51144	OR MOLEX 50539

DERATING CURVE



AC CONNECTION

CON1	Pin No.	Assignment	Specs PITCH 3.96/3 TERMINALS PIN, FLAT BASE, REMOVED MIDDLE
	1	AC-L	
	2	AC-N	
3			

DC CONNECTION

CON2	Pin No.	Assignment	Specs PITCH 3.96/3 TERMINALS PIN, FLAT BASE
	1,2	DC output +V	
3,4	DC output -V		

UNIT: mm