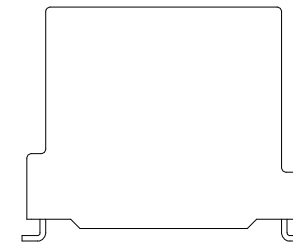
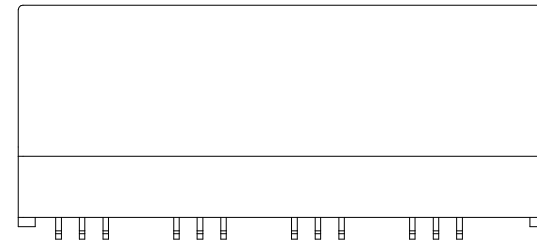
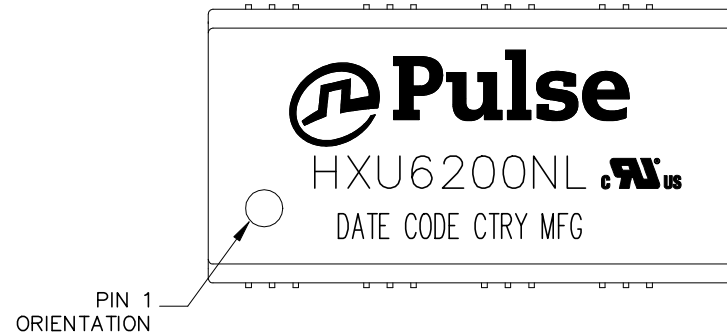




NOTES:

1. ROHS COMPLIANT
2. HEADER: DAP (DIALLYL PHTHALATE) WITH FLAMMABILITY RATING UL 94V-0 OR BETTER.
3. OPERATION TEMPERATURE: -40°C TO +85°C
STORAGE TEMPERATURE: -50°C TO +125°C
4. COMPLIANCE TO J-STD:
 - A. J-STD-002: SOLDERABILITY AT 245°C REFLOW PROFILE
 - B. J-STD-020: LEVEL 1, NO MOISTURE SENSITIVE
 - C. J-STD-075: R7, 245°C MAXIMUM THROUGH REFLOW SOLDER
5. TO ORDER TAPE & REEL PACKAGING ADD A "T" SUFFIX TO THE PART NUMBER(i.e HXU6200NL BECOMES HXU6200NLT).
6. CERTIFIED UL60601-1 FILE # E133523
INSULATION CLASS REINFORCED
MEANS OF PATIENT PROTECTION 2MOOP
CTI=IIIb, WORKING VOLTAGE =250Vrms/354Vpk
CREEPAGE >4.6mm
CLEARANCE >4.6mm

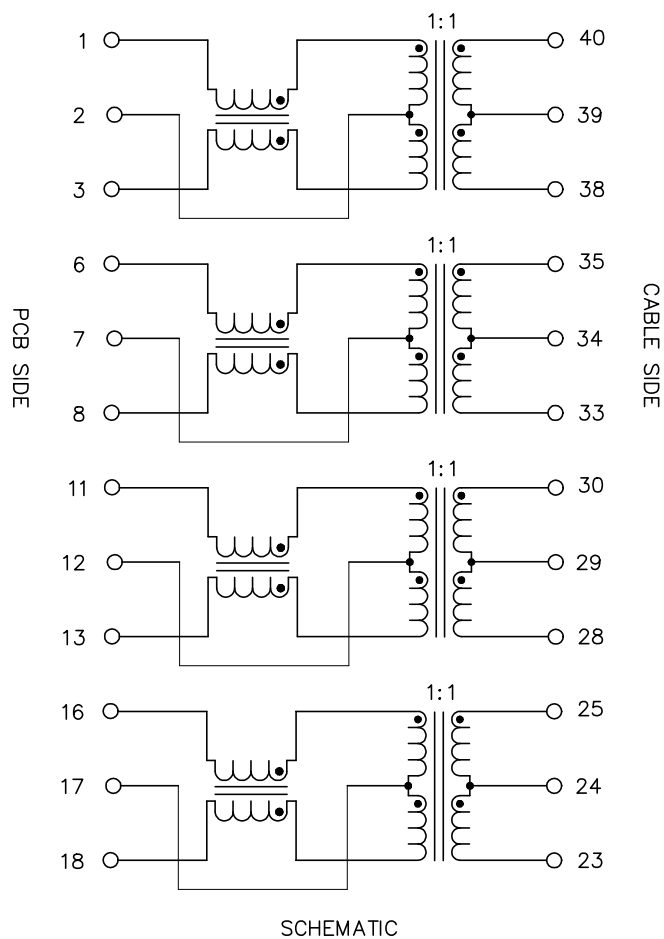
PACKING SPECIFICATION REEL
SIZE: 330mm TAPE
WIDTH: 44.0mm POCKET
PITCH: 24.0mm
COMPONENTS PER REEL: 150



FINAL OUTLINE

© Copyright, 2019. Pulse Electronics Corp. All rights reserved. Pulse confidential & proprietary. (06/05/19)

PRODUCT DESCRIPTION	TLA DRAWING	PS DRAWING	SHEET	PART NO.	DATASHEET REV.
MDL,SIN,1GPP,1:1,SM,TU	HXU6200NL-11	PS-01096.001-A	1 OF 4	HXU6200NL	J

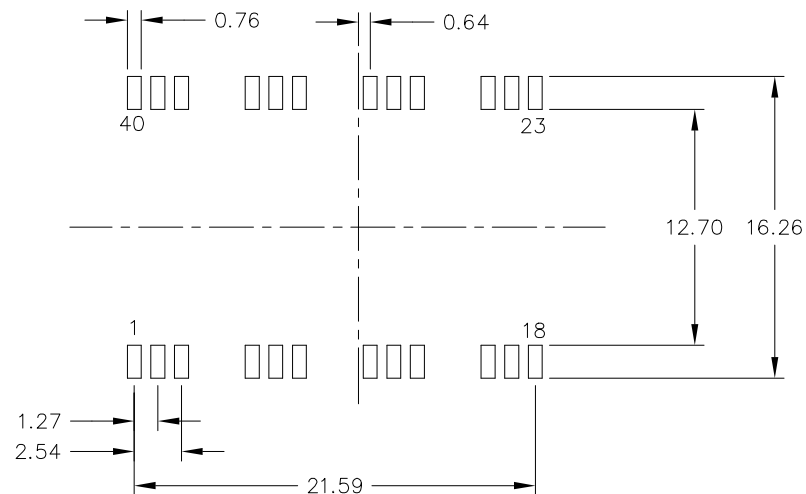
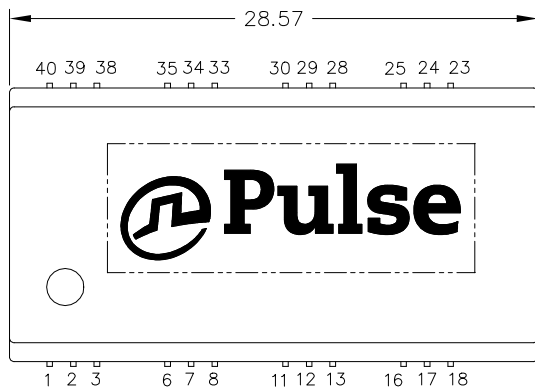


ELECTRICAL CHARACTERISTICS AT +25°C UNLESS OTHERWISE SPECIFIED
(FOR REFERENCE ONLY. USED FOR CUSTOMER INFORMATION.)

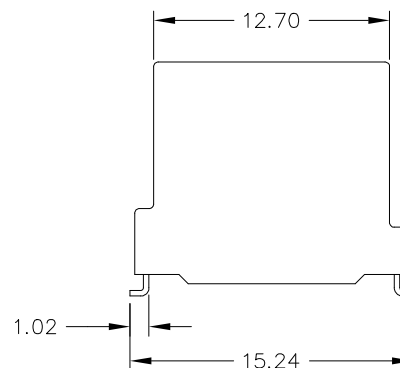
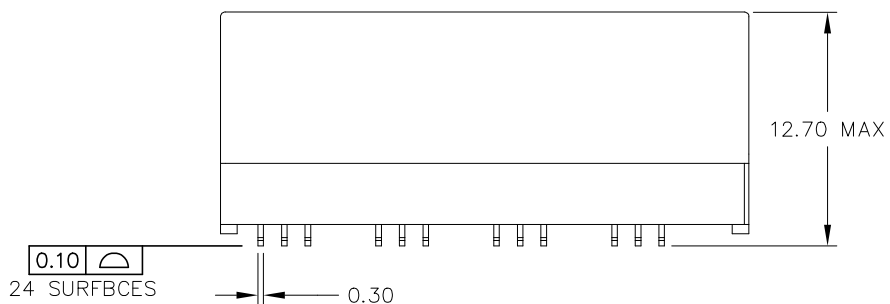
PARAMETER	SPECIFICATIONS					
TURNS RATIO	1 : 1 ±2%					
POLARITY	PER SCHEMATIC					
OCL, TRANSMIT CHANNEL	350 uH MIN. AT 100KHz, 0.1VRMS WITH 8mA DC BIAS					
INSERTION LOSS	0.1–30 MHz		60 MHz	80 MHz	100 MHz	
	–0.6 dB MAX		–1.1 dB MAX	–1.6 dB MAX	–2.5 dB MAX	
RETURN LOSS (Z OUT = 100 OHM ±15%)	5 MHz	30 MHz	50 MHz	60 MHz	80 MHz	100 MHz
	–18 dB MIN	–11 dB MIN	–8 dB MIN	–7 dB MIN	–4 dB MIN	–3 dB MIN
CROSSTALK (TX–RX)	1 MHz		30 MHz	60 MHz	100 MHz	
	–45 dB MIN		–30 dB MIN	–27 dB MIN	–25 dB MIN	
DIFFERENTIAL TO COMMON MODE REJECTION	30 MHz		60 MHz	100 MHz	200 MHz	
	–36 dB MIN		–32 dB MIN	–30 dB MIN	–25 dB MIN	
DC CORRENT/ VOLTAGE RATING	TOTAL 700 mA MAX @ 57 V (CONTINUOUS) 350 mA MAX/PAIR @ 57 V (CONTINUOUS)					
INPUT – OUTPUT ISOLATION	3000 VRMS FOR 1 MINUTE					

© Copyright, 2019. Pulse Electronics Corp. All rights reserved. Pulse confidential & proprietary. (06/05/19)

PRODUCT DESCRIPTION	TLA DRAWING	PS DRAWING	SHEET	PART NO.	DATASHEET REV.
MDL,SIN,1GPP,1:1,SM,TU	HXU6200NL-11	PS-01096.001-A	2 OF 4	HXU6200NL	J



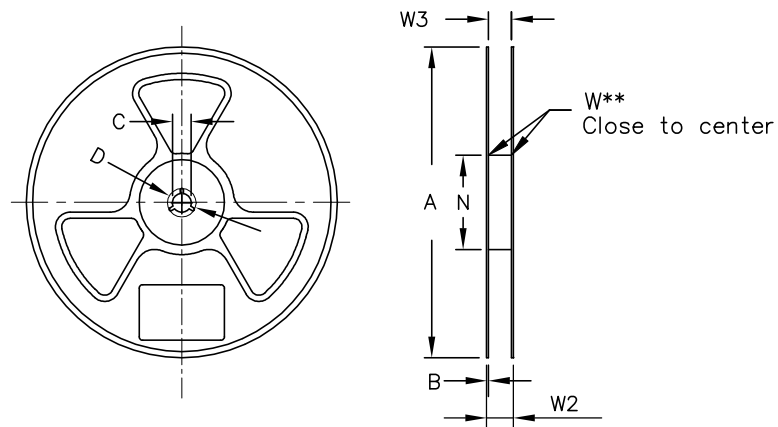
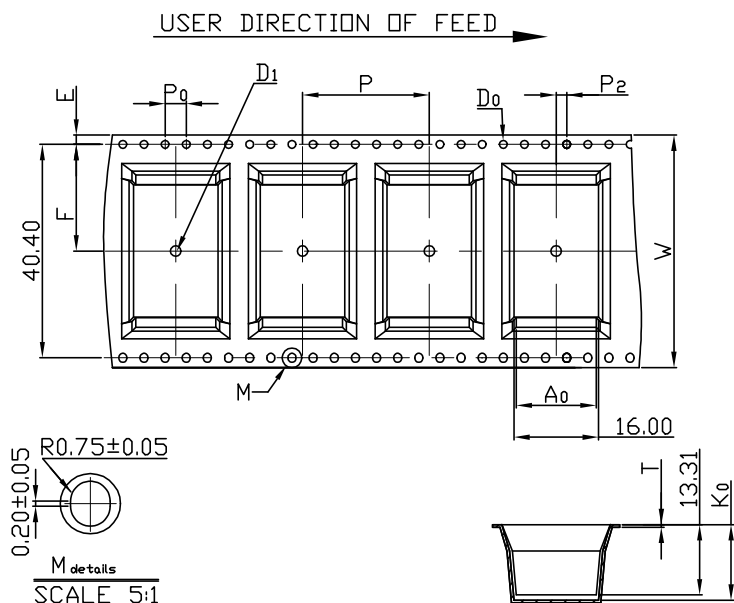
SUGGESTED PAD LAYOUT



DIMENSIONS ARE IN MM WITH THE FOLLOWING
TOLERANCES:
X.X= ±0.25
X.XX= ±0.15

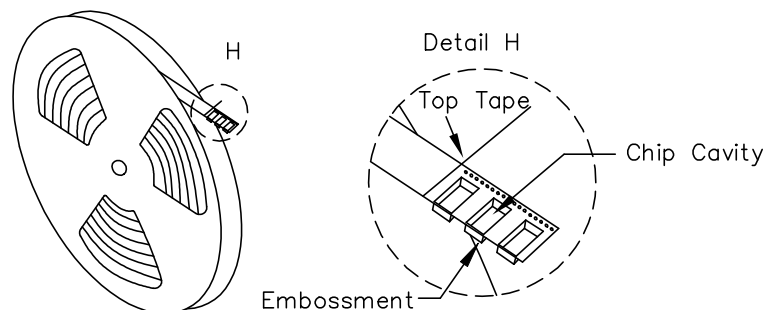
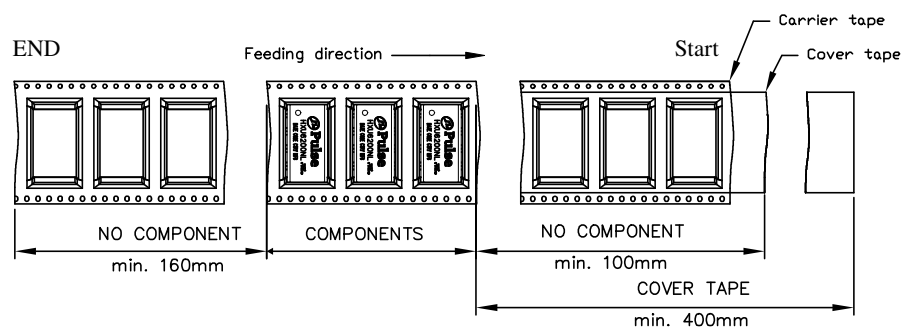
© Copyright, 2019. Pulse Electronics Corp. All rights reserved. Pulse confidential & proprietary. (06/05/19)

PRODUCT DESCRIPTION	TLA DRAWING	PS DRAWING	SHEET	PART NO.	DATASHEET REV.
MDL,SIN,1GPP,1:1,SM,TU	HXU6200NL-11	PS-01096.001-A	3 OF 4	HXU6200NL	J



	A	B	C	D	N	W1	W2	W3	W3
Tolerance		min.	±0.8	min.	min.	+2.0	max.	min.	max.
Tape width mm	330.00	1.50	13.00	20.20	100.00	44.4	50.4	44.8	46.78

ITEM	W	A ₀	B ₀	K ₀	K ₁	P	F	E	D ₀	D ₁	P ₀	P ₂	T
DIM	44.0 ±0.30	15.13 ±0.10	28.85 ±0.10	4.31 ±0.10		24.0 ±0.10	20.2 ±0.10	1.75 ±0.10	1.50 ±0.10	2.0 ±0.10	4.00 ±0.10	2.00 ±0.10	0.50 ±0.05



DIMENSIONS ARE IN MM WITH THE FOLLOWING

TOLERANCES:

X.XX= ±0.10

© Copyright, 2019, Pulse Electronics Corp. All rights reserved. Pulse confidential & proprietary. (06/05/19)

PRODUCT DESCRIPTION	TLA DRAWING	PS DRAWING	SHEET	PART NO.	DATASHEET REV.
MDL,SIN,1GPP,1:1,SM,TU	HXU6200NL-11	PS-01096.001-A	4 OF 4	HXU6200NL	J