

GlobTek, Inc. www.globtek.com 186 Veterans Drive, Northvale, NJ 07647 Tel. (201) 784-1000 Fax (201) 784-0111	Drawing Title: GT-81085-1513.5-1.5-W2, ICT/ITE Power Supply, Efficiency Level: V, Case Color/Style: GlobTek Black, Wall Plug-in, Regulated Switchmode AC-DC Power Supply AC Adaptor, Input Rating: 100-240V , 50/60Hz, N. America NEMA 1-15 Fixed , Output Rating: 15W, 12.0V@1.25A, Output Configuration: 1830 mm, 18/1C + Shield Cond, UL 1185, Female Barrel 5.5*2.5*11mm, Right Angle w/ Spring Clip & Locking Notch or Equal, Ferrite: None, GlobTek Black, GT Cord # C0929, Pin Out: Center Positive (+V), symbol compliant with IEC 60417 symbol no. 5926, Blades/Input Cord: Not Applicable, Approvals: RoHS; WEEE; China RoHS; Double Insulation; CB 60950; Level V; EC; cULus; IP41; LPS 60950; PSE; Designed to meet EN 60601-1; Level 3;	
	Model No. GT-81085-1513.5-1.5-W2	
	Part No./Ordering No. WR9HE1250LRFRVBG2632	Rev B

In Addition to GlobTek Inc.'s renewed ISO9001:2015 - Quality Management System Certification, GlobTek Inc. is now certified to:

ISO13485:2016 - Medical Devices Quality Management System Certification
ISO14001:2015 - Environmental Management System Certification

ISO Certificates are available online at <https://www.globtek.com/iso-certificates/>

The acceptance of this specification and use of the product described in this document indicates the acceptance and binding of the customer to Globtek TERMS AND CONDITIONS (attached to the end of this document), which supersede all other agreements, terms, and conditions (<https://en.globtek.com/terms-and-conditions/>).

The purchaser of this product (Customer) agrees that it is their sole responsibility to determine suitability/fitness of the product described in this specification for their application and to take precautions for protection against any hazards attendant to the handling and use of the product.

Footnote:

GlobTek Inc. will not be liable for the safety and performance of these power supplies/battery packs if unauthorized access and repair occurs. End user should consult applicable UL, CSA or EN standards for proper installation instruction.

Limitation of Use:

GlobTek products are intended for use with commercial, medical, and/or industrial equipment only. GlobTek product are not authorized for use as mission critical components in life support hazardous environment, nuclear or aircraft applications without prior written approval from the CEO of GlobTek Inc.

Contents of this document are subject to change without prior notice.

Customer Approval of Specification:

Please approve, sign and send back to GlobTek so we can complete order processing.
A delay in receipt of this form will delay delivery schedule.

Company Name: _____	Customer P/N: _____
Quote Number: _____	Date: _____
Authorized Representative Name: _____	Authorized Representative Signature: _____

GlobTek, Inc. www.globtek.com 186 Veterans Drive, Northvale, NJ 07647 Tel. (201) 784-1000 Fax (201) 784-0111	Drawing Title: GT-81085-1513.5-1.5-W2, ICT/ITE Power Supply, Efficiency Level: V, Case Color/Style: GlobTek Black, Wall Plug-in, Regulated Switchmode AC-DC Power Supply AC Adaptor, Input Rating: 100-240V- , 50/60Hz, N. America NEMA 1-15 Fixed , Output Rating: 15W, 12.0V@1.25A, Output Configuration: 1830 mm, 18/1C + Shield Cond, UL 1185, Female Barrel 5.5*2.5*11mm, Right Angle w/ Spring Clip & Locking Notch or Equal, Ferrite: None, GlobTek Black, GT Cord # C0929, Pin Out: Center Positive (+V), symbol compliant with IEC 60417 symbol no. 5926, Blades/Input Cord: Not Applicable, Approvals: RoHS; WEEE; China RoHS; Double Insulation; CB 60950; Level V; EC; cULus; IP41; LPS 60950; PSE; Designed to meet EN 60601-1; Level 3;	
	Model No. GT-81085-1513.5-1.5-W2	
	Part No./Ordering No. WR9HE1250LRFRVBG2632	Rev B

REVISION HISTORY

REV	DESCRIPTION	SUB	DATE	APPROVED
B	Update to SF format, revise label	QA	04/01/2014	QA

POWER SUPPLY INFORMATION

TYPE	Wall Plug-in
TECHNOLOGY	Regulated Switchmode AC-DC Power Supply AC Adaptor
CASE COLOR	GlobTek Black
NAMEPLATE RATED INPUT	100-240V- , 50/60Hz, 0.5A
INPUT CONFIG	N. America NEMA 1-15 Fixed
WATTS	15.00
VOLTS OUT	12.0
CURRENT OUT (Amps)	1.25
BLADE/CORD INCLUDED	N/A Not Applicable
BLADE/CORD INSTALLED	FBNA2 :Fixed Blades North American 1-15P
INGRESS PROTECTION	IP41
GROUNDING CONFIGURATION	
EFFICIENCY LEVEL	V
OUTPUT CONFIGURATION	1830 mm, 18/1C + Shield Cond, UL 1185, Female Barrel 5.5*2.5*11mm, Right Angle w/ Spring Clip & Locking Notch or Equal, Ferrite: None, GlobTek Black, GT Cord # C0929
CONNECTOR PIN OUT	Center Positive (+V), symbol compliant with IEC 60417 symbol no. 5926
LABEL SPECS	WR9HE1250LRFRVBG2632,L-1357
SPECIAL BARCODE LABEL MATERIAL	No
PACK SPEC	Standard WPI Q-NA installed, Individually Box
USER MANUAL	

PROPRIETARY INFORMATION

PROPRIETARY OF GLOBTEK, INC. ANY REPRODUCTION, DISCLOSURE OR USE OF THIS DRAWING, IN WHOLE OR IN PART, IS HEREBY PROHIBITED EXCEPT AS SPECIFIED IN WRITING BY GLOBTEK, INC. © GlobTek, Inc. 2013 - 2023

<p>GlobTek, Inc. www.globtek.com 186 Veterans Drive, Northvale, NJ 07647 Tel. (201) 784-1000 Fax (201) 784-0111</p>	<p>Drawing Title: GT-81085-1513.5-1.5-W2, ICT/ITE Power Supply, Efficiency Level: V, Case Color/Style: GlobTek Black, Wall Plug-in, Regulated Switchmode AC-DC Power Supply AC Adaptor, Input Rating: 100-240V , 50/60Hz, N. America NEMA 1-15 Fixed , Output Rating: 15W, 12.0V@1.25A, Output Configuration: 1830 mm, 18/1C + Shield Cond, UL 1185, Female Barrel 5.5*2.5*11mm, Right Angle w/ Spring Clip & Locking Notch or Equal, Ferrite: None, GlobTek Black, GT Cord # C0929, Pin Out: Center Positive (+V), symbol compliant with IEC 60417 symbol no. 5926, Blades/Input Cord: Not Applicable, Approvals: RoHS; WEEE; China RoHS; Double Insulation; CB 60950; Level V; EC; cULus; IP41; LPS 60950; PSE; Designed to meet EN 60601-1; Level 3;</p>
	<p>Model No. GT-81085-1513.5-1.5-W2</p>
	<p>Part No./Ordering No. WR9HE1250LRFRVBG2632</p>
	<p>Rev B</p>

Notes/Modifications/Customizations (notes in this section supersede the values shown in the standard spec)

DIMENSIONS ARE IN MM UNLESS SPECIFIED OTHERWISE

GlobTek, Inc. www.globtek.com 186 Veterans Drive, Northvale, NJ 07647 Tel. (201) 784-1000 Fax (201) 784-0111	Drawing Title: GT-81085-1513.5-1.5-W2, ICT/ITE Power Supply, Efficiency Level: V, Case Color/Style: GlobTek Black, Wall Plug-in, Regulated Switchmode AC-DC Power Supply AC Adaptor, Input Rating: 100-240V , 50/60Hz, N. America NEMA 1-15 Fixed , Output Rating: 15W, 12.0V@1.25A, Output Configuration: 1830 mm, 18/1C + Shield Cond, UL 1185, Female Barrel 5.5*2.5*11mm, Right Angle w/ Spring Clip & Locking Notch or Equal, Ferrite: None, GlobTek Black, GT Cord # C0929, Pin Out: Center Positive (+V), symbol compliant with IEC 60417 symbol no. 5926, Blades/Input Cord: Not Applicable, Approvals: RoHS; WEEE; China RoHS; Double Insulation; CB 60950; Level V; EC; cULus; IP41; LPS 60950; PSE; Designed to meet EN 60601-1; Level 3;	
	Model No. GT-81085-1513.5-1.5-W2	
	Part No./Ordering No. WR9HE1250LRFRVBG2632	Rev B

ELECTRICAL SPECIFICATIONS

A) ELECTRICAL SPECIFICATIONS:

01. Input Voltage: Specified 90-264 Vac, Nameplate rated: 100-240Vac
02. Input Frequency: Specified 47-63 Hz, Nameplate rated 50-60Hz
03. Output Regulation: +/- 5% measured at the output connector
04. Line Voltage Regulation: +/- 2% typical measured at full load
05. Output Ripple (Vp-p): +/-1% or 120 mV whichever is greater, measured at 20 MHz bandwidth with 0.1 uf ceramic capacitor in parallel with 10 uf electrolytic capacitor connected at the end of the output connector at nominal line
06. Turn-ON/OFF Overshoot: 5% maximum, 1 mS typical recovery time for 25% to 50% step load
07. Turn-ON Delay: 1 Sec, typical @ full load, nominal line
08. Hold-Up Time: 5 mS typical @ nominal input voltage and full load
09. Switching Frequency: 50 KHz typical

B) PROTECTION

01. Over-Voltage: Electronically Protected unit will auto recover upon removal of fault
02. Short Circuit: Electronically Protected unit will auto recover upon removal of fault
03. Input Protection: Input line fusing

C) SAFETY

01. Dielectric Withstand Voltage: 4242Vdc from primary to secondary
02. Touch Current: <0.25mA @ 240Vac input voltage

D) OTHER:

01. MTBF: 200,000 Hours @ 25°C ambient temperature
02. Operating Temperature: 0°C to 40°C ambient temperature
03. Humidity: 0% to 90% relative humidity
04. Storage Temperature: -10°C to 80°C
05. Cooling: Convection
06. Ingress Protection: IP41
07. ROHS 2: Complies with EU 2011/65/EU and China SJ/T 11363-2006

E) ENCLOSURE

01. Housing: High impact plastic, 94V0 polycarbonate, non-vented
02. Size: 69.0*28.8*45.0 +/-1.0 mm
03. Markings: Label and/or Pad Printed and/or Molded in the case

TO ADDRESS SYSTEM-LEVEL EMI CONCERNS, FERRITE CHOKES/BEADS MAY BE ADDED/REVISED UPON REQUEST. A SAMPLE KIT OF GLOBTEK'S STANDARD FERRITES IS AVAILABLE UNDER GLOBTEK P/N: EMI-MITIGATION-KIT1

FOR ADDITIONAL INFORMATION, PLEASE READ OUR WHITE PAPER AT: <https://r.globtek.info/3QeaqtD>

INGRESS PROTECTION: IP41

PROPRIETARY INFORMATION

PROPRIETARY OF GLOBTEK, INC. ANY REPRODUCTION, DISCLOSURE OR USE OF THIS DRAWING, IN WHOLE OR IN PART, IS HEREBY PROHIBITED EXCEPT AS SPECIFIED IN WRITING BY GLOBTEK, INC. © GlobTek, Inc. 2013 - 2023

quest / 08/01/2023 12:08:32 AM GMT

GlobTek, Inc.
 www.globtek.com
 186 Veterans Drive,
 Northvale, NJ 07647
 Tel. (201) 784-1000
 Fax (201) 784-0111

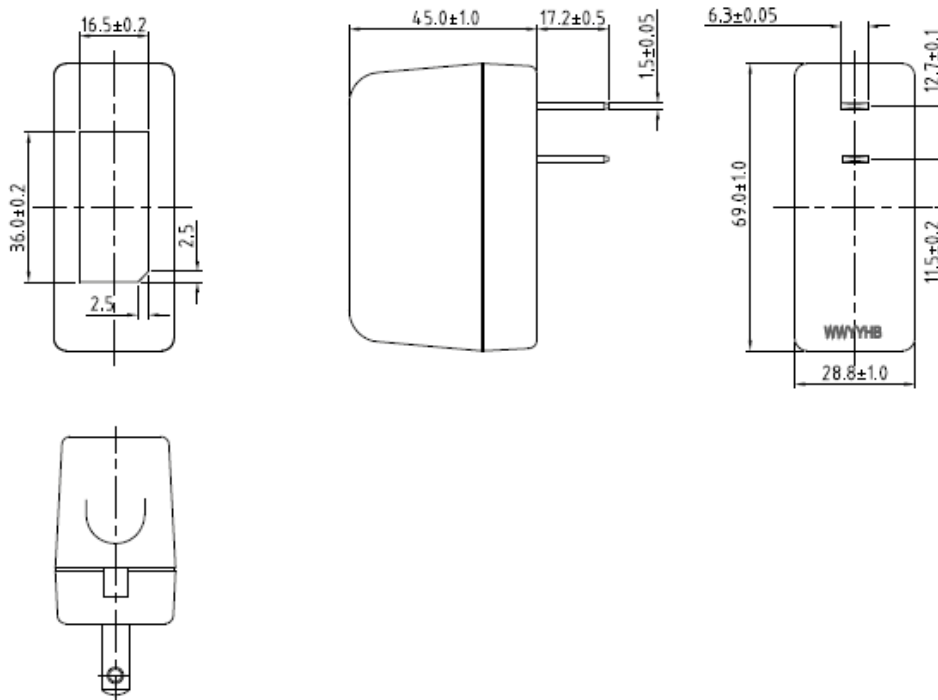
Drawing Title: GT-81085-1513.5-1.5-W2, ICT/ITE Power Supply, Efficiency Level: V, Case Color/Style: GlobTek Black, Wall Plug-in, Regulated Switchmode AC-DC Power Supply AC Adaptor, Input Rating: 100-240V , 50/60Hz, N. America NEMA 1-15 Fixed , Output Rating: 15W, 12.0V@1.25A, Output Configuration: 1830 mm, 18/1C + Shield Cond, UL 1185, Female Barrel 5.5*2.5*11mm, Right Angle w/ Spring Clip & Locking Notch or Equal, Ferrite: None, GlobTek Black, GT Cord # C0929, Pin Out: Center Positive (+V), symbol compliant with IEC 60417 symbol no. 5926, Blades/Input Cord: Not Applicable, Approvals: RoHS; WEEE; China RoHS; Double Insulation; CB 60950; Level V; EC; cULus; IP41; LPS 60950; PSE; Designed to meet EN 60601-1; Level 3;

Model No. GT-81085-1513.5-1.5-W2

Part No./Ordering No. WR9HE1250LRFRVBG2632

Rev B

Mechanical drawing



GloTek, Inc. www.globtek.com 186 Veterans Drive, Northvale, NJ 07647 Tel. (201) 784-1000 Fax (201) 784-0111	Drawing Title: GT-81085-1513.5-1.5-W2, ICT/ITE Power Supply, Efficiency Level: V, Case Color/Style: GlobTek Black, Wall Plug-in, Regulated Switchmode AC-DC Power Supply AC Adaptor, Input Rating: 100-240V , 50/60Hz, N. America NEMA 1-15 Fixed , Output Rating: 15W, 12.0V@1.25A, Output Configuration: 1830 mm, 18/1C + Shield Cond, UL 1185, Female Barrel 5.5*2.5*11mm, Right Angle w/ Spring Clip & Locking Notch or Equal, Ferrite: None, GlobTek Black, GT Cord # C0929, Pin Out: Center Positive (+V), symbol compliant with IEC 60417 symbol no. 5926, Blades/Input Cord: Not Applicable, Approvals: RoHS; WEEE; China RoHS; Double Insulation; CB 60950; Level V; EC; cULus; IP41; LPS 60950; PSE; Designed to meet EN 60601-1; Level 3;	
	Model No. GT-81085-1513.5-1.5-W2	
	Part No./Ordering No. WR9HE1250LRFRVBG2632	Rev B

INPUT CONFIGURATION

[Alternate grounding configurations](#) available upon request.

Blades/Cord Included:N/A:Not Applicable

Blades/Cord Installed:FBNA2:Fixed Blades North American 1-15P

NEMA 1-15P, North America Blades, Class II 2 Conductors

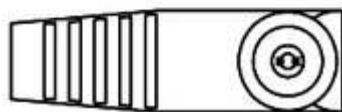
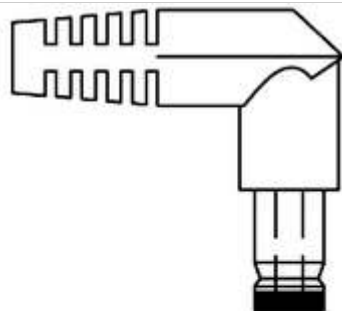
All NEMA 1 devices are two-wire non-grounding devices (hot-neutral) rated for 125 V maximum. NEMA 1-15P plugs have two parallel flat blades, 0.25 inches (6.35 mm) wide, 0.06 inches (1.524 mm) thick, 0.625-0.718 inches (15.875–18.256 mm) long, and spaced 0.5 inches (12.7 mm) apart.

GlobTek, Inc. www.globtek.com 186 Veterans Drive, Northvale, NJ 07647 Tel. (201) 784-1000 Fax (201) 784-0111	Drawing Title: GT-81085-1513.5-1.5-W2, ICT/ITE Power Supply, Efficiency Level: V, Case Color/Style: GlobTek Black, Wall Plug-in, Regulated Switchmode AC-DC Power Supply AC Adaptor, Input Rating: 100-240V , 50/60Hz, N. America NEMA 1-15 Fixed , Output Rating: 15W, 12.0V@1.25A, Output Configuration: 1830 mm, 18/1C + Shield Cond, UL 1185, Female Barrel 5.5*2.5*11mm, Right Angle w/ Spring Clip & Locking Notch or Equal, Ferrite: None, GlobTek Black, GT Cord # C0929, Pin Out: Center Positive (+V), symbol compliant with IEC 60417 symbol no. 5926, Blades/Input Cord: Not Applicable, Approvals: RoHS; WEEE; China RoHS; Double Insulation; CB 60950; Level V; EC; cULus; IP41; LPS 60950; PSE; Designed to meet EN 60601-1; Level 3;	
	Model No. GT-81085-1513.5-1.5-W2	
	Part No./Ordering No. WR9HE1250LRFRVBG2632	Rev B

OUTPUT CORD AND CONNECTOR: LRC/C0929

ACTUAL CONNECTORS, OVERMOLDS, FERRITES MAY VARY SLIGHTLY FROM THE PICTURE BELOW

CABLE TYPE	UL 1185
CABLE LENGTH (mm)	1830
CABLE TOLERANCE (mm)	+150,-0
WIRE GAUGE (AWG)	18
CONDUCTORS	1C + Shield
HANK DIMENSION (mm)	80 +10, -10
CABLE / CONNECTOR OVERMOLD COLOR	GlobTek Black
FERRITE TYPE AND DIMENSION	None
FERRITE NUMBER OF TURNS (Definition)	N/A
FERRITE DIMENSION FROM STRAIN RELIEF	N/A
FERRITE DIMENSION FROM PLUG	N/A
PLUG TYPE	Female Barrel 5.5*2.5*11mm, Right Angle w/ Spring Clip & Locking Notch or Equal
OVER MOLD ORIENTATION	Right Angle
CONNECTOR PIN OUT	Center Positive (+V), symbol compliant with IEC 60417 symbol no. 5926



ADDITIONAL OUTPUT PLUG OPTIONS ARE AVAILABLE AT <https://www.globtek.com/connectors/>
STANDARD PLUGS AND CONNECTORS CAN BE SEEN ONLINE AT <https://www.globtek.com/connectors/>
CALCULATE VOLTAGE REGULATION/DROP WITH OUR ONLINE CALCULATOR: <https://en.globtek.com/output-cable-regulation-calculator/>

<p>GlobTek, Inc. www.globtek.com 186 Veterans Drive, Northvale, NJ 07647 Tel. (201) 784-1000 Fax (201) 784-0111</p>	<p>Drawing Title: GT-81085-1513.5-1.5-W2, ICT/ITE Power Supply, Efficiency Level: V, Case Color/Style: GlobTek Black, Wall Plug-in, Regulated Switchmode AC-DC Power Supply AC Adaptor, Input Rating: 100-240V , 50/60Hz, N. America NEMA 1-15 Fixed , Output Rating: 15W, 12.0V@1.25A, Output Configuration: 1830 mm, 18/1C + Shield Cond, UL 1185, Female Barrel 5.5*2.5*11mm, Right Angle w/ Spring Clip & Locking Notch or Equal, Ferrite: None, GlobTek Black, GT Cord # C0929, Pin Out: Center Positive (+V), symbol compliant with IEC 60417 symbol no. 5926, Blades/Input Cord: Not Applicable, Approvals: RoHS; WEEE; China RoHS; Double Insulation; CB 60950; Level V; EC; cULus; IP41; LPS 60950; PSE; Designed to meet EN 60601-1; Level 3;</p>
	<p>Model No. GT-81085-1513.5-1.5-W2</p>
	<p>Part No./Ordering No. WR9HE1250LRFRVBG2632 Rev B</p>

OUTPUT CONNECTOR HOOK UP

TO ADDRESS SYSTEM-LEVEL EMI CONCERNS, FERRITE CHOKES/BEADS MAY BE ADDED/REVISED UPON REQUEST. A SAMPLE KIT OF GLOBTEK'S STANDARD FERRITES IS AVAILABLE UNDER GLOBTEK P/N: EMI-MITIGATION-KIT1

FOR ADDITIONAL INFORMATION, PLEASE READ OUR WHITE PAPER AT:

<https://en.globtek.com/technical-articles/ferrite-kit-radiated-emi-suppression-kit-for-globtek-power-supplies-cable-assemblies>

GlobTek, Inc. www.globtek.com 186 Veterans Drive, Northvale, NJ 07647 Tel. (201) 784-1000 Fax (201) 784-0111	Drawing Title: GT-81085-1513.5-1.5-W2, ICT/ITE Power Supply, Efficiency Level: V, Case Color/Style: GlobTek Black, Wall Plug-in, Regulated Switchmode AC-DC Power Supply AC Adaptor, Input Rating: 100-240V~, 50/60Hz, N. America NEMA 1-15 Fixed, Output Rating: 15W, 12.0V@1.25A, Output Configuration: 1830 mm, 18/1C + Shield Cond, UL 1185, Female Barrel 5.5*2.5*11mm, Right Angle w/ Spring Clip & Locking Notch or Equal, Ferrite: None, GlobTek Black, GT Cord # C0929, Pin Out: Center Positive (+V), symbol compliant with IEC 60417 symbol no. 5926, Blades/Input Cord: Not Applicable, Approvals: RoHS; WEEE; China RoHS; Double Insulation; CB 60950; Level V; EC; cULus; IP41; LPS 60950; PSE; Designed to meet EN 60601-1; Level 3;	
	Model No. GT-81085-1513.5-1.5-W2	
	Part No./Ordering No. WR9HE1250LRFRVBG2632	Rev B

LABEL:L-1357

LABEL P/N	WR9HE1250LRFRVBG2632
MATERIAL	Flat Thermal Transfer, Imprintable, Polyester Label and/or Pad Printed and/or Molded, and/or Laser Engraved in the case
BACKGROUND COLOR	Black if housing is Black, White or Silver if housing is White or Gray.
TEXT COLOR	White or Silver if label is Black Background for Black housing. Black if label is White or Silver background and Housing is White or Gray.
LABEL WIDTH (mm)	33.8
LABEL HEIGHT (mm)	16.3
SPECIAL BARCODE LABEL MATERIAL	No

Below is the minimum information which will appear on the label. NOTE: in the logo area additional/actual positioning of symbols and text is subjected to change as per agency updates/requirements or additional model approvals become available.



- A=ICT/ITE Power Supply
- B=P/N: (料号) WR9HE1250LRFRVBG2632
- C=Model (型号) GT-81085-1513.5-1.5-W2
- D=Input (输入) 100-240V~, 50/60Hz, 0.5A
- E=Output (输出) 12.0 V \equiv 1.25 A, 15.00W

GlobTek, Inc. www.globtek.com 186 Veterans Drive, Northvale, NJ 07647 Tel. (201) 784-1000 Fax (201) 784-0111	Drawing Title: GT-81085-1513.5-1.5-W2, ICT/ITE Power Supply, Efficiency Level: V, Case Color/Style: GlobTek Black, Wall Plug-in, Regulated Switchmode AC-DC Power Supply AC Adaptor, Input Rating: 100-240V , 50/60Hz, N. America NEMA 1-15 Fixed , Output Rating: 15W, 12.0V@1.25A, Output Configuration: 1830 mm, 18/1C + Shield Cond, UL 1185, Female Barrel 5.5*2.5*11mm, Right Angle w/ Spring Clip & Locking Notch or Equal, Ferrite: None, GlobTek Black, GT Cord # C0929, Pin Out: Center Positive (+V), symbol compliant with IEC 60417 symbol no. 5926, Blades/Input Cord: Not Applicable, Approvals: RoHS; WEEE; China RoHS; Double Insulation; CB 60950; Level V; EC; cULus; IP41; LPS 60950; PSE; Designed to meet EN 60601-1; Level 3;	
	Model No. GT-81085-1513.5-1.5-W2	
	Part No./Ordering No. WR9HE1250LRFRVBG2632	Rev B

AGENCY ONLINE DOCUMENTS	http://www.globtek.info/certs/GT-81085/
CE EC-Declaration for Medical	Contact GlobTek for more information
CE EC-Declaration for Industrial/Commercial/ITE	http://globtek.force.com/models/ec_declaration_product?id=01ta0000003fG8Y&i=4
CE EC-Declaration for Household	Contact GlobTek for more information
UKCA-Declaration for Medical	Contact GlobTek for more information
UKCA-Declaration for Industrial/Commercial/ITE	http://globtek.force.com/models/ukca_declaration_product?id=01ta0000003fG8Y&i=4
UKCA-Declaration for Household	Contact GlobTek for more information
Morocco SDoC Declaration	https://globtek.secure.force.com/models/Morocco_SDoC_Declaration?id=a0O30000007P7YyEAK
RoHS/RoHS3 Declaration	https://www.globtek.com/pdf/rohs_cert/01ta0000003fG8YAAU
REACH Declaration	https://www.globtek.com/pdf/iso_certificates/REACH.pdf
Conflict Minerals Declaration	https://www.globtek.com/pdf/conflict-minerals.pdf
Prop 65 Statement	https://en.globtek.com/prop-65-statement.pdf
IPXY rating is based on 3rd party testing and customers should check suitability and test system level IPXY rating before ordering.	

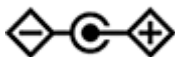
Regulatory Certifications/Label Markings

Below follows a link to the latest regulatory certifications and marks for this specific product. National standards as well as certification schemes are constantly changing and so is the set of certification marks and symbols applicable to this product. Various standards, marks and symbols, and certificates are subject to change at any time without notice.

Additional standards or unique country certifications are available upon request. Please contact Globtek to request a quotation.

LATEST PRODUCT/MODEL CERTIFICATIONS: <https://www.globtek.com/datasheet/w70463>

AGENCY ONLINE DOCUMENTS <http://www.globtek.info/certs/GT-81085/>



Center Positive (+V), symbol compliant with IEC 60417 symbol no. 5926

GloTek, Inc. www.globtek.com 186 Veterans Drive, Northvale, NJ 07647 Tel. (201) 784-1000 Fax (201) 784-0111	Drawing Title: GT-81085-1513.5-1.5-W2, ICT/ITE Power Supply, Efficiency Level: V, Case Color/Style: GlobTek Black, Wall Plug-in, Regulated Switchmode AC-DC Power Supply AC Adaptor, Input Rating: 100-240V , 50/60Hz, N. America NEMA 1-15 Fixed , Output Rating: 15W, 12.0V@1.25A, Output Configuration: 1830 mm, 18/1C + Shield Cond, UL 1185, Female Barrel 5.5*2.5*11mm, Right Angle w/ Spring Clip & Locking Notch or Equal, Ferrite: None, GlobTek Black, GT Cord # C0929, Pin Out: Center Positive (+V), symbol compliant with IEC 60417 symbol no. 5926, Blades/Input Cord: Not Applicable, Approvals: RoHS; WEEE; China RoHS; Double Insulation; CB 60950; Level V; EC; cULus; IP41; LPS 60950; PSE; Designed to meet EN 60601-1; Level 3;	
	Model No. GT-81085-1513.5-1.5-W2	
	Part No./Ordering No. WR9HE1250LRFRVBG2632	Rev B

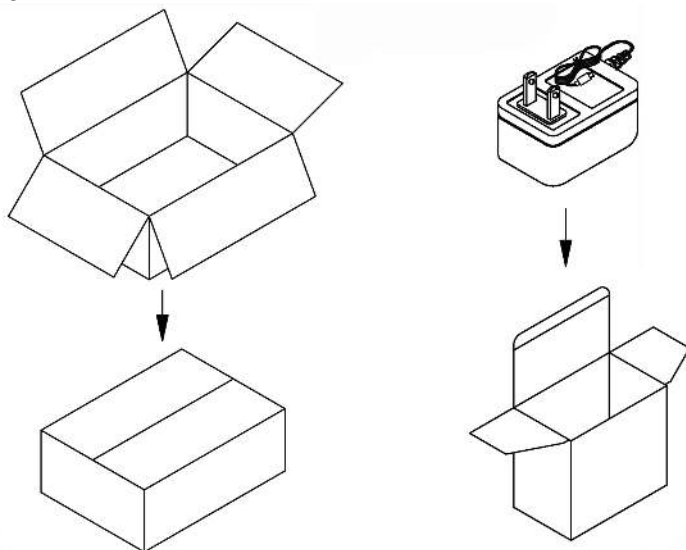
PACKAGING

Packing Spec P/N	Standard WPI Q-NA installed, Individually Box
Box Qty	120
Gift Box Size (mm)	90 x 66 x 50
Gift Box Color	White
Master Carton Size (mm)	470 x 320 x 300
Master Carton Cubic Volume (m³)	0.05
Master GW (Kg)	15.6 kg
BLADES INCLUDED	N/A: Not Applicable
BLADE/CORD INSTALLED	FBNA2: Fixed Blades North American 1-15P
USER MANUAL*	
USER MANUAL WEB LINK	

* This specification sheet is considered the user manual for all applications. It is expected that the buyer of this product will use it to formulate their own user manual for their end product and a user manual specifically for the power adapter is not usually required. If a user manual is not specifically listed above then none will be provided with this unit.

Power Supply & Blade(s) packaged together; see above "**Blades Included**" for actual blades included in the gift box.

If specific packaging is required, this section must specify all requirements and note "no exceptions". If this section does not specify packaging, it is subject to change without notice at GlobTek's discretion



<p>GlobTek, Inc. www.globtek.com 186 Veterans Drive, Northvale, NJ 07647 Tel. (201) 784-1000 Fax (201) 784-0111</p>	<p>Drawing Title: GT-81085-1513.5-1.5-W2, ICT/ITE Power Supply, Efficiency Level: V, Case Color/Style: GlobTek Black, Wall Plug-in, Regulated Switchmode AC-DC Power Supply AC Adaptor, Input Rating: 100-240V , 50/60Hz, N. America NEMA 1-15 Fixed , Output Rating: 15W, 12.0V@1.25A, Output Configuration: 1830 mm, 18/1C + Shield Cond, UL 1185, Female Barrel 5.5*2.5*11mm, Right Angle w/ Spring Clip & Locking Notch or Equal, Ferrite: None, GlobTek Black, GT Cord # C0929, Pin Out: Center Positive (+V), symbol compliant with IEC 60417 symbol no. 5926, Blades/Input Cord: Not Applicable, Approvals: RoHS; WEEE; China RoHS; Double Insulation; CB 60950; Level V; EC; cULus; IP41; LPS 60950; PSE; Designed to meet EN 60601-1; Level 3;</p>
	<p>Model No. GT-81085-1513.5-1.5-W2</p>
	<p>Part No./Ordering No. WR9HE1250LRFRVBG2632</p>
	<p>Rev B</p>

INSTRUCTIONS TO THE OEM SYSTEMS ENGINEER

It is the responsibility of the OEM systems engineer to provide the end system user instructions and warnings for the use of this product in the end system.

If an input cord is required for this product, AC Mains voltage should be provided to the power supply by a power supply cord approved to the national standards of the country in which it will be used.

This product is not designed to be repaired. No serviceable parts inside. A blown internal fuse is an indication of catastrophic failure of circuit component(s). If a Failure Analysis is required for a failed power supply/battery charger, please return the damaged unit to GlobTek for an accurate determination of the root cause of the failure.

EMC Compliance of the complete OEM product, including the GlobTek power supply/battery charger needs to be verified by the OEM systems engineer.

INSTRUCTION SHEET

N/A

<p>GlobTek, Inc. www.globtek.com 186 Veterans Drive, Northvale, NJ 07647 Tel. (201) 784-1000 Fax (201) 784-0111</p>	<p>Drawing Title: GT-81085-1513.5-1.5-W2, ICT/ITE Power Supply, Efficiency Level: V, Case Color/Style: GlobTek Black, Wall Plug-in, Regulated Switchmode AC-DC Power Supply AC Adaptor, Input Rating: 100-240V , 50/60Hz, N. America NEMA 1-15 Fixed , Output Rating: 15W, 12.0V@1.25A, Output Configuration: 1830 mm, 18/1C + Shield Cond, UL 1185, Female Barrel 5.5*2.5*11mm, Right Angle w/ Spring Clip & Locking Notch or Equal, Ferrite: None, GlobTek Black, GT Cord # C0929, Pin Out: Center Positive (+V), symbol compliant with IEC 60417 symbol no. 5926, Blades/Input Cord: Not Applicable, Approvals: RoHS; WEEE; China RoHS; Double Insulation; CB 60950; Level V; EC; cULus; IP41; LPS 60950; PSE; Designed to meet EN 60601-1; Level 3;</p>
	<p>Model No. GT-81085-1513.5-1.5-W2</p>
	<p>Part No./Ordering No. WR9HE1250LRFRVBG2632</p>
	<p>Rev B</p>

