

# 128K x 8 Static RAM

## Features

- **High speed**
  - $t_{AA} = 12 \text{ ns}$
- **Low active power**
  - 495 mW (max. 12 ns)
- **Low CMOS standby power**
  - 55 mW (max.) 4 mW
- **2.0V Data Retention**
- **Automatic power-down when deselected**
- **TTL-compatible inputs and outputs**
- **Easy memory expansion with  $\overline{CE}_1$ ,  $\overline{CE}_2$ , and  $\overline{OE}$  options**

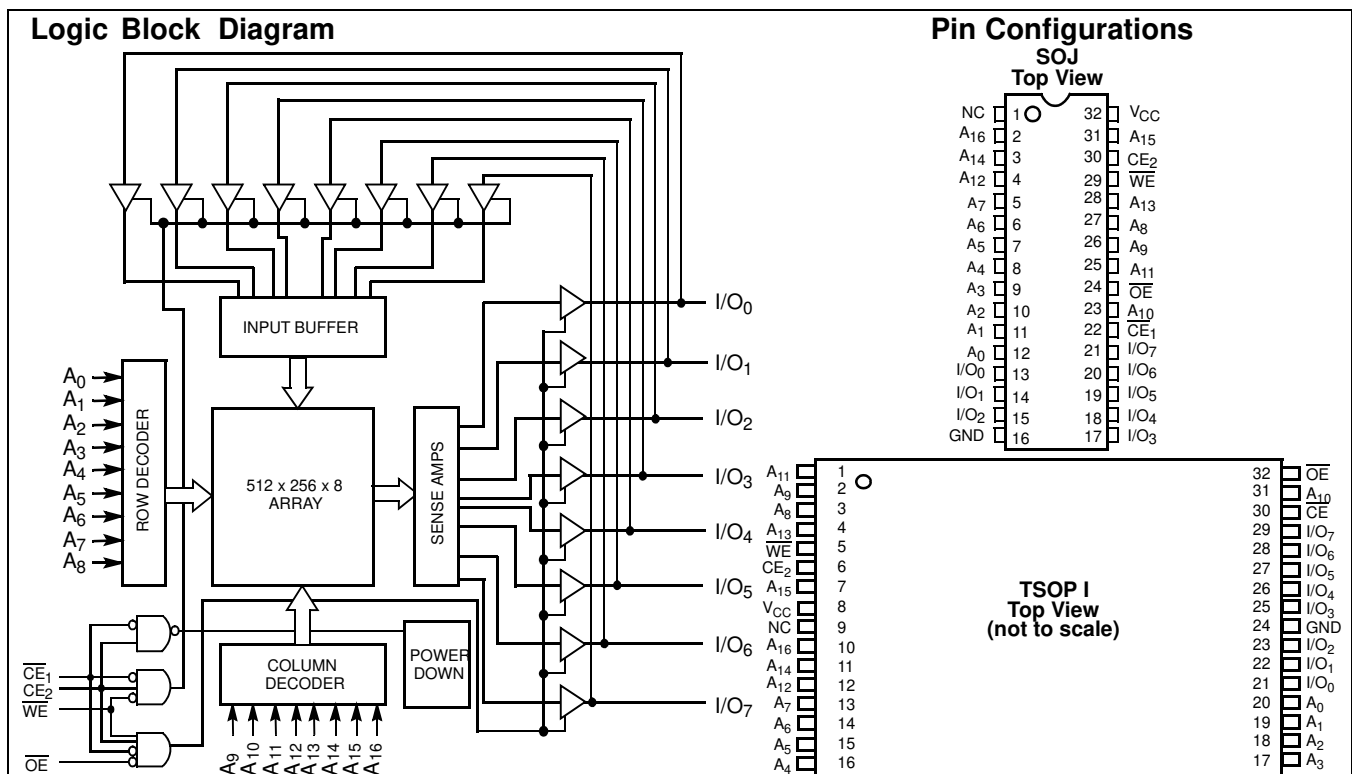
## Functional Description<sup>[1]</sup>

The CY7C109BN/CY7C1009BN is a high-performance CMOS static RAM organized as 131,072 words by 8 bits. Easy memory expansion is provided by an active LOW Chip Enable ( $\overline{CE}_1$ ), an active HIGH Chip Enable ( $\overline{CE}_2$ ), an active LOW Output Enable ( $\overline{OE}$ ), and three-state drivers. Writing to the device is accomplished by taking Chip Enable One ( $\overline{CE}_1$ ) and Write Enable (WE) inputs LOW and Chip Enable Two ( $\overline{CE}_2$ ) input HIGH. Data on the eight I/O pins (I/O<sub>0</sub> through I/O<sub>7</sub>) is then written into the location specified on the address pins (A<sub>0</sub> through A<sub>16</sub>).

Reading from the device is accomplished by taking Chip Enable One ( $\overline{CE}_1$ ) and Output Enable ( $\overline{OE}$ ) LOW while forcing Write Enable (WE) and Chip Enable Two ( $\overline{CE}_2$ ) HIGH. Under these conditions, the contents of the memory location specified by the address pins will appear on the I/O pins.

The eight input/output pins (I/O<sub>0</sub> through I/O<sub>7</sub>) are placed in a high-impedance state when the device is deselected ( $\overline{CE}_1$  HIGH or  $\overline{CE}_2$  LOW), the outputs are disabled ( $\overline{OE}$  HIGH), or during a write operation ( $\overline{CE}_1$  LOW,  $\overline{CE}_2$  HIGH, and WE LOW).

The CY7C109BN is available in standard 400-mil-wide SOJ and 32-pin TSOP type I packages. The CY7C1009BN is available in a 300-mil-wide SOJ package. The CY7C1009BN and CY7C109BN are functionally equivalent in all other respects.



**Note:**

1. For guidelines on SRAM system design, please refer to the 'System Design Guidelines' Cypress application note, available on the internet at [www.cypress.com](http://www.cypress.com).

**Selection Guide**

		7C109B-12 7C1009B-12	7C109B-15 7C1009B-15	7C109B-20 7C1009B-20	Unit
Maximum Access Time		12	15	20	ns
Maximum Operating Current		90	80	75	mA
Maximum CMOS Standby Current		10	10	10	mA
	L	2	2	2	mA

**Maximum Ratings**

(Above which the useful life may be impaired. For user guidelines, not tested.)

Storage Temperature ..... -65°C to +150°C

Ambient Temperature with Power Applied ..... -55°C to +125°C

Supply Voltage on V<sub>CC</sub> to Relative GND<sup>[2]</sup> .... -0.5V to +7.0V

DC Voltage Applied to Outputs in High Z State<sup>[2]</sup> ..... -0.5V to V<sub>CC</sub> + 0.5V

DC Input Voltage<sup>[2]</sup> ..... -0.5V to V<sub>CC</sub> + 0.5V

Current into Outputs (LOW) ..... 20 mA

Static Discharge Voltage ..... >2001V (per MIL-STD-883, Method 3015)

Latch-Up Current ..... >200 mA

**Operating Range**

Range	Ambient Temperature	V <sub>CC</sub>
Commercial	0°C to +70°C	5V ± 10%
Industrial	-40°C to +85°C	5V ± 10%

**Electrical Characteristics** Over the Operating Range

Parameter	Description	Test Conditions	7C109BN-12 7C1009BN-12		7C109BN-15 7C1009BN-15		7C109BN-20 7C1009BN-20		Unit
			Min.	Max.	Min.	Max.	Min.	Max.	
V <sub>OH</sub>	Output HIGH Voltage	V <sub>CC</sub> = Min., I <sub>OH</sub> = -4.0 mA	2.4		2.4		2.4		V
V <sub>OL</sub>	Output LOW Voltage	V <sub>CC</sub> = Min., I <sub>OL</sub> = 8.0 mA		0.4		0.4		0.4	V
V <sub>IH</sub>	Input HIGH Voltage		2.2	V <sub>CC</sub> + 0.3	2.2	V <sub>CC</sub> + 0.3	2.2	V <sub>CC</sub> + 0.3	V
V <sub>IL</sub>	Input LOW Voltage <sup>[2]</sup>		-0.3	0.8	-0.3	0.8	-0.3	0.8	V
I <sub>IX</sub>	Input Leakage Current	GND ≤ V <sub>I</sub> ≤ V <sub>CC</sub>	-1	+1	-1	+1	-1	+1	µA
I <sub>OZ</sub>	Output Leakage Current	GND ≤ V <sub>I</sub> ≤ V <sub>CC</sub> , Output Disabled	-5	+5	-5	+5	-5	+5	µA
I <sub>OS</sub>	Output Short Circuit Current <sup>[3]</sup>	V <sub>CC</sub> = Max., V <sub>OUT</sub> = GND		-300		-300		-300	mA
I <sub>CC</sub>	V <sub>CC</sub> Operating Supply Current	V <sub>CC</sub> = Max., I <sub>OUT</sub> = 0 mA, f = f <sub>MAX</sub> = 1/t <sub>RC</sub>		90		80		75	mA
I <sub>SB1</sub>	Automatic CE Power-Down Current —TTL Inputs	Max. V <sub>CC</sub> , CE <sub>1</sub> ≥ V <sub>IH</sub> or CE <sub>2</sub> ≤ V <sub>IL</sub> , V <sub>IN</sub> ≥ V <sub>IH</sub> or V <sub>IN</sub> ≤ V <sub>IL</sub> , f = f <sub>MAX</sub>		45		40		30	mA
I <sub>SB2</sub>	Automatic CE Power-Down Current —CMOS Inputs	Max. V <sub>CC</sub> , CE <sub>1</sub> ≥ V <sub>CC</sub> - 0.3V, or CE <sub>2</sub> ≤ 0.3V, V <sub>IN</sub> ≥ V <sub>CC</sub> - 0.3V, or V <sub>IN</sub> ≤ 0.3V, f = 0		10		10		10	mA
			L	2		2		2	mA

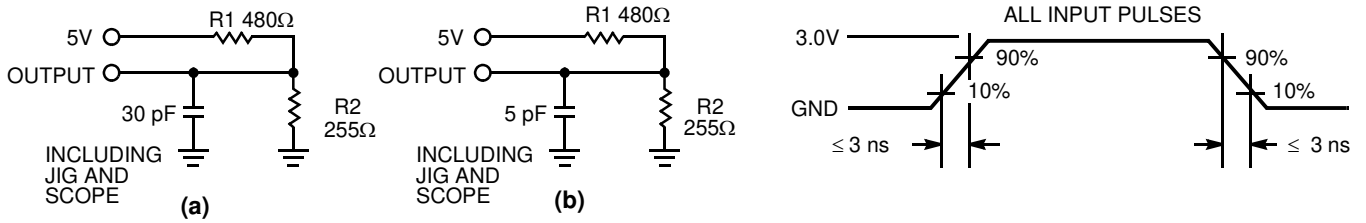
**Capacitance<sup>[4]</sup>**

Parameter	Description	Test Conditions	Max.	Unit
C <sub>IN</sub>	Input Capacitance	T <sub>A</sub> = 25°C, f = 1 MHz, V <sub>CC</sub> = 5.0V	9	pF
C <sub>OUT</sub>	Output Capacitance		8	pF

**Notes:**

- Minimum voltage is -2.0V for pulse durations of less than 20 ns.
- Not more than one output should be shorted at one time. Duration of the short circuit should not exceed 30 seconds.
- Tested initially and after any design or process changes that may affect these parameters.

**AC Test Loads and Waveforms**



Equivalent to: THÉVENIN EQUIVALENT  
 OUTPUT ○ — 167Ω — 1.73V

**Switching Characteristics<sup>[5]</sup> Over the Operating Range**

Parameter	Description	7C109BN-12 7C1009BN-12		7C109BN-15 7C1009BN-15		7C109BN-20 7C1009BN-20		Unit
		Min.	Max.	Min.	Max.	Min.	Max.	
<b>Read Cycle</b>								
t <sub>RC</sub>	Read Cycle Time	12		15		20		ns
t <sub>AA</sub>	Address to Data Valid		12		15		20	ns
t <sub>OHA</sub>	Data Hold from Address Change	3		3		3		ns
t <sub>ACE</sub>	$\overline{CE}_1$ LOW to Data Valid, $CE_2$ HIGH to Data Valid		12		15		20	ns
t <sub>DOE</sub>	$\overline{OE}$ LOW to Data Valid		6		7		8	ns
t <sub>LZOE</sub>	$\overline{OE}$ LOW to Low Z	0		0		0		ns
t <sub>HZOE</sub>	$\overline{OE}$ HIGH to High Z <sup>[6, 7]</sup>		6		7		8	ns
t <sub>LZCE</sub>	$\overline{CE}_1$ LOW to Low Z, $CE_2$ HIGH to Low Z <sup>[7]</sup>	3		3		3		ns
t <sub>HZCE</sub>	$\overline{CE}_1$ HIGH to High Z, $CE_2$ LOW to High Z <sup>[6, 7]</sup>		6		7		8	ns
t <sub>PU</sub>	$\overline{CE}_1$ LOW to Power-Up, $CE_2$ HIGH to Power-Up	0		0		0		ns
t <sub>PD</sub>	$\overline{CE}_1$ HIGH to Power-Down, $CE_2$ LOW to Power-Down		12		15		20	ns
<b>Write Cycle<sup>[8]</sup></b>								
t <sub>WC</sub>	Write Cycle Time <sup>[9]</sup>	12		15		20		ns
t <sub>SCE</sub>	$\overline{CE}_1$ LOW to Write End, $CE_2$ HIGH to Write End	10		12		15		ns
t <sub>AW</sub>	Address Set-Up to Write End	10		12		15		ns
t <sub>HA</sub>	Address Hold from Write End	0		0		0		ns
t <sub>SA</sub>	Address Set-Up to Write Start	0		0		0		ns
t <sub>PWE</sub>	$\overline{WE}$ Pulse Width	10		12		12		ns
t <sub>SD</sub>	Data Set-Up to Write End	7		8		10		ns
t <sub>HD</sub>	Data Hold from Write End	0		0		0		ns
t <sub>LZWE</sub>	$\overline{WE}$ HIGH to Low Z <sup>[7]</sup>	3		3		3		ns
t <sub>HZWE</sub>	$\overline{WE}$ LOW to High Z <sup>[6, 7]</sup>		6		7		8	ns

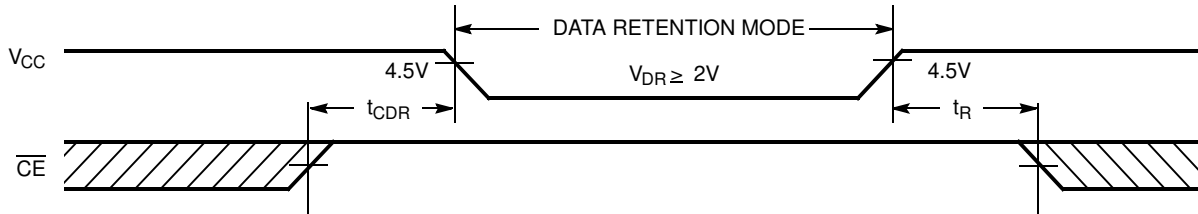
**Notes:**

- Test conditions assume signal transition time of 3 ns or less, timing reference levels of 1.5V, input pulse levels of 0 to 3.0V, and output loading of the specified I<sub>OL</sub>/I<sub>OH</sub> and 30-pF load capacitance.
- t<sub>HZOE</sub>, t<sub>HZCE</sub>, and t<sub>HZWE</sub> are specified with a load capacitance of 5 pF as in part (b) of AC Test Loads. Transition is measured ±500 mV from steady-state voltage.
- At any given temperature and voltage condition, t<sub>HZCE</sub> is less than t<sub>LZCE</sub>, t<sub>HZOE</sub> is less than t<sub>LZOE</sub>, and t<sub>HZWE</sub> is less than t<sub>LZWE</sub> for any given device.
- The internal write time of the memory is defined by the overlap of  $\overline{CE}_1$  LOW,  $CE_2$  HIGH, and  $\overline{WE}$  LOW.  $\overline{CE}_1$  and  $\overline{WE}$  must be LOW and  $CE_2$  HIGH to initiate a write, and the transition of any of these signals can terminate the write. The input data set-up and hold timing should be referenced to the leading edge of the signal that terminates the write.
- The minimum write cycle time for Write Cycle No. 3 ( $\overline{WE}$  controlled,  $\overline{OE}$  LOW) is the sum of t<sub>HZWE</sub> and t<sub>SD</sub>.

**Data Retention Characteristics** Over the Operating Range (Low Power version only)

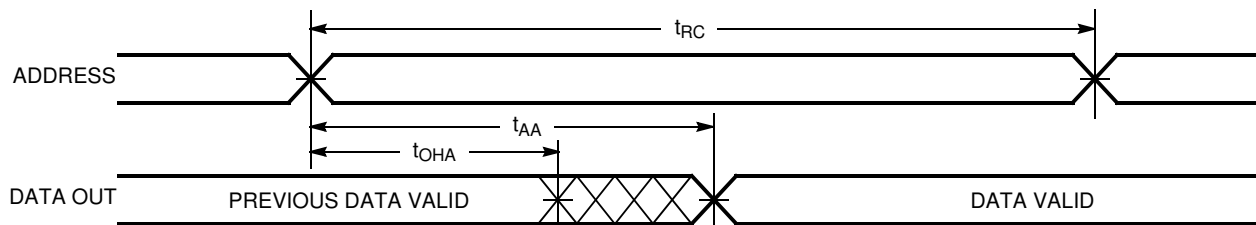
Parameter	Description	Conditions	Min.	Max.	Unit
$V_{DR}$	$V_{CC}$ for Data Retention	No input may exceed $V_{CC} + 0.5V$	2.0		V
$I_{CCDR}$	Data Retention Current	$V_{CC} = V_{DR} = 2.0V$ , $CE_1 \geq V_{CC} - 0.3V$ or $CE_2 \leq 0.3V$ ,		150	$\mu A$
$t_{CDR}$	Chip Deselect to Data Retention Time	$V_{IN} \geq V_{CC} - 0.3V$ or $V_{IN} \leq 0.3V$	0		ns
$t_R$	Operation Recovery Time		200		$\mu s$

**Data Retention Waveform**

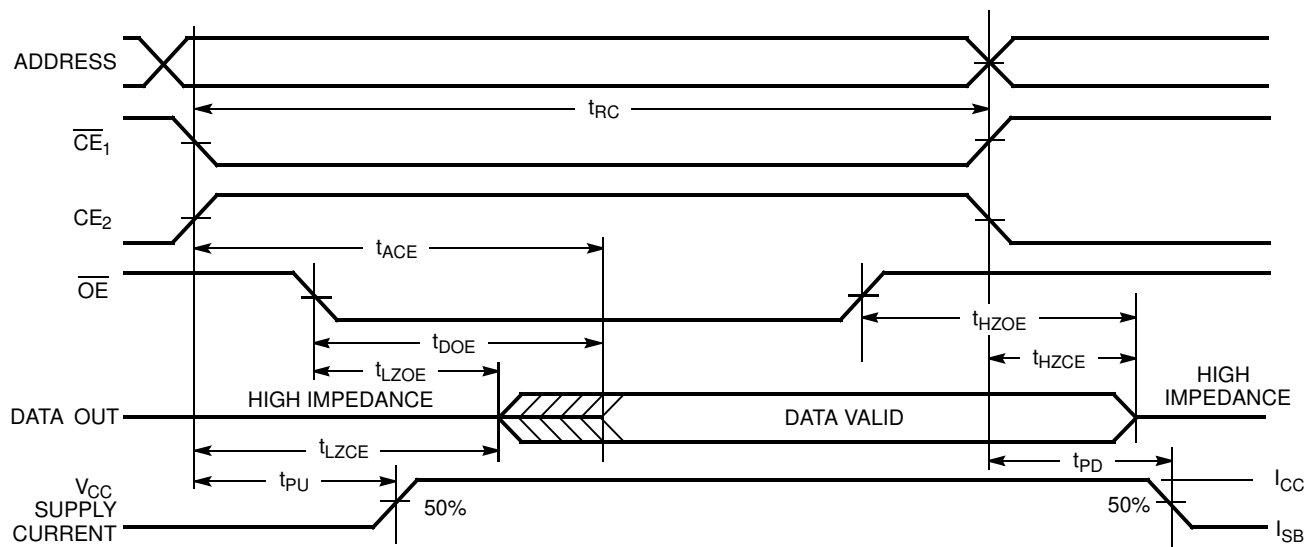


**Switching Waveforms**

**Read Cycle No. 1** [10, 11]



**Read Cycle No. 2 (OE Controlled)** [11, 12]

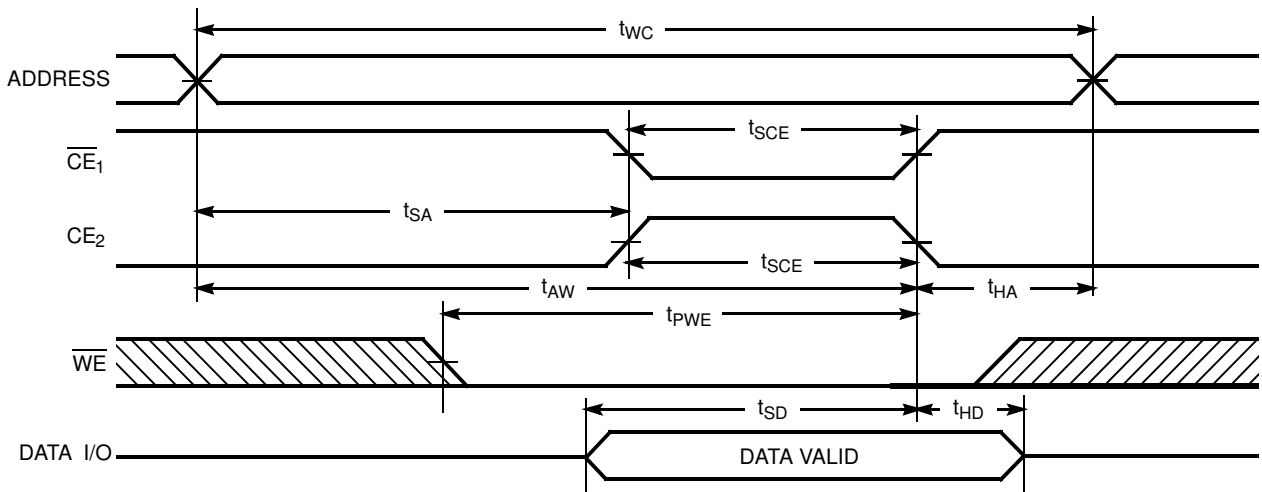


**Notes:**

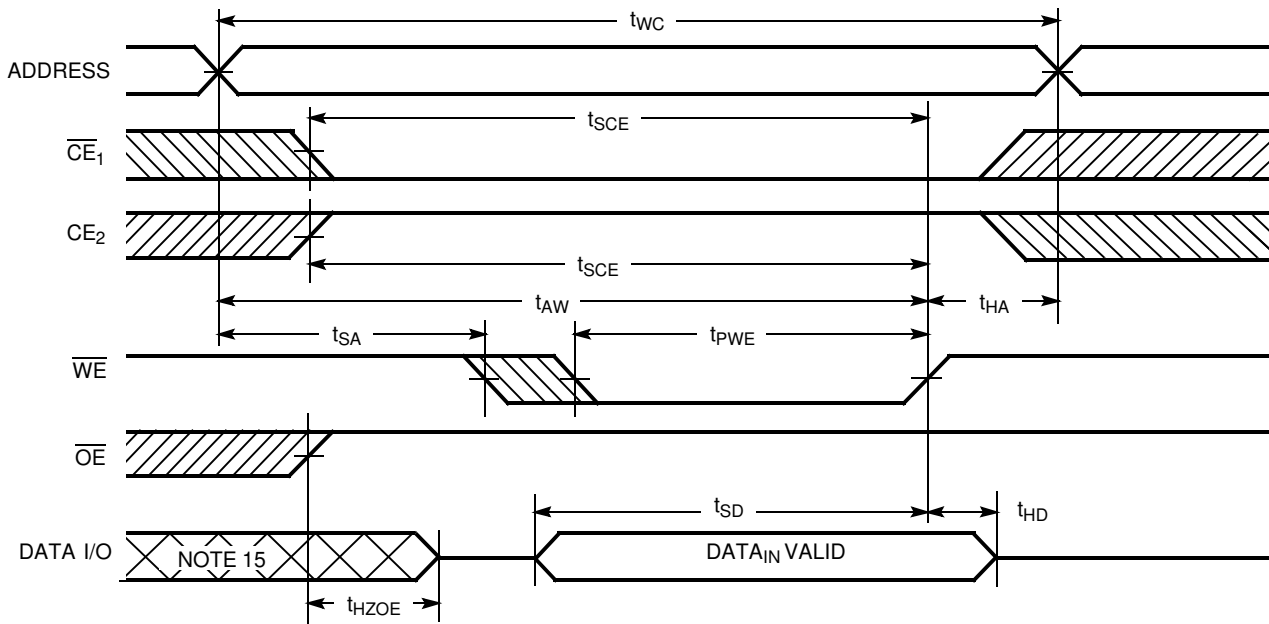
- 10. Device is continuously selected.  $\overline{OE}$ ,  $\overline{CE}_1 = V_{IL}$ ,  $CE_2 = V_{IH}$ .
- 11.  $\overline{WE}$  is HIGH for read cycle.
- 12. Address valid prior to or coincident with  $\overline{CE}_1$  transition LOW and  $CE_2$  transition HIGH.

**Switching Waveforms (continued)**

**Write Cycle No. 1 ( $\overline{CE}_1$  or  $CE_2$  Controlled)<sup>[13, 14]</sup>**



**Write Cycle No. 2 ( $\overline{WE}$  Controlled,  $\overline{OE}$  HIGH During Write)<sup>[13, 14]</sup>**

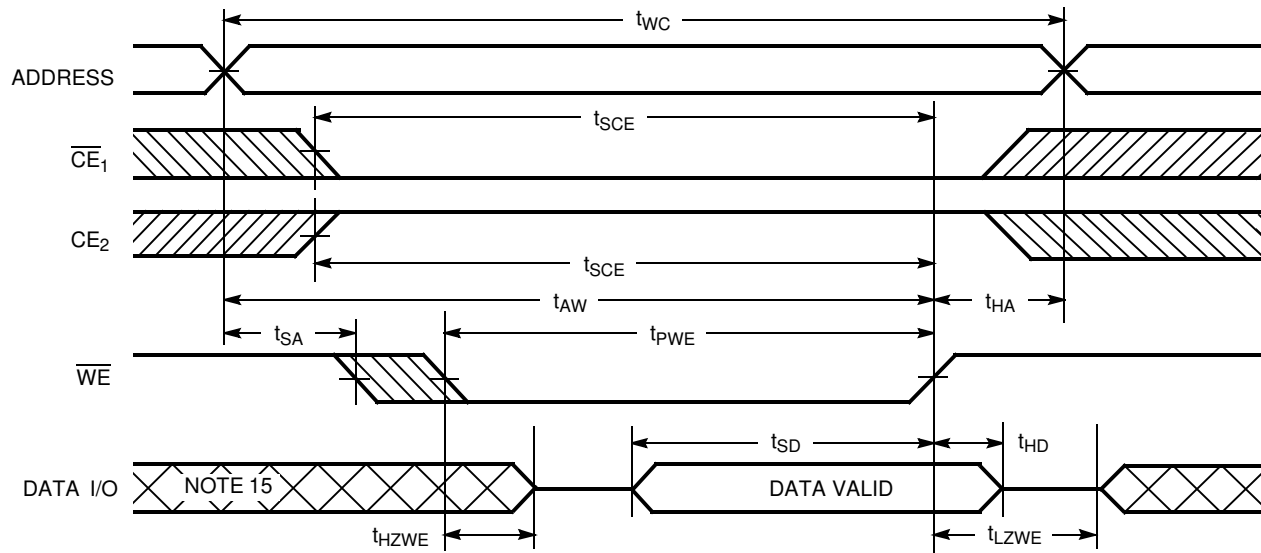


**Notes:**

- 13. Data I/O is high impedance if  $\overline{OE} = V_{IH}$ .
- 14. If  $\overline{CE}_1$  goes HIGH or  $CE_2$  goes LOW simultaneously with  $\overline{WE}$  going HIGH, the output remains in a high-impedance state.
- 15. During this period the I/Os are in the output state and input signals should not be applied.

**Switching Waveforms** (continued)

Write Cycle No. 3 ( $\overline{WE}$  Controlled,  $\overline{OE}$  LOW)<sup>[14]</sup>



**Truth Table**

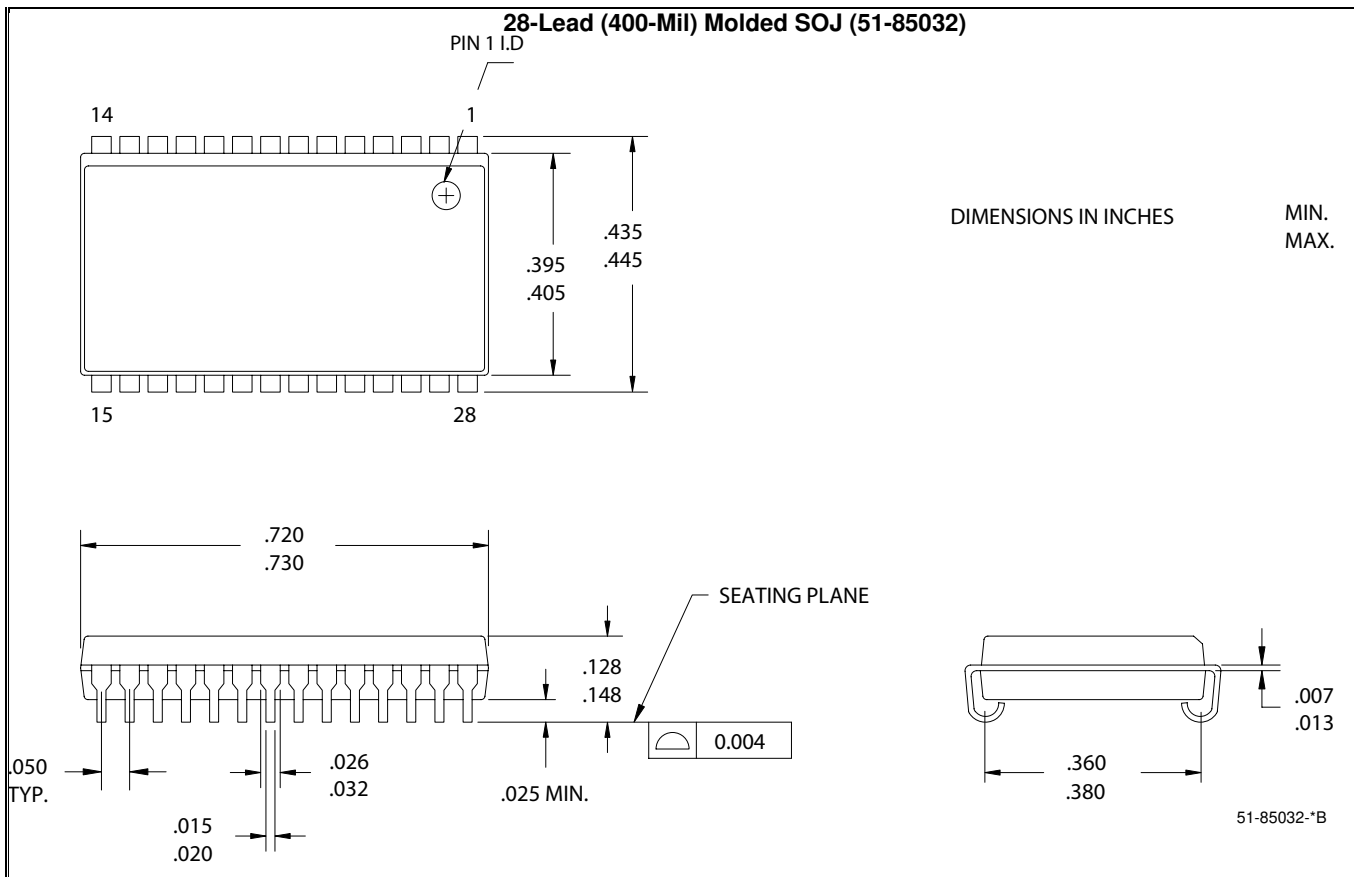
$\overline{CE}_1$	$\overline{CE}_2$	$\overline{OE}$	$\overline{WE}$	I/O <sub>0</sub> -I/O <sub>7</sub>	Mode	Power
H	X	X	X	High Z	Power-Down	Standby ( $I_{SB}$ )
X	L	X	X	High Z	Power-Down	Standby ( $I_{SB}$ )
L	H	L	H	Data Out	Read	Active ( $I_{CC}$ )
L	H	X	L	Data In	Write	Active ( $I_{CC}$ )
L	H	H	H	High Z	Selected, Outputs Disabled	Active ( $I_{CC}$ )

**Ordering Information**

Speed (ns)	Ordering Code	Package Diagram	Package Type	Operating Range
12	CY7C109BN-12VC	51-85032	32-Lead (400-Mil) Molded SOJ	Commercial
	CY7C1009BN-12VC	51-85031	32-Lead (300-Mil) Molded SOJ	
	CY7C109BN-12ZC	51-85056	32-Lead TSOP Type I	
	CY7C109BN-12ZXC	51-85056	32-Lead TSOP Type I (Pb-free)	
15	CY7C109BNL-15VC	51-85032	32-Lead (400-Mil) Molded SOJ	Commercial
	CY7C109BN-15VC	51-85032	32-Lead (400-Mil) Molded SOJ	
	CY7C1009BN-15VC	51-85031	32-Lead (300-Mil) Molded SOJ	
	CY7C109BN-15ZC	51-85056	32-Lead TSOP Type I	
	CY7C109BN-15ZXC	51-85056	32-Lead TSOP Type I (Pb-free)	
	CY7C109BN-15VI	51-85032	32-Lead (400-Mil) Molded SOJ	Industrial
	CY7C1009BN-15VI	51-85031	32-Lead (300-Mil) Molded SOJ	
20	CY7C109BN-20VC	51-85032	32-Lead (400-Mil) Molded SOJ	Commercial
	CY7C1009BN-20VC	51-85031	32-Lead (300-Mil) Molded SOJ	
	CY7C109BN-20VI	51-85032	32-Lead (400-Mil) Molded SOJ	Industrial
	CY7C109BN-20ZC	51-85056	32-Lead TSOP Type I	Commercial
	CY7C109BN-20ZXC	51-85056	32-Lead TSOP Type I (Pb-free)	

Please contact local sales representative regarding availability of these parts

**Package Diagrams**

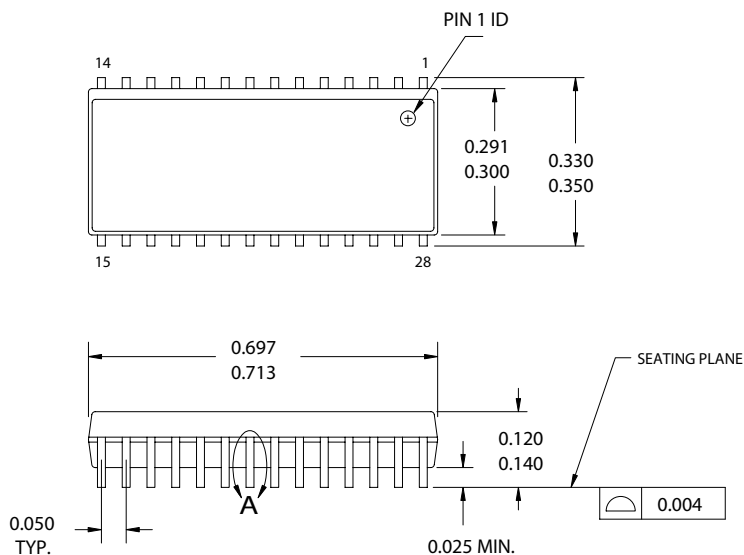


**Package Diagrams** (continued)

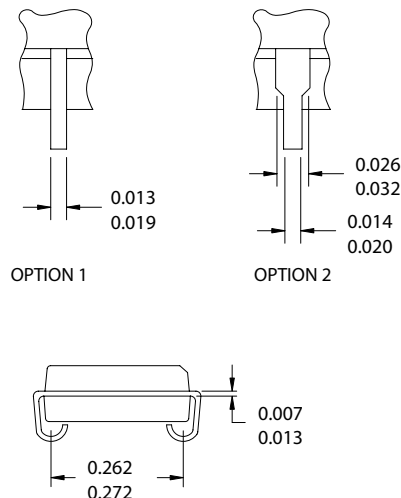
**28-Lead (300-Mil) Molded SOJ (51-85031)**

NOTE :

1. JEDEC STD REF MO088
2. BODY LENGTH DIMENSION DOES NOT INCLUDE MOLD PROTRUSION/END FLASH  
MOLD PROTRUSION/END FLASH SHALL NOT EXCEED 0.006 in (0.152 mm) PER SIDE
3. DIMENSIONS IN INCHES  
MIN.  
MAX.



**DETAIL A**  
**EXTERNAL LEAD DESIGN**

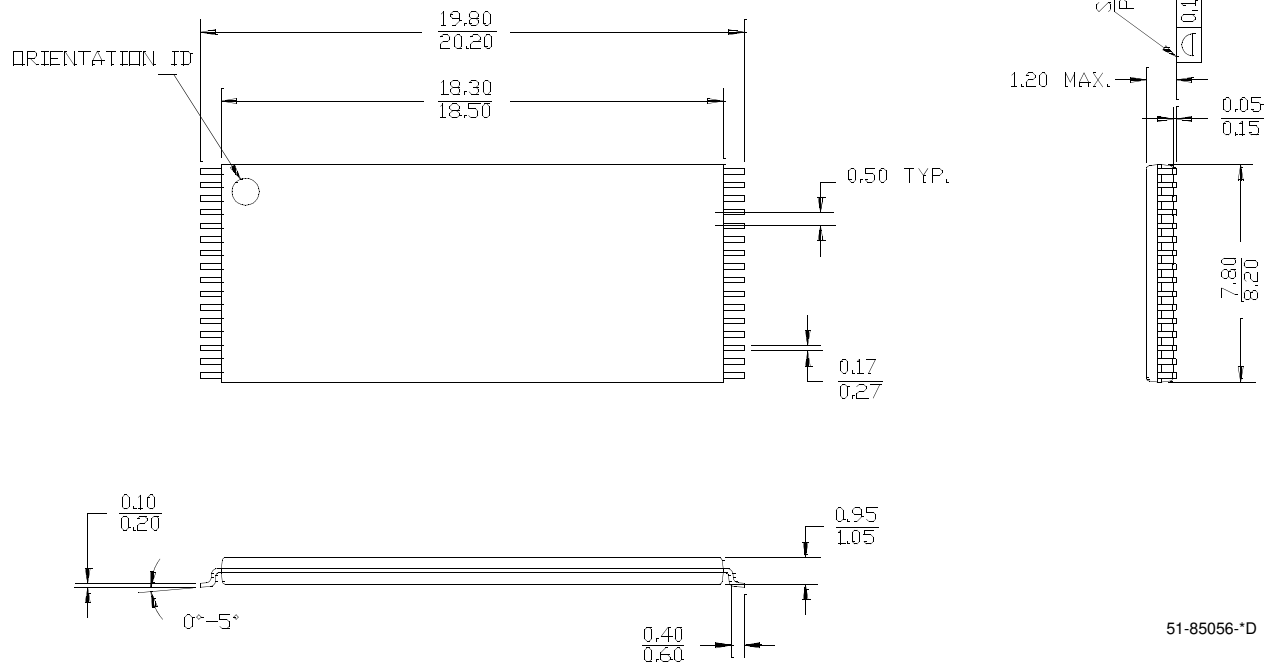


51-85031-°C

**32-Lead TSOP I (8x20 mm) (51-85056)**

DIMENSION IN MM

MIN.  
MAX.



51-85056-°D

All product and company names mentioned in this document may be the trademarks of their respective holders.



## Document History Page

Document Title: CY7C109BN/CY7C1009BN 128K x 8 Static RAM  
Document Number: 001-06430

REV.	ECN NO.	Issue Date	Orig. of Change	Description of Change
**	423847	See ECN	NXR	New Data Sheet